

## 1 Earth points

- ◆ ⇒ [“1.1 Earth points in front part of vehicle”, page 1](#)
- ◆ ⇒ [“1.2 Earth points in middle part of vehicle”, page 16](#)
- ◆ ⇒ [“1.3 Earth points in rear part of vehicle”, page 17](#)
- ◆ ⇒ [“1.4 Earth points on vehicle underbody”, page 23](#)

### 1.1 Earth points in front part of vehicle

- ◆ ⇒ [“1.1.1 Front from left”, page 2](#)
- ◆ ⇒ [“1.1.2 Front from left, additional earth points for vehicles with hybrid drive”, page 4](#)
- ◆ ⇒ [“1.1.3 Front from right”, page 5](#)
- ◆ ⇒ [“1.1.4 Front from right, additional earth points for vehicles with hybrid drive”, page 6](#)
- ◆ ⇒ [“1.1.5 1.4l petrol engine”, page 7](#)
- ◆ ⇒ [“1.1.6 1.5l petrol engine”, page 8](#)
- ◆ ⇒ [“1.1.7 1.8l petrol engine”, page 9](#)
- ◆ ⇒ [“1.1.8 2.0l petrol engine”, page 10](#)
- ◆ ⇒ [“1.1.9 Manual gearbox 0AJ”, page 11](#)
- ◆ ⇒ [“1.1.10 Manual gearbox 02S”, page 12](#)
- ◆ ⇒ [“1.1.11 Manual gearbox, 0BB, 0FB, 02Q”, page 13](#)
- ◆ ⇒ [“1.1.12 Dual clutch gearbox 0CW”, page 14](#)
- ◆ ⇒ [“1.1.13 Dual clutch gearbox, 0DL, 0D9, 0GC”, page 15](#)

Variants of earth points	Chapter	Comment
14 Earth point, on gearbox	⇒ <a href="#">“1.1.9 Manual gearbox 0AJ”, page 11</a>	
14 Earth point, on gearbox	⇒ <a href="#">“1.1.10 Manual gearbox 02S”, page 12</a>	
14 Earth point, on gearbox	⇒ <a href="#">“1.1.11 Manual gearbox, 0BB, 0FB, 02Q”, page 13</a>	
14 Earth point, on gearbox	⇒ <a href="#">“1.1.12 Dual clutch gearbox 0CW”, page 14</a>	
14 Earth point, on gearbox	⇒ <a href="#">“1.1.13 Dual clutch gearbox, 0DL, 0D9, 0GC”, page 15</a>	
846 Earth point on ignition coil 1	⇒ <a href="#">“1.1.7 1.8l petrol engine”, page 9</a>	
846 Earth point on ignition coil 1	⇒ <a href="#">“1.1.8 2.0l petrol engine”, page 10</a>	

Variants of earth points	Chapter	Comment
847 Earth point on ignition coil 2	⇒ <a href="#">“1.1.7 1.8l petrol engine”, page 9</a>	
847 Earth point on ignition coil 2	⇒ <a href="#">“1.1.8 2.0l petrol engine”, page 10</a>	
848 Earth point on ignition coil 3	⇒ <a href="#">“1.1.7 1.8l petrol engine”, page 9</a>	
848 Earth point on ignition coil 3	⇒ <a href="#">“1.1.8 2.0l petrol engine”, page 10</a>	
849 Earth point on ignition coil 4	⇒ <a href="#">“1.1.7 1.8l petrol engine”, page 9</a>	
849 Earth point on ignition coil 4	⇒ <a href="#">“1.1.8 2.0l petrol engine”, page 10</a>	

### 1.1.1 Front from left

**12 - Earth point, on left in engine compartment**

- Specified torque 20 Nm

**652 - Earth point, engine and gearbox earth**

- Specified torque 20 Nm

**656 - Earth point, on right headlight**

- Specified torque 9 Nm

**671 - Earth point 1, on front of left longitudinal member**

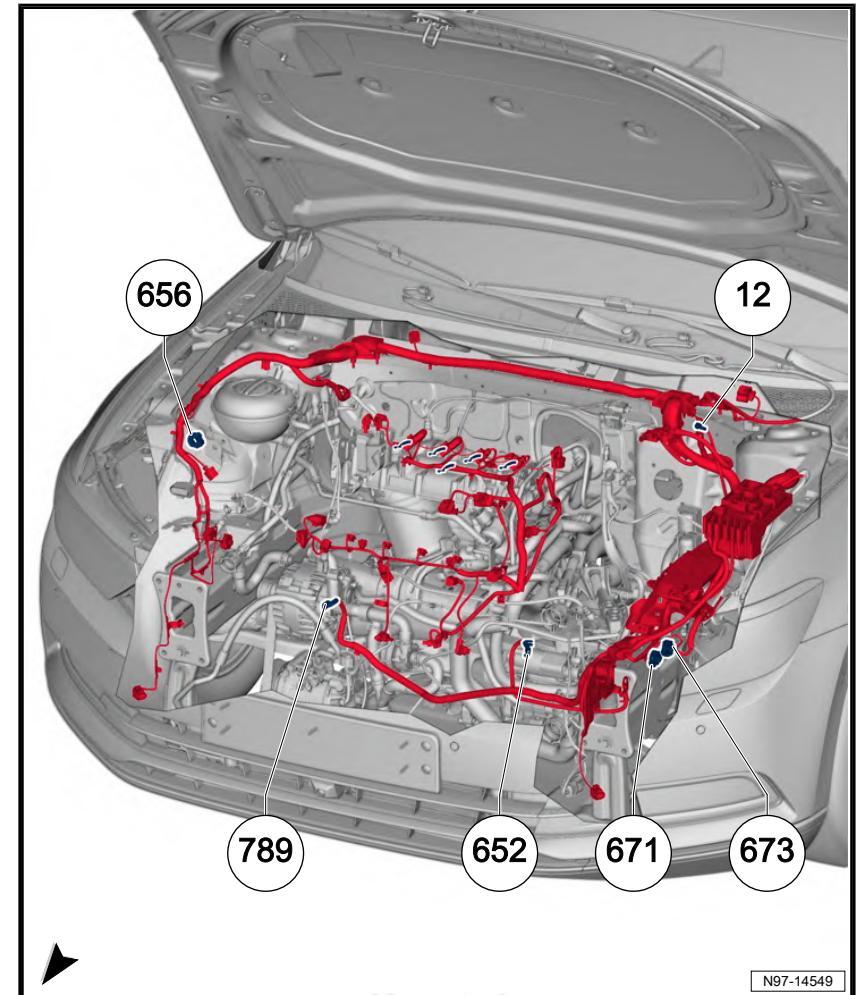
- Specified torque 9 Nm

**673 - Earth point 3, on front of left longitudinal member**

- Specified torque 9 Nm

**789 - Earth point on alternator**

- Specified torque 20 Nm



1.1.2 Front from left, additional earth points for vehicles with hybrid drive



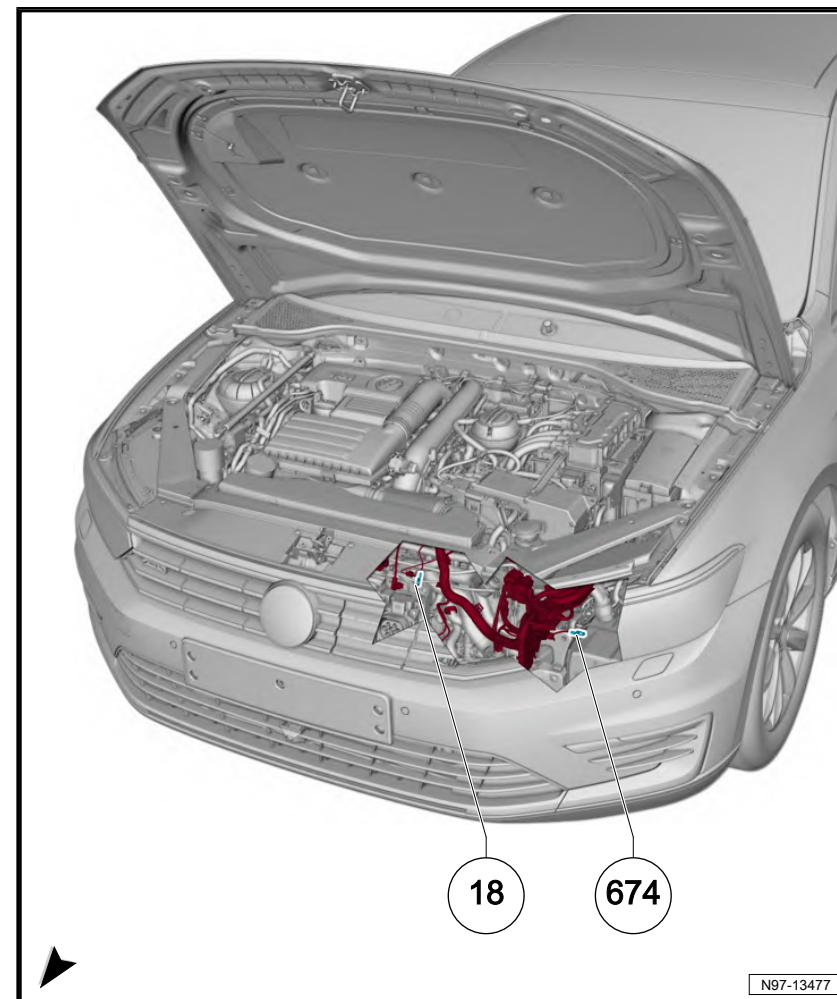
*For models with hybrid drive system*

**18 - Earth point, on cylinder block**

- Specified torque 20 Nm

**674 - Earth point 4, on front of left longitudinal member**

- Specified torque 20 Nm
- under longitudinal member





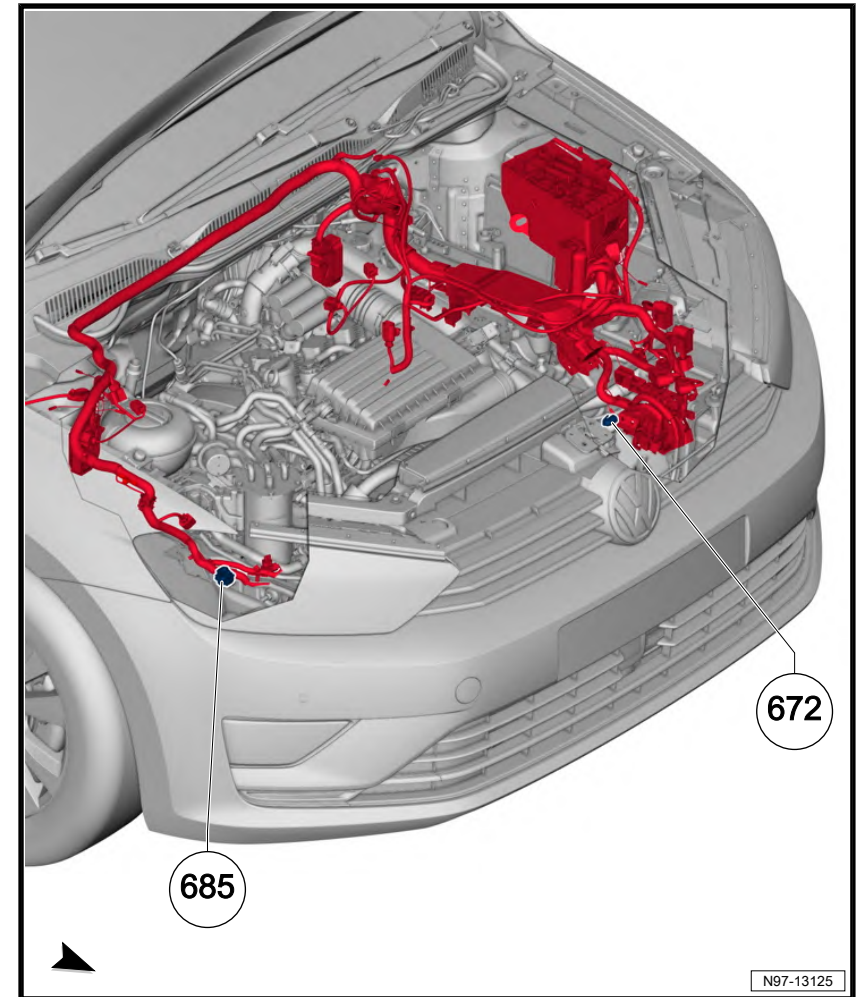
1.1.3 Front from right

672 - Earth point 2, on front of left longitudinal member

- Specified torque 20 Nm

685 - Earth point 1, on front of right longitudinal member

- Specified torque 9 Nm



1.1.4 Front from right, additional earth points for models with hybrid drive system

**i** Note

*For models with hybrid drive system*

**15 - Earth point, on cylinder head**

- Specified torque 9 Nm

**81 - Earth point in centre of engine compartment**

- near high-voltage battery charging socket 1 -UX4-
- Specified torque 9 Nm

**640 - Earth point 2, left in engine compartment**

- on charging unit 1 for high-voltage battery -AX4-
- Specified torque 8 Nm

**686 - Earth point 2, on front of right longitudinal member**

- Specified torque 9 Nm

**777 - Earth point for air conditioner compressor**

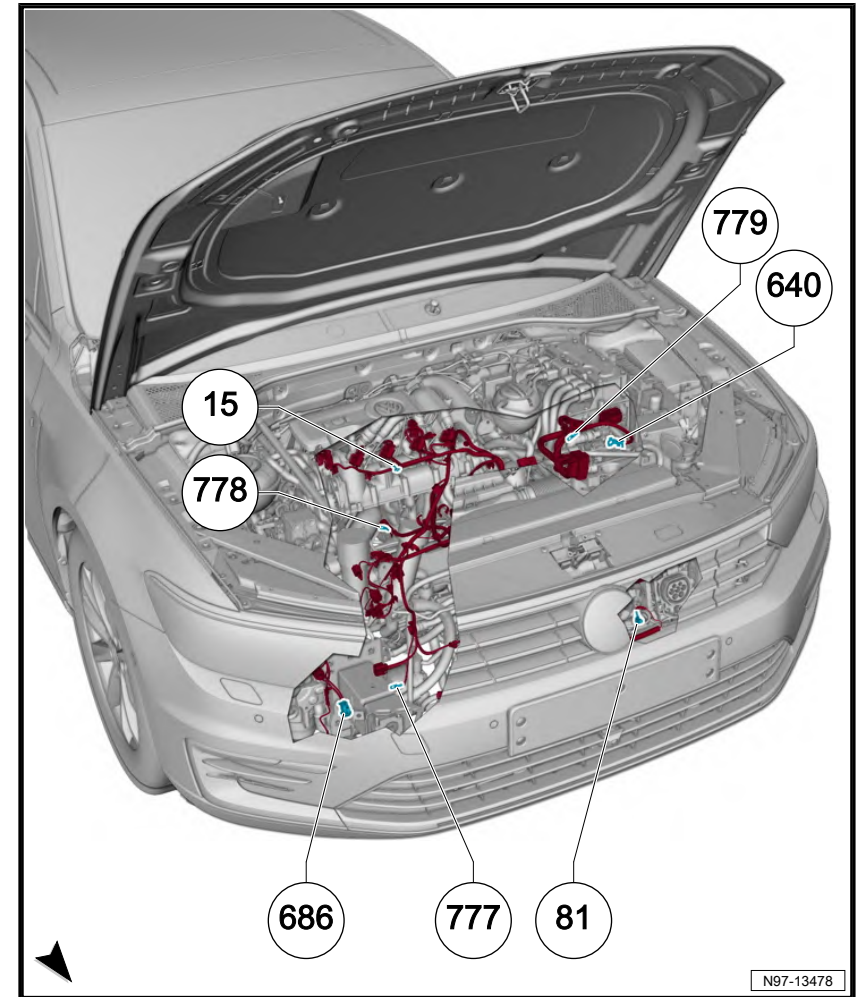
- Specified torque 9 Nm

**778 - Earth point for high-voltage heater (PTC)**

- Specified torque 9 Nm

**779 - Earth point 1 for power and control electronics for electric drive**

- Specified torque 9 Nm



1.1.5 1.4l petrol engine

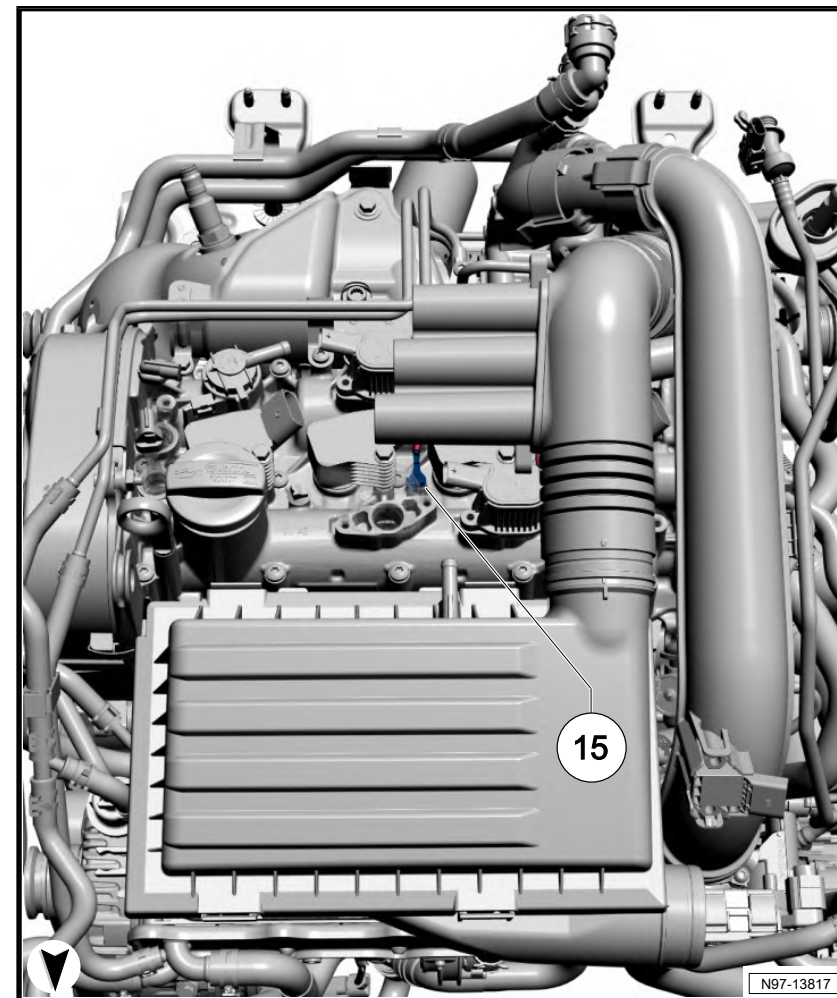


Note

*For models with 1.4l petrol engine, CUKC, CZCA, CZDA, CZEA*

15 - Earth point, on cylinder head

- Torque 9 Nm



1.1.6 1.5l petrol engine



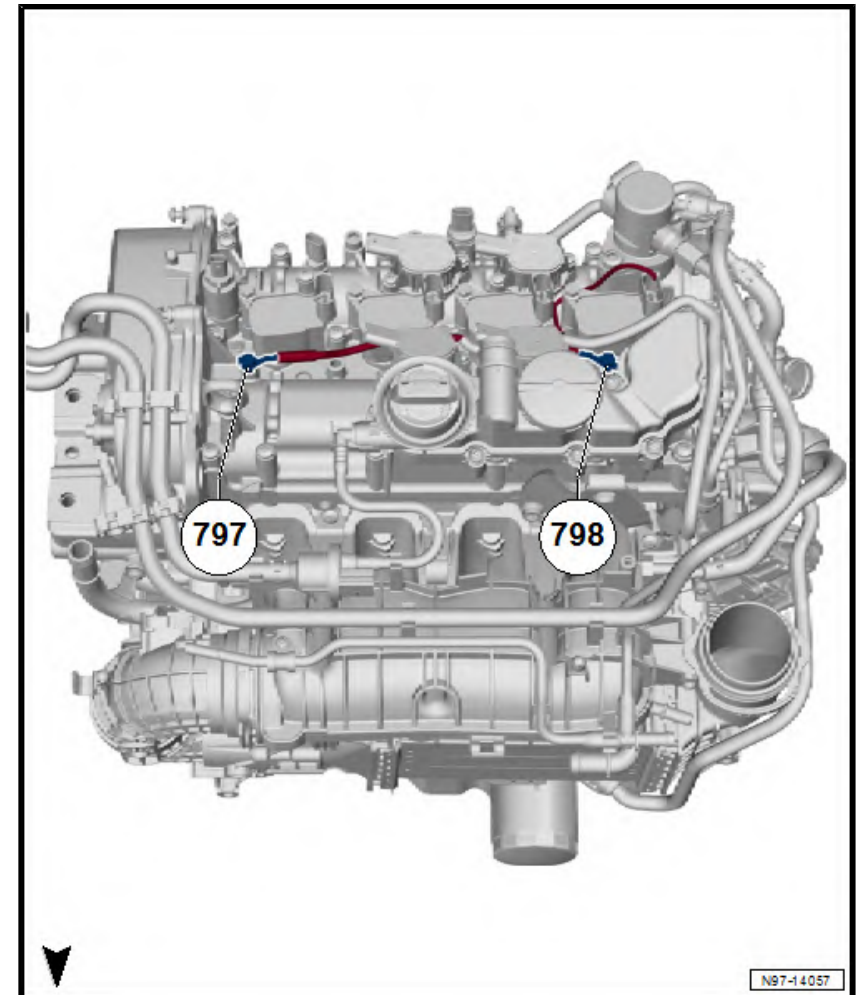
*For models with 1.5l petrol engine, DADA*

**797** - Earth point on cylinder block for ignition coil, cylinders 1 and 2

- Specified torque 9 Nm

**798** - Earth point on cylinder block for ignition coil, cylinders 3 and 4

- Specified torque 9 Nm



1.1.7 1.8l petrol engine



Note

*For models with 1.8l petrol engine, CJSA, CJSC*

**846 - Earth point on ignition coil 1**

Torque 9 Nm

**847 - Earth point on ignition coil 2**

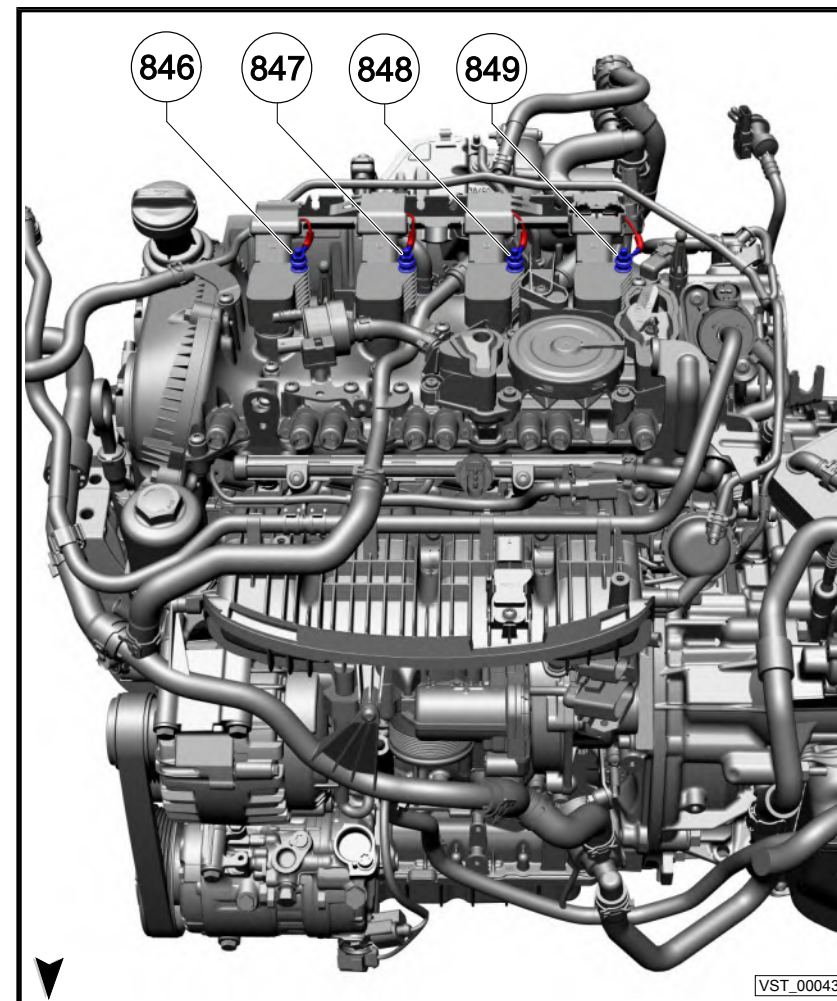
Torque 9 Nm

**848 - Earth point on ignition coil 3**

Torque 9 Nm

**849 - Earth point on ignition coil 4**

Torque 9 Nm





1.1.8 2.0l petrol engine



Note

*For models with 2.0l petrol engine, CHHB, CJXA, CXDA, CZPB, DKZA, DNUA*

**846 - Earth point on ignition coil 1**

□ Torque 9 Nm

**847 - Earth point on ignition coil 2**

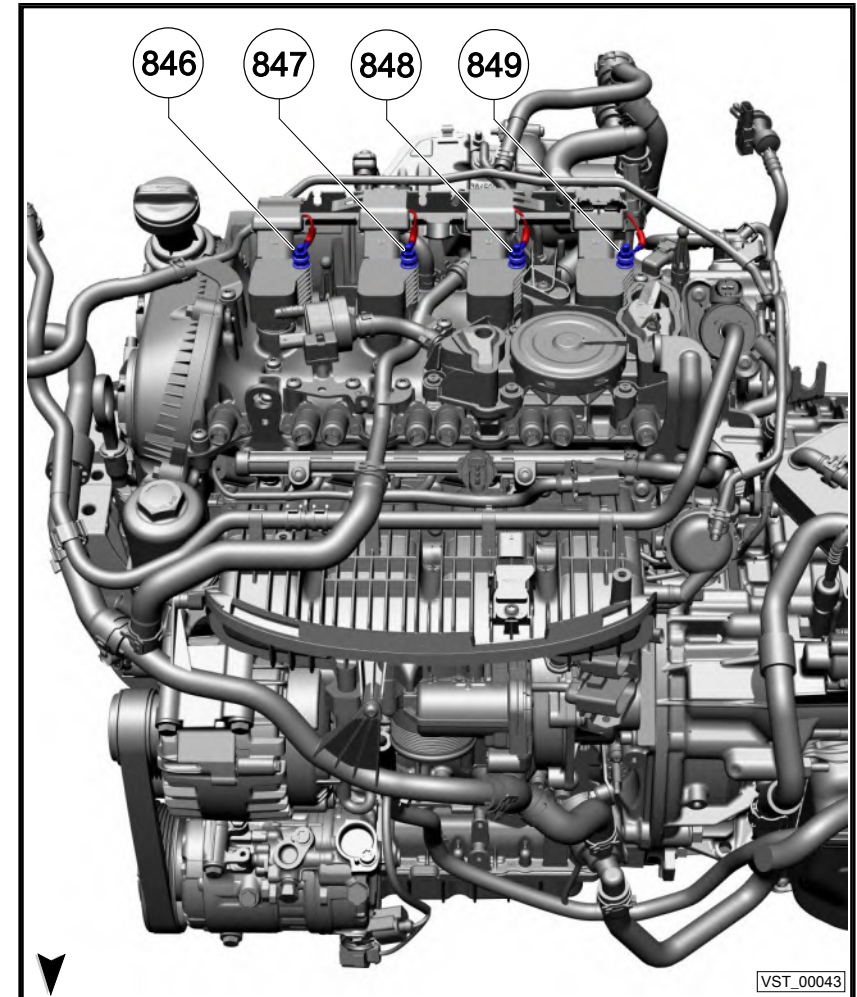
□ Torque 9 Nm

**848 - Earth point on ignition coil 3**

□ Torque 9 Nm

**849 - Earth point on ignition coil 4**

□ Torque 9 Nm



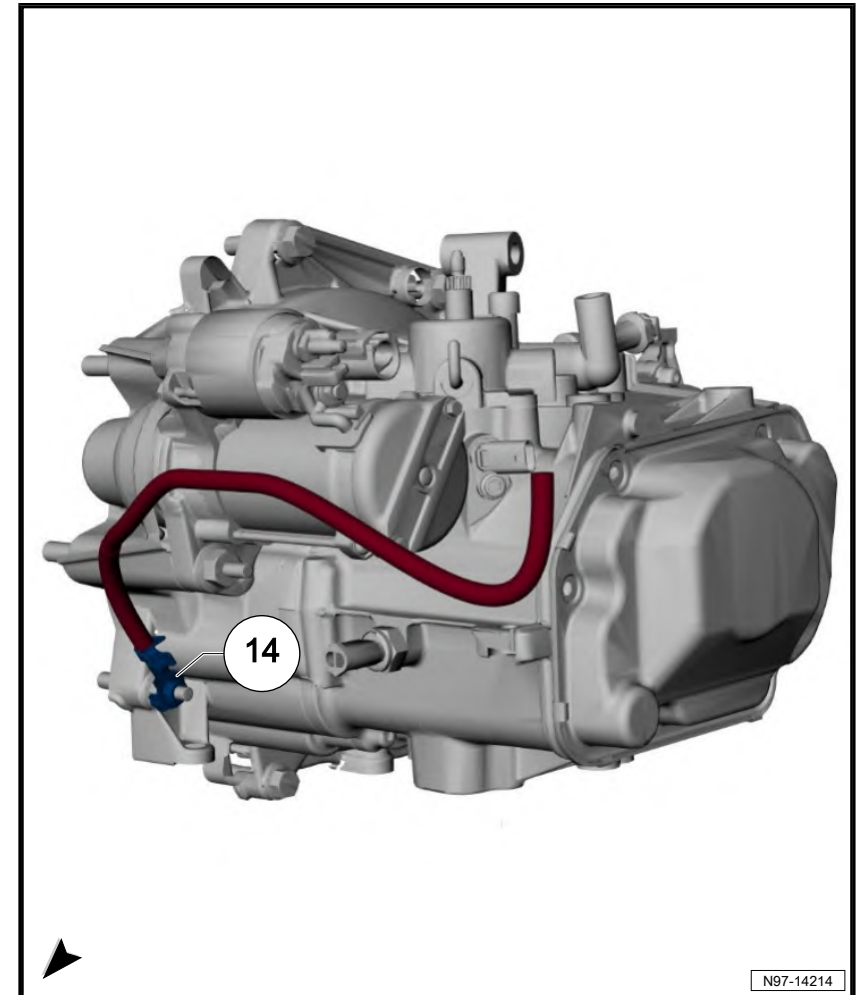
1.1.9 Manual gearbox 0AJ



*For models with manual gearbox 0AJ*

**14 - Earth point, on gearbox**

- Torque 20 Nm





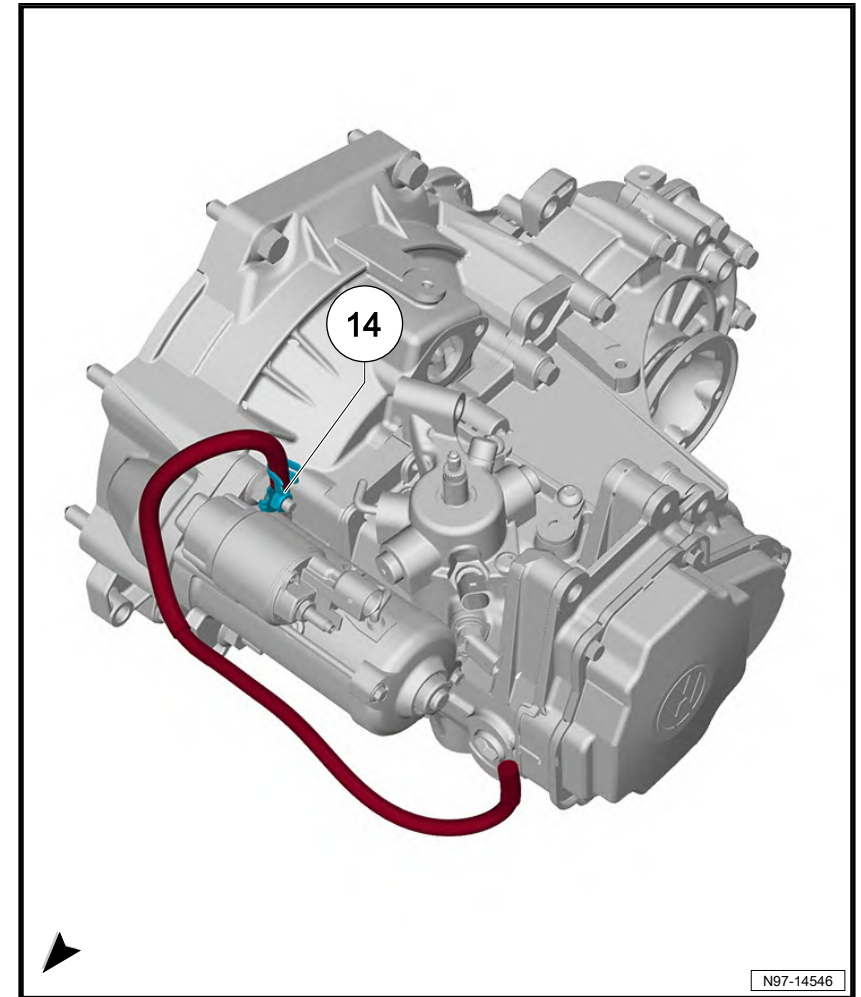
1.1.10 Manual gearbox 02S



*For models with manual gearbox 02S*

**14 - Earth point, on gearbox**

- Torque 20 Nm



1.1.11 Manual gearbox, 0BB, 0FB, 02Q

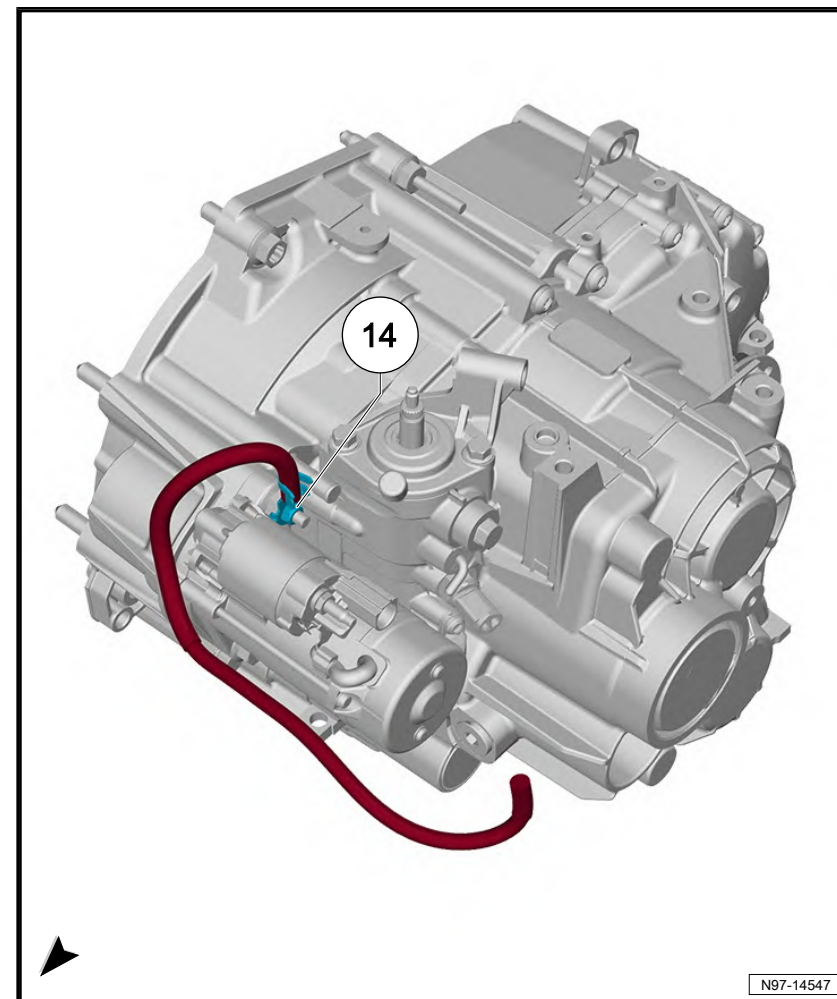


Note

*For models with manual gearbox 0BB,0FB,02Q*

**14 - Earth point, on gearbox**

- Torque 20 Nm



N97-14547

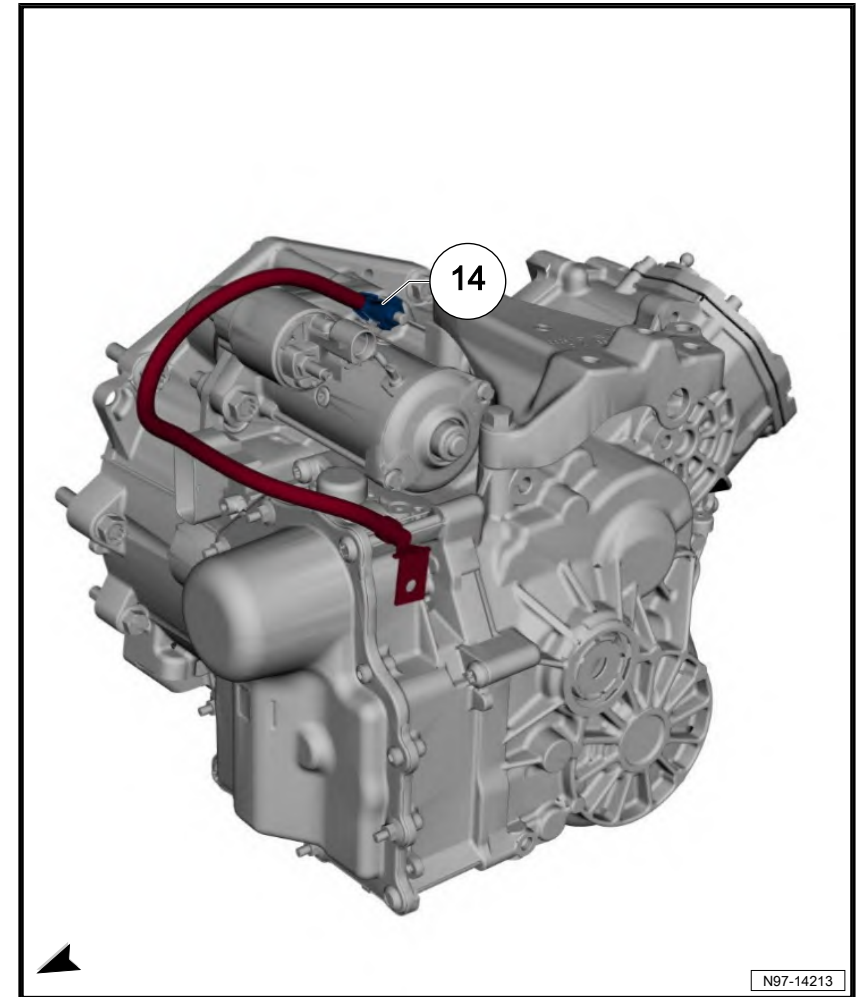
1.1.12 Dual clutch gearbox 0CW



*For models with dual clutch gearbox, 0CW*

**14 - Earth point, on gearbox**

- Torque 20 Nm



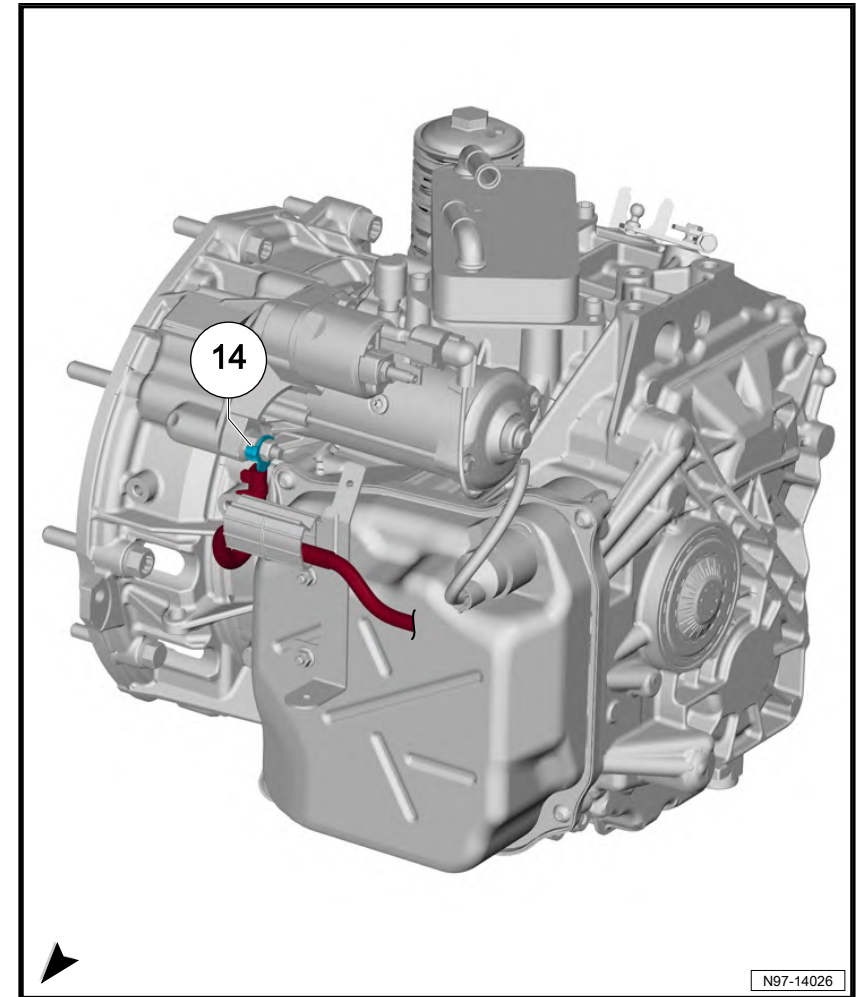
1.1.13 Dual clutch gearbox, 0DL, 0D9, 0GC



*For models with dual clutch gearbox, 0DL, 0D9, 0GC*

**14 - Earth point, on gearbox**

- Torque 20 Nm



**1.2 Earth points in middle part of vehicle**

◆ ⇒ [“1.2.1 Interior from left”, page 16](#)

◆ ⇒ [“1.2.2 Interior from right”, page 17](#)

**1.2.1 Interior from left**

**43 - Earth point, lower part of right A-pillar**

❑ Specified torque 9 Nm

**44 - Earth point, lower part of left A-pillar**

❑ Specified torque 9 Nm

**79 - Earth point on left B-pillar**

❑ Specified torque 9 Nm

**638 - Earth point, on right A-pillar**

❑ Specified torque 9 Nm

**689 - Earth point, at front, central in roof**

❑ Specified torque 9 Nm

**720 - Earth point on right B-pillar**

❑ Specified torque 9 Nm

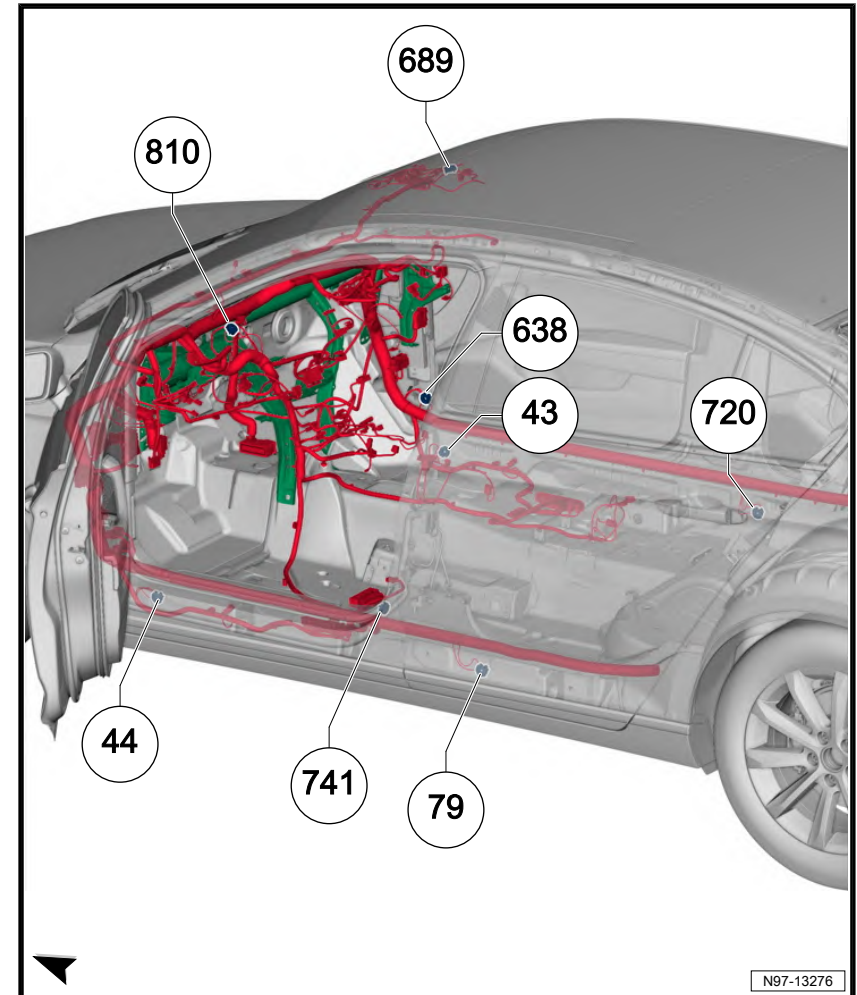
**741 - Earth point under seat on front left**

❑ Specified torque 9 Nm

**810 - Earth point on central tube for dash panel, centre left**

❑ Specified torque 9 Nm

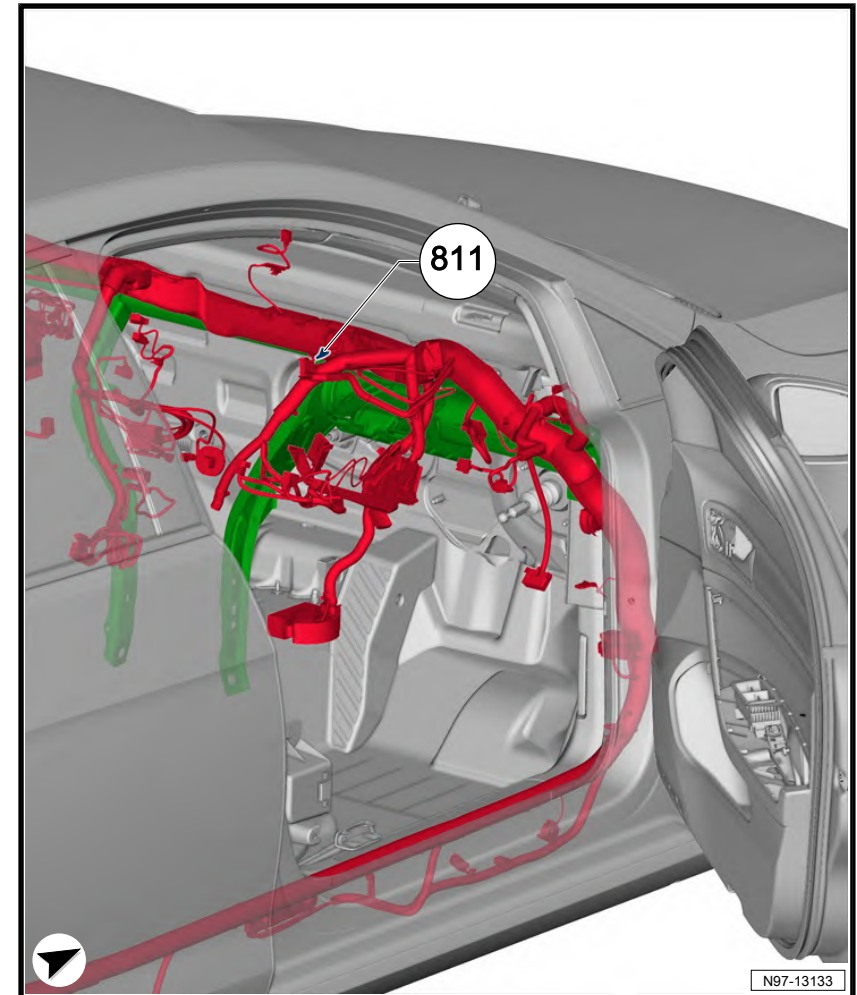
❑ Only left-hand drive models



### 1.2.2 Interior from right

#### 811 - Earth point on central tube for dash panel, centre right

- Specified torque 9 Nm
- Only right-hand drive models



### 1.3 Earth points in rear part of vehicle

- ◆ ⇒ [“1.3.1 On left of luggage compartment, saloon”, page 18](#)
- ◆ ⇒ [“1.3.2 On left of luggage compartment, estate”, page 20](#)



- ◆ ⇒ [“1.3.3 On right of luggage compartment, saloon”, page 21](#)
- ◆ ⇒ [“1.3.4 On right of luggage compartment, estate”, page 22](#)

Variants of earth points	Chapter	Comment
50 Earth point on left in luggage compartment	⇒ <a href="#">“1.3.1 On left of luggage compartment, saloon”, page 18</a>	
50 Earth point on left in luggage compartment	⇒ <a href="#">“1.3.2 On left of luggage compartment, estate”, page 20</a>	
729 Earth point on rear left wheel housing	⇒ <a href="#">“1.3.1 On left of luggage compartment, saloon”, page 18</a>	
729 Earth point on rear left wheel housing	⇒ <a href="#">“1.3.2 On left of luggage compartment, estate”, page 20</a>	
730 Earth point 1 on rear right wheel housing	⇒ <a href="#">“1.3.3 On right of luggage compartment, saloon”, page 21</a>	
730 Earth point 1 on rear right wheel housing	⇒ <a href="#">“1.3.4 On right of luggage compartment, estate”, page 22</a>	

### 1.3.1 On left of luggage compartment, saloon



Note

*Saloon view*

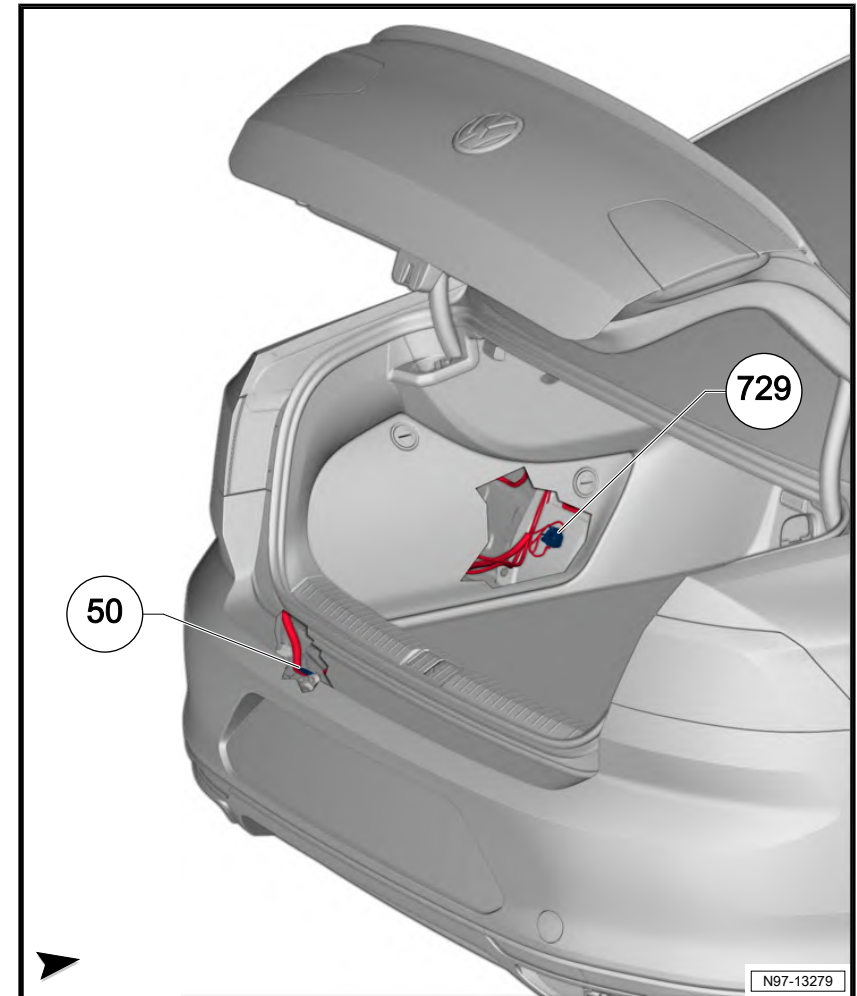


**729 - Earth point, on left rear wheel housing**

- ❑ Specified torque 9 Nm

**50 - Earth point, on left in luggage compartment**

- ❑ Specified torque 20 Nm
- ❑ Only models with battery at rear



1.3.2 On left of luggage compartment, estate



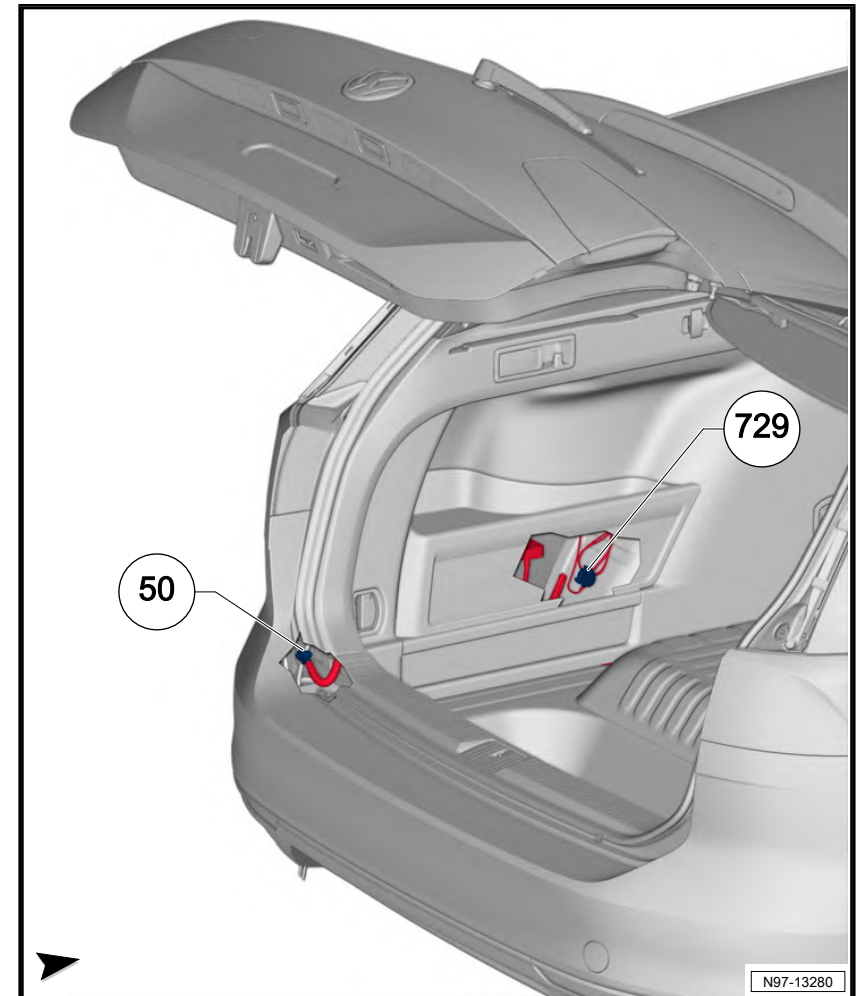
*Estate view*

**729 - Earth point, on left rear wheel housing**

- Specified torque 9 Nm

**50 - Earth point, on left in luggage compartment**

- Specified torque 20 Nm
- Only models with battery at rear



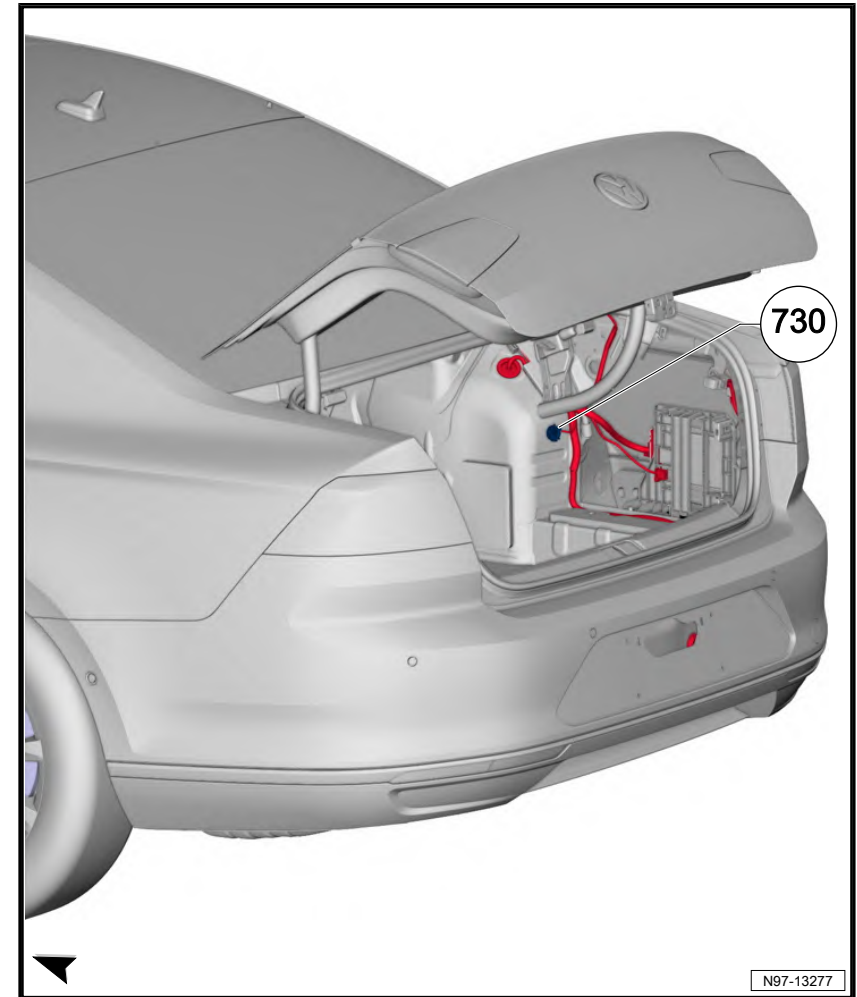
1.3.3 On right of luggage compartment, saloon



*Saloon view*

**730 - Earth point 1, on right rear wheel housing**

- Specified torque 9 Nm



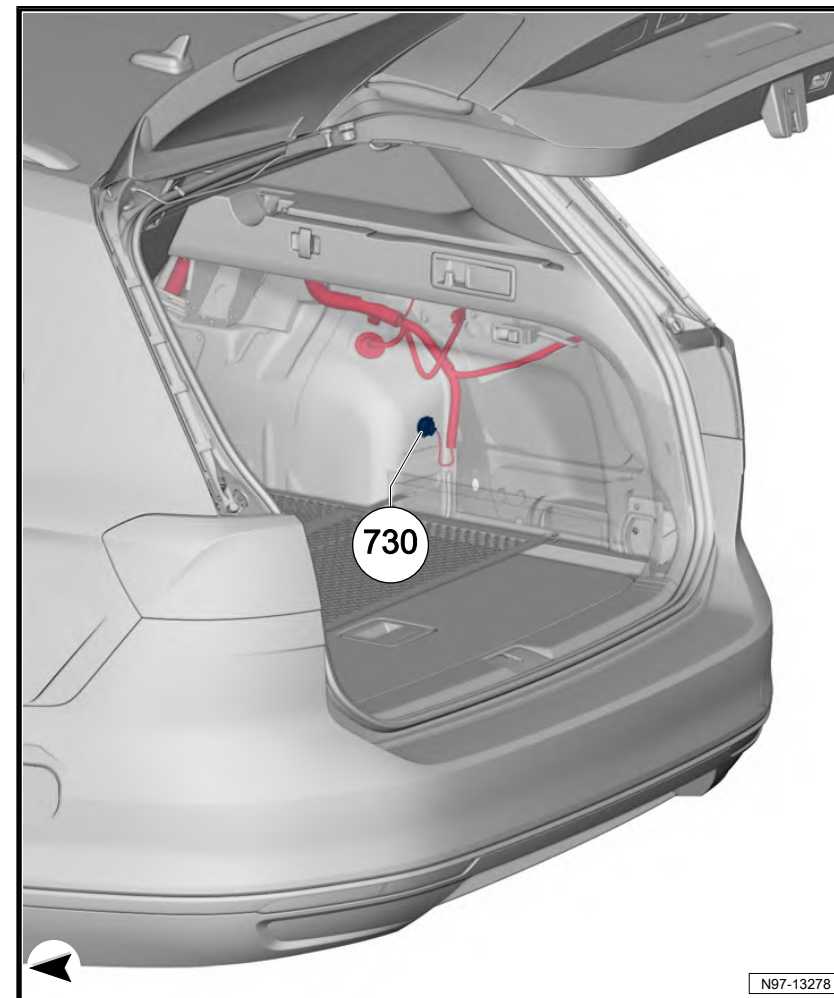
1.3.4 On right of luggage compartment, estate



*Estate view*

**730 - Earth point 1, on right rear wheel housing**

- Specified torque 9 Nm



1.4 Earth points on vehicle underbody

1.4.1 Earth points for models with hybrid drive system



Note

*For models with hybrid drive system*

**782 - Earth point 1, on high-voltage battery**

- Specified torque 9 Nm

**791 - Earth point, on rear right of underbody**

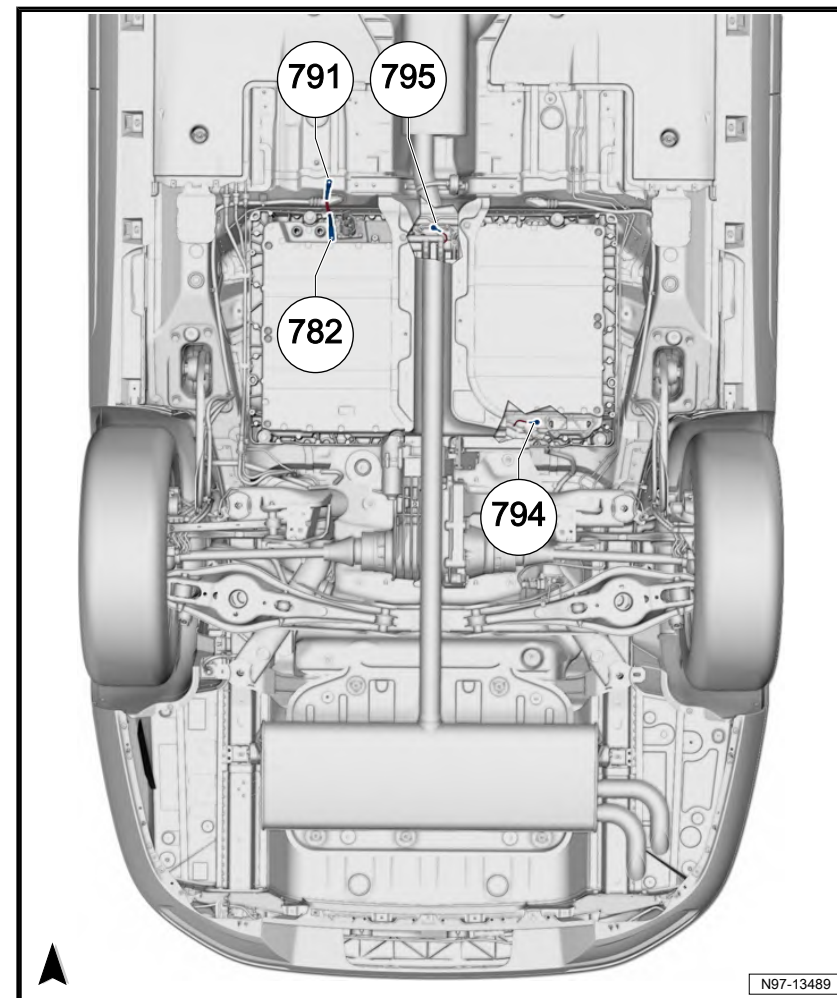
- Specified torque 9 Nm

**794 - Earth point 1, in high-voltage battery**

- Specified torque 8 Nm

**795 - Earth point 2, in high-voltage battery**

- Specified torque 8 Nm



1 Fuses

1.1 Overview of fuse holders

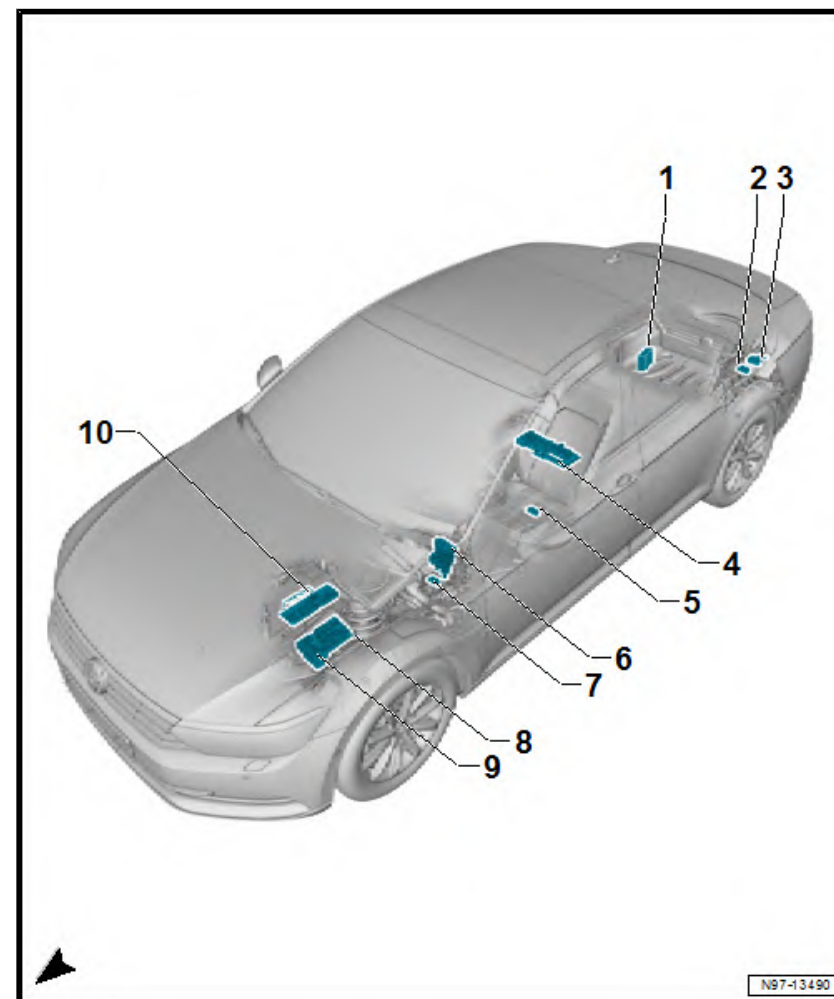
Overview of fuse holders, saloon ⇒ [page 1](#)

Overview of fuse holders, estate ⇒ [page 5](#)

1.1.1 Overview of fuse holders, saloon

 Note

*The fitting locations are identical on LHD and RHD models.*





**1 - Fuse holder F -SF-**



*Only for special vehicles*

- Fitting location ⇒ [page 8](#)
- Fuse assignment, from April 2015 ⇒ [page 10](#)

**2 - Fuse holder J -SJ-**



*Only for special vehicles*

- Fitting location ⇒ [page 15](#)
- Fuse assignment, from April 2015 ⇒ [page 17](#)

**3 - Fuse holder D -SD-**



*Only models with battery at rear*

- Fitting location ⇒ [page 10](#)
- Fuse assignment from September 2014 ⇒ [page 14](#)



*Only models with hybrid drive system*

- Fitting location ⇒ [page 13](#)
- Fuse assignment, from August 2015 ⇒ [page 15](#)

**4 - Fuse holder in switching unit for high-voltage battery -SX6-**

- High-voltage system fuse 1 -S350-



*Only models with hybrid drive system*

- Fitting location ⇒ [page 17](#)
- Fuse assignment, from August 2015 ⇒ [page 19](#)

**5 - Fuse holder K -SK-****Note**

*Only for special vehicles*

- Fitting location ⇒ [page 19](#)
- Fuse assignment, from April 2015 ⇒ [page 21](#)

**6 - Fuse holder C -SC-**

- Fitting location, left-hand drive models ⇒ [page 21](#)
- Fitting location, right-hand drive models ⇒ [page 23](#)
- Fuse assignment from September 2014 ⇒ [page 24](#)
- Fuse assignment from May 2015 ⇒ [page 28](#)
- Fuse assignment, from November 2015 ⇒ [page 33](#)
- Fuse assignment from May 2016 ⇒ [page 38](#)
- Fuse assignment, from November 2016 ⇒ [page 42](#)
- Fuse assignment from May 2017 ⇒ [page 47](#)
- Fuse assignment, from November 2017 ⇒ [page 52](#)
- Fuse assignment from July 2018 ⇒ [page 57](#)

**6 - Front passenger seat adjustment thermal fuse 1 -S46-**

- Fitting location, left-hand drive models ⇒ [page 62](#)
- Fitting location, right-hand drive models ⇒ [page 63](#)
- Fuse assignment from September 2014 ⇒ [page 64](#)

**7 - Fuse holder H -SH-**

- Fitting location ⇒ [page 64](#)
- Fuse assignment, from April 2015 ⇒ [page 66](#)
- Fuse assignment, from November 2016 ⇒ [page 66](#)

**8 - Fuse holder B -SB-**

- Fitting location ⇒ [page 67](#)
- Fuse assignment from September 2014 ⇒ [page 69](#)
- Fuse assignment, from February 2015 ⇒ [page 72](#)
- Fuse assignment, from May 2017 ⇒ [page 77](#)
- Fuse assignment, from November 2017 ⇒ [page 82](#)
- Fuse assignment from July 2018 ⇒ [page 87](#)

**9 - Fuse holder A -SA-**

- Fitting location ⇒ [page 92](#)
- Fitting location, only models with hybrid drive system ⇒ [page 93](#)
- Fuse assignment from September 2014 ⇒ [page 95](#)
- Fuse assignment, from August 2015, only models with hybrid drive system ⇒ [page 97](#)

**10 - Fuse holder in the power and control electronics for electric drive -JX1-**

- High-voltage system fuse 3 -S353-

**Note**

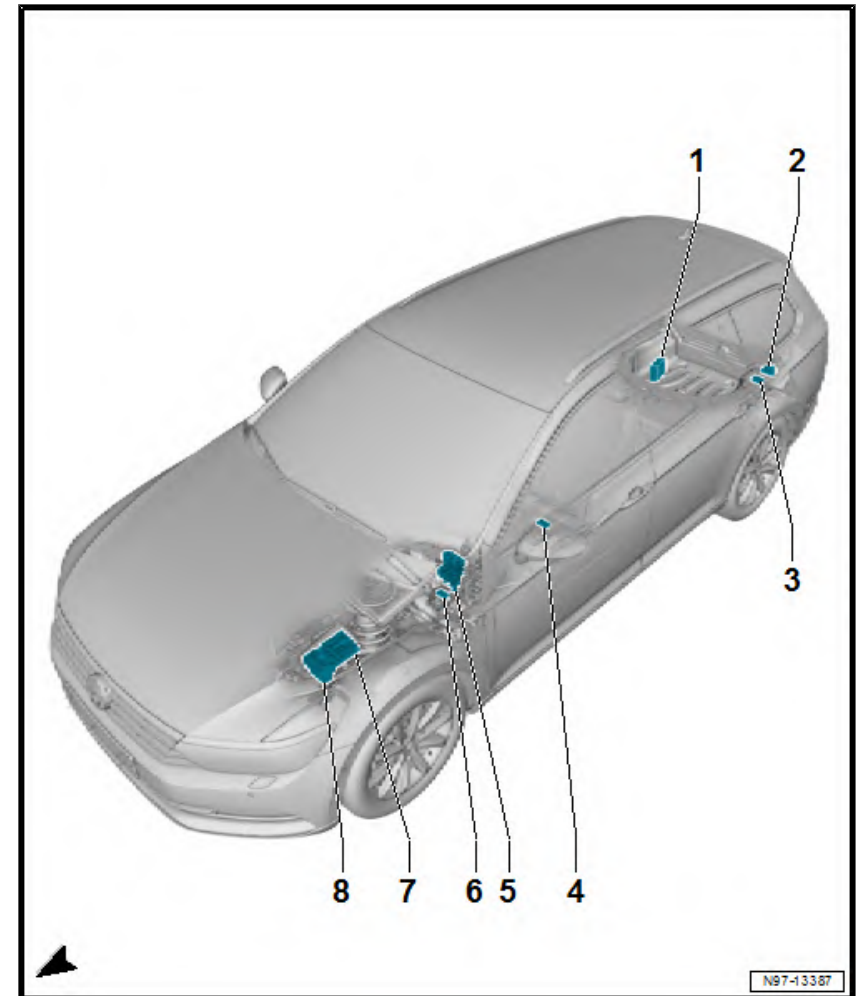
*Only models with hybrid drive system*

- Fitting location ⇒ [page 98](#)
- Fuse assignment, from August 2015 ⇒ [page 100](#)

1.1.2 Overview of fuse holders, estate

**i** Note

*The fitting locations are identical on LHD and RHD models.*



1 - Fuse holder F -SF-



*Only for special vehicles*

- Fitting location ⇒ [page 8](#)
- Fuse assignment, from April 2015 ⇒ [page 10](#)

2 - Fuse holder D -SD-



*Only models with battery at rear*

- Fitting location ⇒ [page 12](#)
- Fuse assignment from September 2014 ⇒ [page 14](#)

3 - Fuse holder J -SJ-



*Only for special vehicles*

- Fitting location ⇒ [page 15](#)
- Fuse assignment, from April 2015 ⇒ [page 17](#)

4 - Fuse holder K -SK-



*Only for special vehicles*

- Fitting location ⇒ [page 19](#)
- Fuse assignment, from April 2015 ⇒ [page 21](#)

**5 - Fuse holder C -SC-**

- Fitting location, left-hand drive models ⇒ [page 21](#)
- Fitting location, right-hand drive models ⇒ [page 23](#)
- Fuse assignment from September 2014 ⇒ [page 24](#)
- Fuse assignment from May 2015 ⇒ [page 28](#)
- Fuse assignment, from November 2015 ⇒ [page 33](#)
- Fuse assignment from May 2016 ⇒ [page 38](#)
- Fuse assignment, from November 2016 ⇒ [page 42](#)
- Fuse assignment, from May 2017 ⇒ [page 47](#)
- Fuse assignment, from November 2017 ⇒ [page 52](#)
- Fuse assignment from July 2018 ⇒ [page 57](#)

**5 - Front passenger seat adjustment thermal fuse 1 -S46-**

- Fitting location, left-hand drive models ⇒ [page 62](#)
- Fitting location, right-hand drive models ⇒ [page 63](#)
- Fuse assignment from September 2014 ⇒ [page 64](#)

**6 - Fuse holder H -SH-**

- Fitting location ⇒ [page 64](#)
- Fuse assignment, from April 2015 ⇒ [page 66](#)

**7 - Fuse holder B -SB-**

- Fitting location ⇒ [page 67](#)
- Fuse assignment from September 2014 ⇒ [page 69](#)
- Fuse assignment, from February 2015 ⇒ [page 72](#)
- Fuse assignment, from May 2017 ⇒ [page 77](#)
- Fuse assignment, from November 2017 ⇒ [page 82](#)
- Fuse assignment from July 2018 ⇒ [page 87](#)

**8 - Fuse holder A -SA-**

- Fitting location ⇒ [page 92](#)
- Fuse assignment from September 2014 ⇒ [page 95](#)

1.2 Fitting location of fuse holder F -SF-

1.2.1 Fitting location of fuse holder F -SF- , only for special vehicles



Note

*The fitting locations are identical on saloon and estate models.*



**1 - Fuse holder F -SF-**

**Fuse colours for J-Case fuse:**

- ◆ 50 A - red
- ◆ 40 A - green
- ◆ 30 A - pink

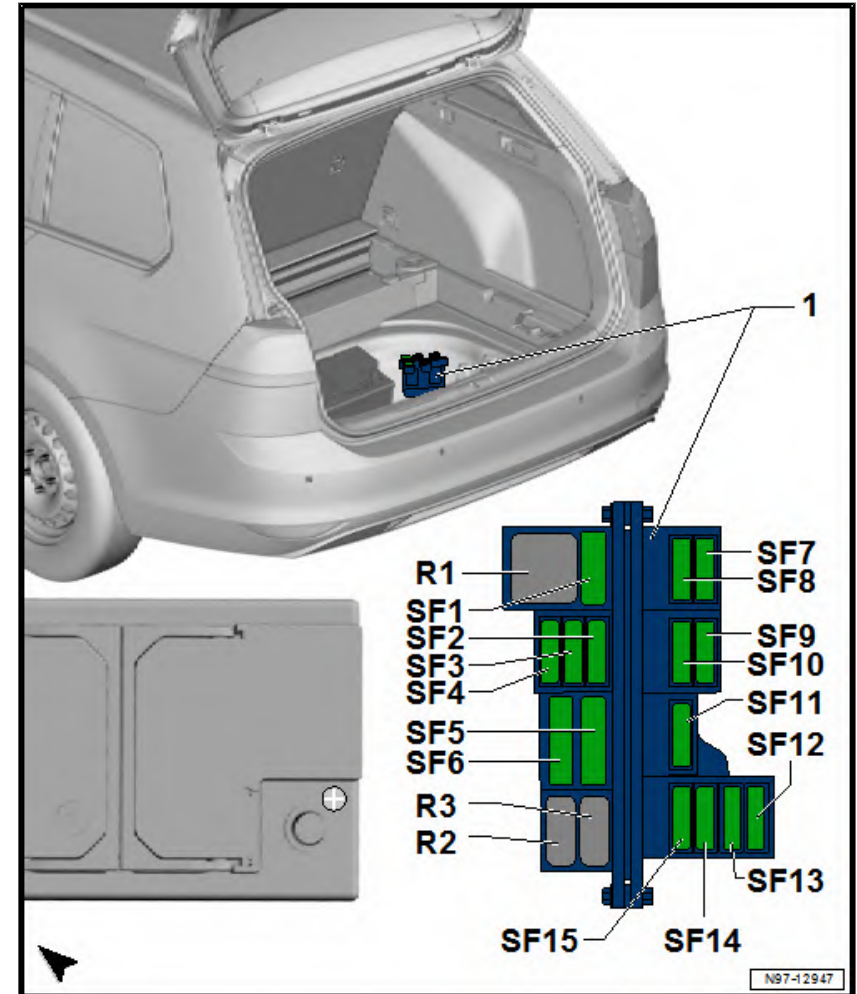
**Fuse colours for ATO flat fuse:**

- ◆ 40 A - orange
- ◆ 30 A - light green
- ◆ 25 A - natural (white)
- ◆ 20 A - yellow
- ◆ 15 A - light blue
- ◆ 10 A - red
- ◆ 7.5 A - brown

- ◆ 5 A - light brown
- ◆ 1A - black

**Fuse colours, for mini fuses:**

- ◆ 20 A - yellow
- ◆ 15 A - light blue
- ◆ 10 A - red
- ◆ 7.5 A - brown
- ◆ 5 A - light brown
- ◆ 1A - black



Volkswagen Technical Site: <http://vwts.ru> <http://vwts.info>

[Back to overview ⇒ page 1](#)

### 1.3 Fuse assignment for fuse holder F -SF-

#### 1.3.1 Fuse assignment for fuse holder F -SF- , from April 2015, only for special vehicles

Slot	Current flow diagram designation	Nominal value	Function/component	Terminal
SF1	Fuse 1 in fuse holder F -SF1-	2)	Special vehicle fuse <sup>1)</sup>	30
SF2	Fuse 2 in fuse holder F -SF2-	2)	Special vehicle fuse <sup>1)</sup>	30
SF3	Fuse 3 in fuse holder F -SF3-	2)	Special vehicle fuse <sup>1)</sup>	30
SF4	Fuse 4 in fuse holder F -SF4-	2)	Special vehicle fuse <sup>1)</sup>	30
SF5	Fuse 5 in fuse holder F -SF5-	2)	Special vehicle fuse <sup>1)</sup>	30
SF6	Fuse 6 in fuse holder F -SF6-	2)	Special vehicle fuse <sup>1)</sup>	30
SF7	Fuse 7 in fuse holder F -SF7-	2)	Special vehicle fuse <sup>1)</sup>	30
SF8	Fuse 8 in fuse holder F -SF8-	2)	Special vehicle fuse <sup>1)</sup>	30
SF9	Fuse 9 in fuse holder F -SF9-	2)	Special vehicle fuse <sup>1)</sup>	30
SF10	Fuse 10 in fuse holder F -SF10-	2)	Special vehicle fuse <sup>1)</sup>	30
SF11	Fuse 11 in fuse holder F -SF11-	2)	Special vehicle fuse <sup>1)</sup>	30
SF12	Fuse 12 in fuse holder F -SF12-	2)	Special vehicle fuse <sup>1)</sup>	30
SF13	Fuse 13 in fuse holder F -SF13-	2)	Special vehicle fuse <sup>1)</sup>	30
SF14	Fuse 14 in fuse holder F -SF14-	2)	Special vehicle fuse <sup>1)</sup>	30
SF15	Fuse 15 in fuse holder F -SF15-	2)	Special vehicle fuse <sup>1)</sup>	30

<sup>1)</sup> According to equipment

<sup>2)</sup> Fuse rating, see installation description for special installations

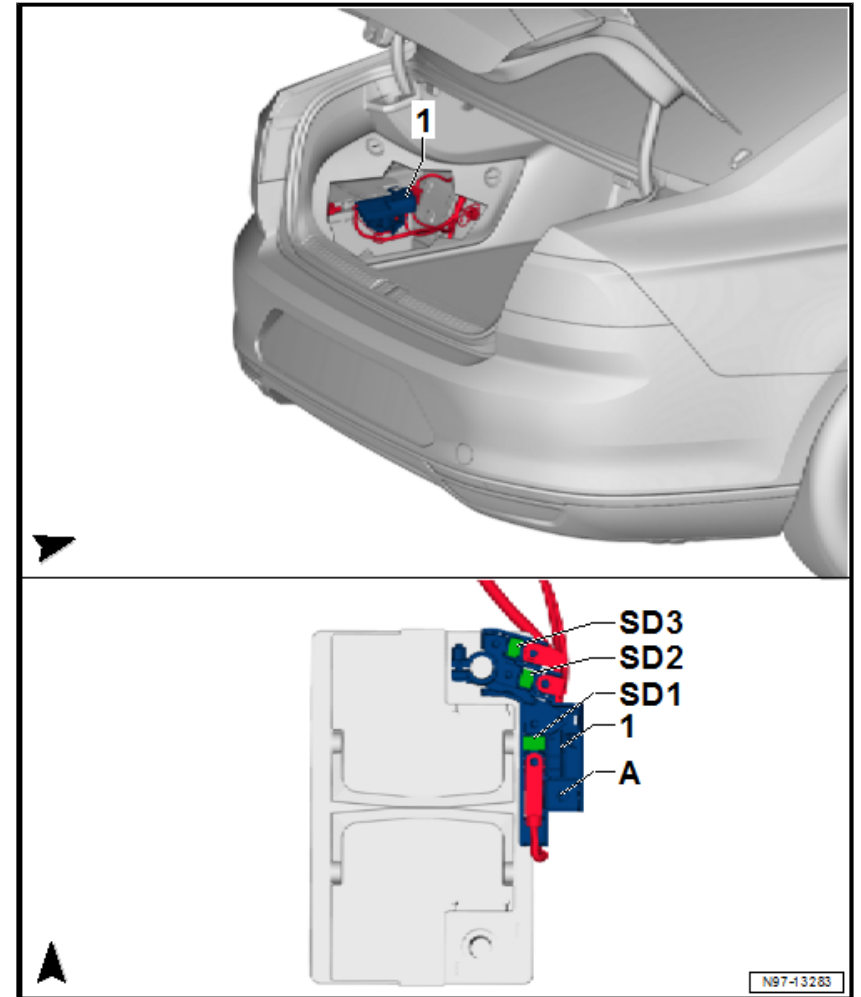
[Back to overview ⇒ page 1](#)

### 1.4 Fitting location of fuse holder D -SD-

#### 1.4.1 Fitting location of fuse holder D -SD- , saloon, only models with battery at rear

1 - Fuse holder D -SD-

A - Supply  Threaded connection (30), on E-box

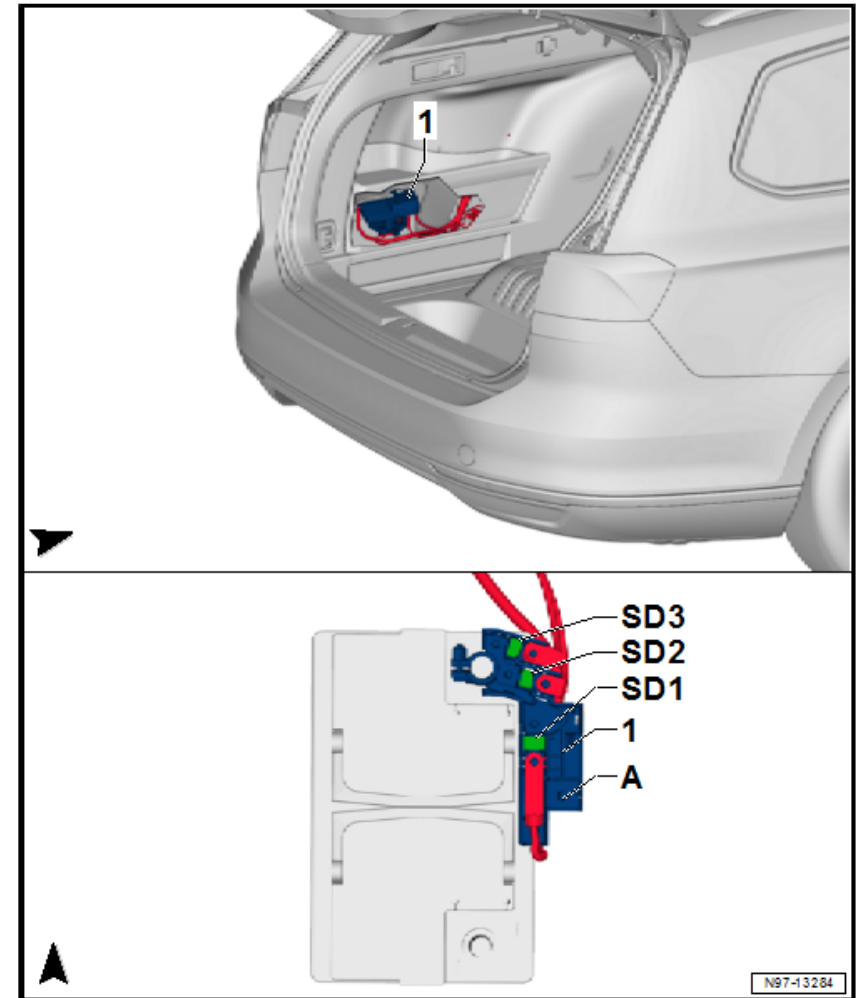


Back to overview ⇒ [page 1](#)

1.4.2 Fitting location of fuse holder D -SD- , estate, only models with battery at rear

1 - Fuse holder D -SD-

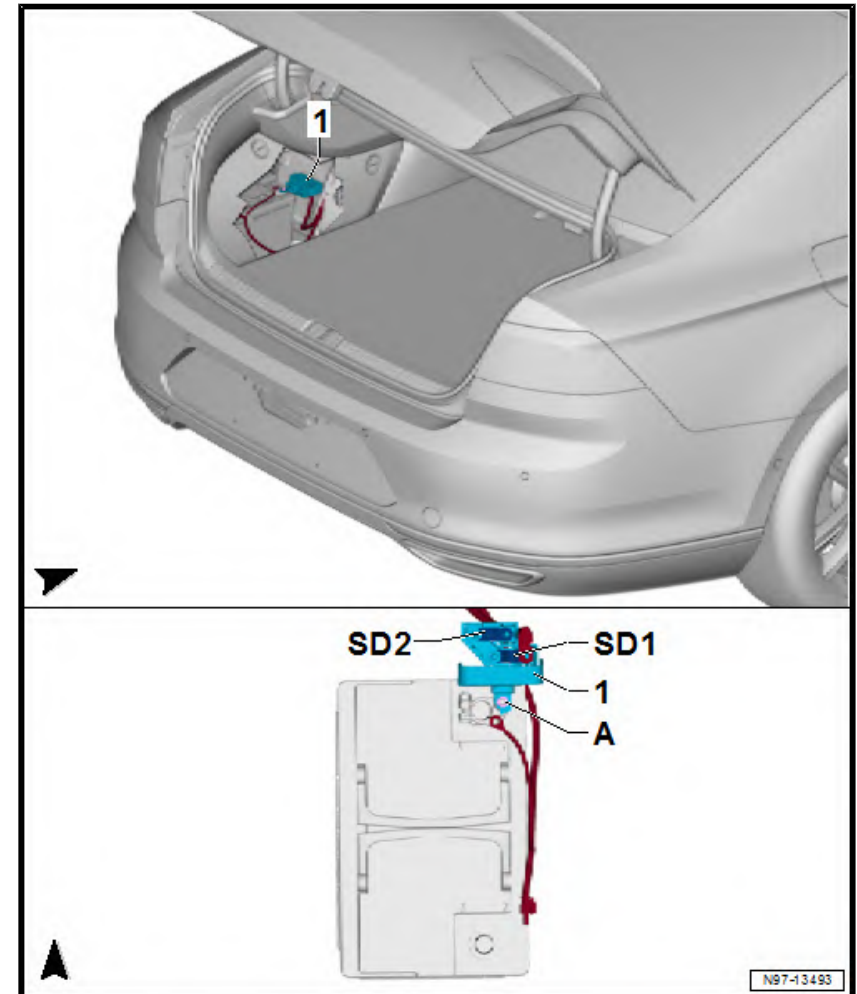
A - Supply  Threaded connection (30), on E-box



[Back to overview ⇒ page 1](#)

### 1.4.3 Fitting location of fuse holder D -SD- , only models with hybrid drive system

1 - Fuse holder D -SD-



Back to overview ⇒ [page 1](#)

1.5 Fuse assignment for fuse holder D -SD-

1.5.1 Fuse assignment for fuse holder D -SD- , from September 2014, only models with battery at rear

Slot	Current flow diagram designation	Nominal value	Function/component	Terminal
SD1	Fuse 1 on fuse holder D -SD1-	80 A	Supply for fuse 4 on fuse holder A -SA4- ◆ Terminal 30	30
SD2	Fuse 2 on fuse holder D -SD2-	110 A	Supply for fuse holder C -SC- ◆ Terminal 30_2 ◆ Fuse 1 on fuse holder C -SC1- ◆ Fuse 3 on fuse holder C -SC3- ◆ Fuse 15 on fuse holder C -SC15- - fuse 21 on fuse holder C -SC21- ◆ Fuse 23 on fuse holder C -SC23- - fuse 28 on fuse holder C -SC28- ◆ Fuse 43 on fuse holder C -SC43- - fuse 45 on fuse holder C -SC45- ◆ Fuse 50 on fuse holder C -SC50-	30

Slot	Current flow diagram designation	Nominal value	Function/component	Terminal
SD3	Fuse 3 on fuse holder D -SD3-	110 A	Supply for fuse holder C -SC- ♦ Terminal 30_1 ♦ Fuse 2 on fuse holder C -SC2- ♦ Fuse 4 on fuse holder C -SC4- - fuse 14 on fuse holder C -SC14- ♦ Fuse 22 on fuse holder C -SC22- ♦ Fuse 31 on fuse holder C -SC31- ♦ Fuse 38 on fuse holder C -SC38- - fuse 39 on fuse holder C -SC39- ♦ Fuse 41 on fuse holder C -SC41- - fuse 42 on fuse holder C -SC42- ♦ Fuse 46 on fuse holder C -SC46- ♦ Fuse 51 on fuse holder C -SC51- ♦ Fuse 53 on fuse holder C -SC53- ♦ Relay for power sockets -J807- ♦ Terminal 15 voltage supply relay -J329-	30

[Back to overview ⇒ page 1](#)

### 1.5.2 Fuse assignment for fuse holder D -SD- , from July 2014, only models with hybrid drive system

Slot	Current flow diagram designation	Nominal value	Function/component	Terminal
SD1	Fuse 1 on fuse holder D -SD1-	200 A	508 Threaded connection (30), on E-box	30
SD2	not assigned	-		-

[Back to overview ⇒ page 1](#)

### 1.6 Fitting location of fuse holder J -SJ-

#### 1.6.1 Fitting location of fuse holder J -SJ- , only for special vehicles



 **Note**

*The fitting locations are identical on saloon and estate models.*

**1 - Fuse holder J -SJ-**

**Fuse colours for J-Case fuse:**

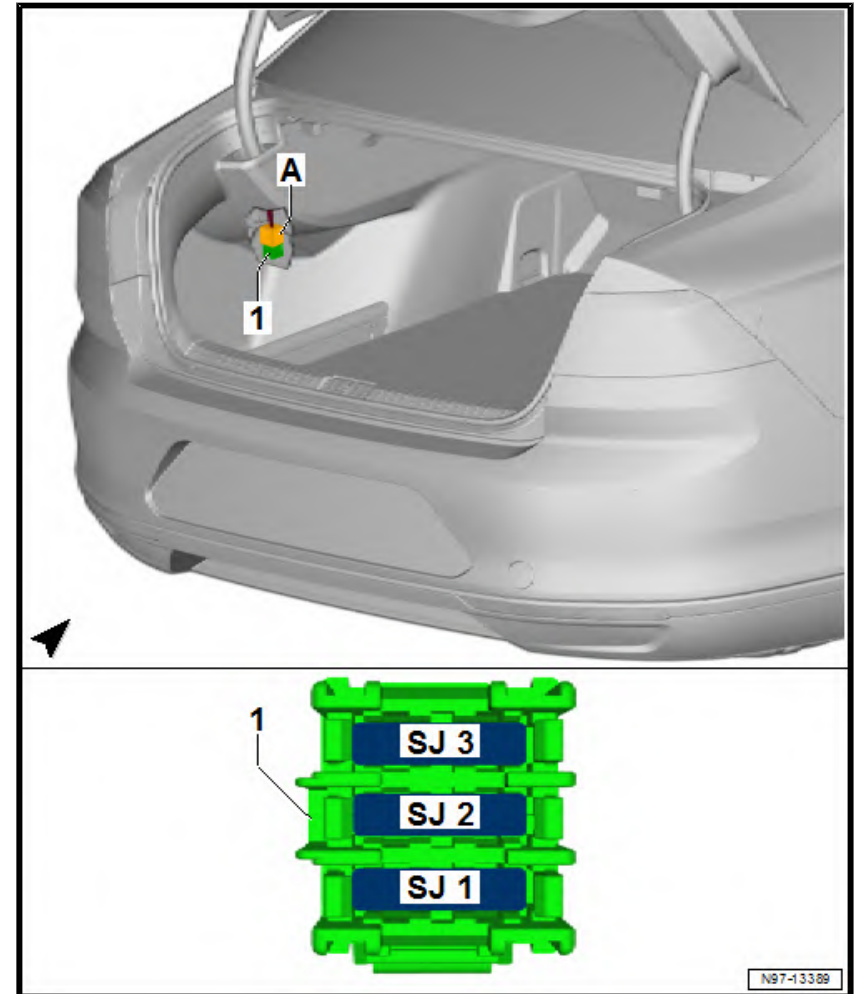
- ◆ 40 A - green
- ◆ 30 A - pink

**Fuse colours for ATO flat fuse:**

- ◆ 40 A - orange
- ◆ 30 A - light green
- ◆ 25 A - natural (white)
- ◆ 20 A - yellow
- ◆ 15 A - light blue
- ◆ 10 A - red
- ◆ 7.5 A - brown
- ◆ 5 A - light brown

**Fuse colours, for mini fuses:**

- ◆ 15 A - light blue
- ◆ 10 A - red
- ◆ 7.5 A - brown
- ◆ 5 A - light brown
- ◆ 1A - black



[Back to overview ⇒ page 1](#)

## 1.7 Fuse assignment for fuse holder J -SJ-

### 1.7.1 Fuse assignment for fuse holder J -SJ- , from April 2015, only for special vehicles

Slot	Current flow diagram designation	Nominal value	Function/component	Terminal
SJ1	Fuse 1 on fuse holder J -SJ1-	2)	Special vehicle fuse <sup>1)</sup>	30
SJ2	Fuse 2 on fuse holder J -SJ2-	2)	Special vehicle fuse <sup>1)</sup>	30
SJ3	Fuse 3 on fuse holder J -SJ3-	2)	Special vehicle fuse <sup>1)</sup>	30

<sup>1)</sup> According to equipment

<sup>2)</sup> Fuse rating, see installation description for special installations

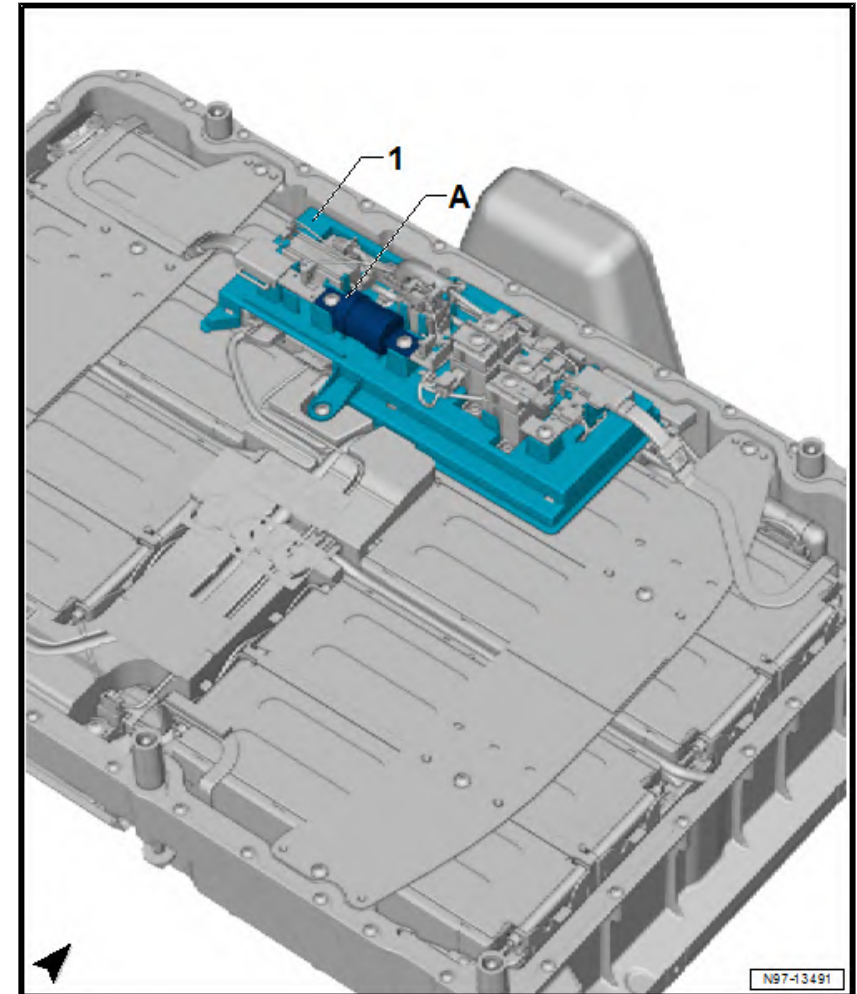
[Back to overview ⇒ page 1](#)

## 1.8 Fitting location of fuse holder in switching unit for high-voltage battery -SX6-

### 1.8.1 Fitting location of fuse holder in switching unit for high-voltage battery -SX6- , only models with hybrid drive system

1 - Switching unit for high-voltage battery -SX6-

A - High-voltage system fuse 1 -S350- , in switching unit for high-voltage battery -SX6-



Back to overview ⇒ [page 1](#)

**1.9 Fuse assignment for high-voltage system fuse 1 -S350-**

**1.9.1 Fuse assignment for high-voltage system fuse 1 -S350- , from August 2015, only models with hybrid drive system**

Screw location	Current flow diagram designation	Nominal value	Function/component	Terminal
1	High-voltage system fuse 1 -S350-	350 A	High-voltage battery power contactor 1 -J1057-	30

Back to overview ⇒ [page 1](#)

**1.10 Fitting location of fuse holder K -SK-**

**1.10.1 Fitting location of fuse holder K -SK- , only for special vehicles**

**i** Note

*The fitting locations are identical on saloon and estate models.*

**1 - Fuse holder K -SK-**

**Fuse colours for J-Case fuse:**

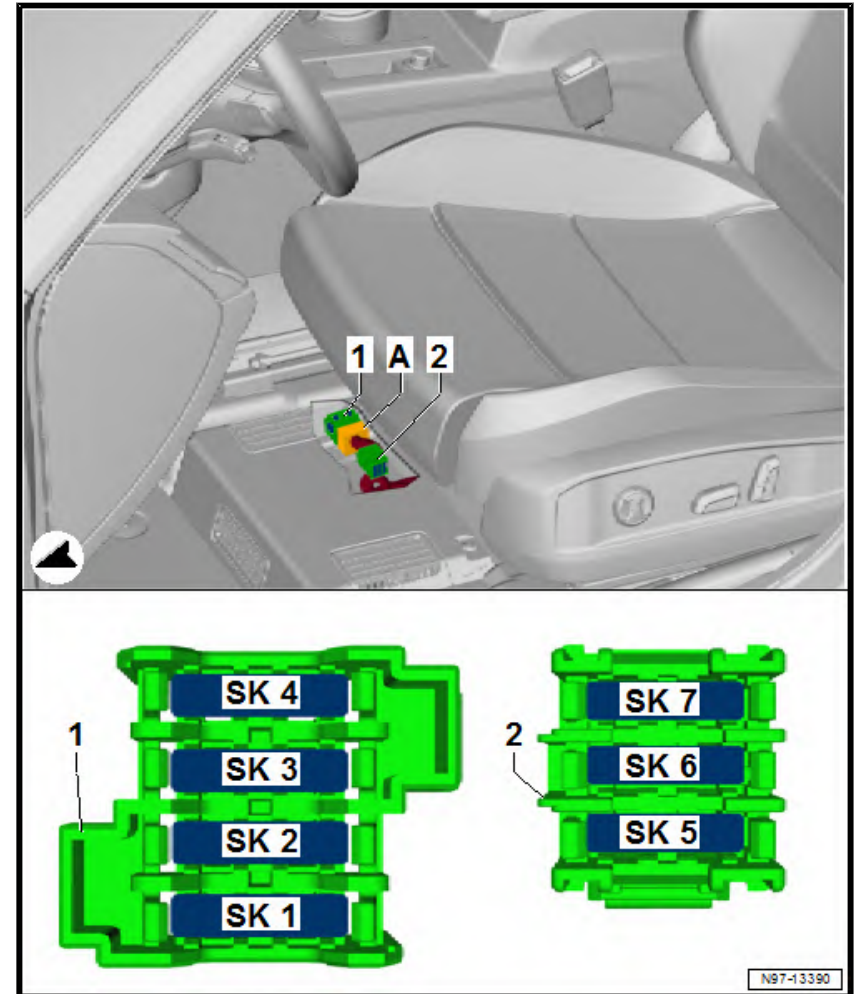
- ◆ 40 A - green
- ◆ 30 A - pink

**Fuse colours for ATO flat fuse:**

- ◆ 40 A - orange
- ◆ 30 A - light green
- ◆ 25 A - natural (white)
- ◆ 20 A - yellow
- ◆ 15 A - light blue
- ◆ 10 A - red
- ◆ 7.5 A - brown
- ◆ 5 A - light brown

**Fuse colours, for mini fuses:**

- ◆ 15 A - light blue
- ◆ 10 A - red
- ◆ 7.5 A - brown
- ◆ 5 A - light brown
- ◆ 1A - black



[Back to overview ⇒ page 1](#)

## 1.11 Fuse assignment for fuse holder K -SK-

### 1.11.1 Fuse assignment for fuse holder K -SK- , from April 2015, only for special vehicles

Slot	Current flow diagram designation	Nominal value	Function/component	Terminal
SK1	Fuse 1 on fuse holder K -SK1-	2)	Special vehicle fuse <sup>1)</sup>	30
SK2	Fuse 2 on fuse holder K -SK2-	2)	Special vehicle fuse <sup>1)</sup>	30
SK3	Fuse 3 on fuse holder K -SK3-	2)	Special vehicle fuse <sup>1)</sup>	30
SK4	Fuse 4 on fuse holder K -SK4-	2)	Special vehicle fuse <sup>1)</sup>	30
SK5	Fuse 5 on fuse holder K -SK5-	2)	Special vehicle fuse <sup>1)</sup>	30
SK6	Fuse 6 on fuse holder K -SK6-	2)	Special vehicle fuse <sup>1)</sup>	30
SK7	Fuse 7 on fuse holder K -SK7-	2)	Special vehicle fuse <sup>1)</sup>	30

<sup>1)</sup> According to equipment

<sup>2)</sup> Fuse rating, see installation description for special installations

[Back to overview ⇒ page 1](#)

## 1.12 Fitting location of fuse holder C -SC-

### 1.12.1 Fitting location of fuse holder C -SC- , LHD models

**1 - Fuse holder C -SC-**

**Fuse colours for J-Case fuse:**

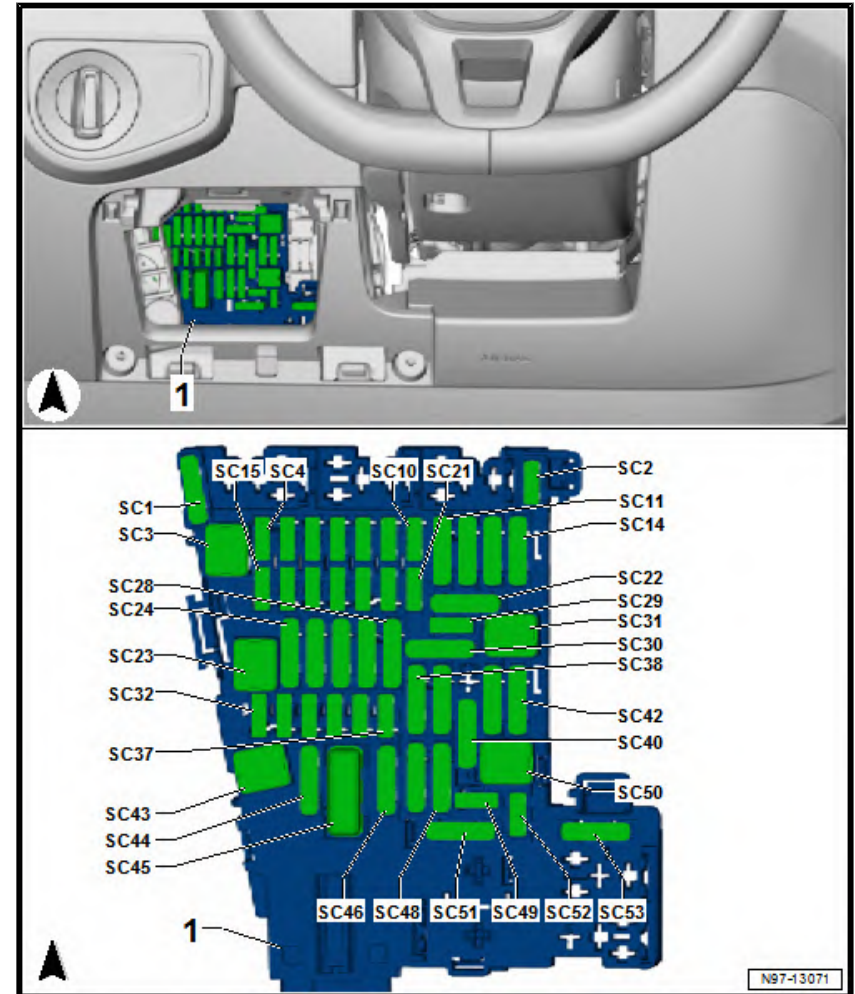
- ◆ 40 A - green
- ◆ 30 A - pink

**Fuse colours for ATO flat fuse:**

- ◆ 40 A - orange
- ◆ 30 A - light green
- ◆ 25 A - natural (white)
- ◆ 20 A - yellow
- ◆ 15 A - light blue
- ◆ 10 A - red
- ◆ 7.5 A - brown
- ◆ 5 A - light brown

**Fuse colours, for mini fuses:**

- ◆ 15 A - light blue
- ◆ 10 A - red
- ◆ 7.5 A - brown
- ◆ 5 A - light brown
- ◆ 1A - black





[Back to overview ⇒ page 1](#)

### 1.12.2 Fitting location of fuse holder C -SC- , RHD models

#### 1 - Fuse holder C -SC-

##### Fuse colours for J-Case fuse:

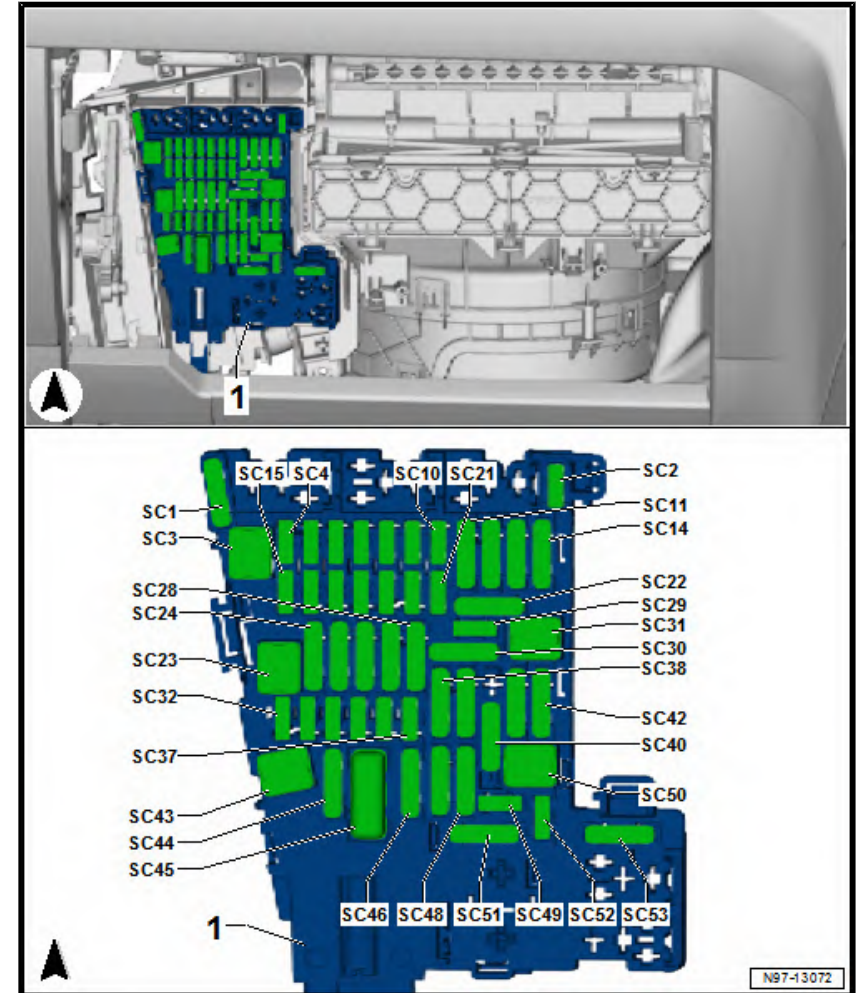
- ◆ 50 A - red
- ◆ 40 A - green
- ◆ 30 A - pink

##### Fuse colours for ATO flat fuse:

- ◆ 40 A - orange
- ◆ 30 A - light green
- ◆ 25 A - natural (white)
- ◆ 20 A - yellow
- ◆ 15 A - light blue
- ◆ 10 A - red
- ◆ 7.5 A - brown
- ◆ 5 A - light brown
- ◆ 1A - black

##### Fuse colours, for mini fuses:

- ◆ 20 A - yellow
- ◆ 15 A - light blue
- ◆ 10 A - red
- ◆ 7.5 A - brown
- ◆ 5 A - light brown
- ◆ 1A - black



[Back to overview ⇒ page 1](#)

### 1.13 Fuse assignment for fuse holder C -SC-

#### 1.13.1 Fuse assignment for fuse holder C -SC- , from September 2014

Slot	Current flow diagram designation	Nominal value	Function / component	Terminal
SC1	Fuse 1 on fuse holder C -SC1-	30 A	Control unit for reducing agent heater -J891-	30
SC2	Fuse 2 on fuse holder C -SC2-	10 A	Steering column electronics control unit -J527- <sup>4)</sup>	30
SC3	not assigned	-		-
SC4	not assigned	-		-
SC5	Fuse 5 on fuse holder C -SC5-	5 A	Data bus diagnostic interface -J533-	30
SC6	Fuse 6 on fuse holder C -SC6-	5 A	Anti-theft alarm sensor -G578-	30
SC7	Fuse 7 on fuse holder C -SC7-	10 A	Heater and air conditioning controls -EX21- Selector lever -E313- Remote control receiver for auxiliary coolant heater -R149- Heated rear window relay -J9- Analogue clock -Y- Operating and display unit for rear air conditioning system -E265- Tyre Pressure Monitoring System control unit -J502-	30
SC8	Fuse 8 on fuse holder C -SC8-	10 A	Rotary light switch -EX1- Electromechanical parking brake button -E538- Rain and light sensor -G397- Diagnostic connection -U31- Front interior light -WX1- <sup>3)</sup> Light for left dashboard background lighting -L229- <sup>3)</sup> Light for right dashboard background lighting -L230- <sup>3)</sup> Light for front left door contour lighting -L251- <sup>3)</sup> Light for front right door contour lighting -L252- <sup>3)</sup> Light for rear left door contour lighting -L253- <sup>3)</sup> Light for rear right door contour lighting -L254- <sup>3)</sup>	30
SC9	Fuse 9 on fuse holder C -SC9-	1 A	Steering column electronics control unit -J527-	30
SC10	Fuse 10 on fuse holder C -SC10-	10 A	Display unit for front information display and operating unit control unit -J685-	30

Slot	Current flow diagram designation	Nominal value	Function / component	Terminal
			TV tuner -RX6-	
SC11	Fuse 11 on fuse holder C -SC11-	25 A	Control unit for front left belt tensioner -J854-	30
SC12	Fuse 12 on fuse holder C -SC12-	20 A <sup>3)</sup> 5 A <sup>8)</sup>	Control unit 1 for information electronics -J794-	30
SC13	Fuse 13 on fuse holder C -SC13-	15 A	Electronically controlled damping control unit -J250-	30
SC14	Fuse 14 on fuse holder C -SC14-	30 A	Fresh air blower control unit -J126-	30
SC15	Fuse 15 on fuse holder C -SC15-	10 A	Control unit for electronic steering column lock -J764-	30
SC16	Fuse 16 on fuse holder C -SC16-	7.5 A	Two-way signal amplifier for mobile telephone/data services -J984- Storage compartment with interface for mobile telephone -R265- USB hub -R293- Chip card reader -D8-	30
SC17	Fuse 17 on fuse holder C -SC17-	5 A	Dash panel insert -KX2-	30
SC18	Fuse 18 on fuse holder C -SC18-	7.5 A	Reversing camera -R189- Rear lid handle release button -E234- Control unit for overhead view camera -J928- Rear overhead view camera -R246-	30
SC19	Fuse 19 on fuse holder C -SC19-	7.5 A	Interface for entry and start system -J965-	30
SC20	Fuse 20 on fuse holder C -SC20-	7.5 A	Relay for reducing agent metering system -J963-	30
SC21	Fuse 21 on fuse holder C -SC21-	15 A	All-wheel drive control unit -J492-	30
SC22	Fuse 22 on fuse holder C -SC22-	15 A	Trailer detector control unit -J345-	30
SC23	Fuse 23 on fuse holder C -SC23-	40 A	Onboard supply control unit -J519- ◆ Front right headlight -MX2-	30
SC24	Fuse 24 on fuse holder C -SC24-	30 A	Sliding sunroof adjustment control unit -J245-	30
SC25	Fuse 25 on fuse holder C -SC25-	30 A	Driver door control unit -J386- <sup>1)</sup> Front passenger door control unit -J387- <sup>2)</sup> Rear left door control unit -J388- Rear left window regulator motor -V26-	30 30
SC26	Fuse 26 on fuse holder C -SC26-	30 A	Onboard supply control unit -J519- ◆ Seat heating	30
SC27	Fuse 27 on fuse holder C -SC27-	30 A	Digital sound package control unit -J525-	30
SC28	Fuse 28 on fuse holder C -SC28-	20 A	Trailer detector control unit -J345-	30
SC29	not assigned	-		-

Slot	Current flow diagram designation	Nominal value	Function / component	Terminal
SC30	not assigned	-		-
SC31	Fuse 31 on fuse holder C -SC31-	40 A	Onboard supply control unit -J519- ◆ Front left headlight -MX1-	30
SC32	Fuse 32 on fuse holder C -SC32-	7.5 A 10 A <sup>5)</sup>	Front camera for driver assist systems -R242- Adaptive cruise control unit -J428- Parking aid control unit -J446- Park assist steering control unit -J791- Blind Spot Monitor control unit -J1086- Blind Spot Monitor control unit 2 -J1087-	15
SC33	Fuse 33 on fuse holder C -SC33-	5 A	Airbag control unit -J234- Warning lamp for airbag deactivated on front passenger side -K145-	15
SC34	Fuse 34 on fuse holder C -SC34-	7.5 A	Electromechanical parking brake button -E538- Interior mirror -EX5- Relay for power sockets -J807- Pedestrian protection warning lamp -K288- Switch module 2 in centre console -EX30- Pressure sender for refrigerant circuit -G805- External air quality and air humidity sensor -G935-	15
SC35	Fuse 35 on fuse holder C -SC35-	10 A	Diagnostic connection -U31- Headlight range control and instrument illumination regulator -EX14- Control unit for cornering light and headlight range control -J745- Front left headlight -MX1- ◆ Left headlight range control motor -V48-  Front right headlight -MX2- ◆ Right headlight range control motor -V49-	15
SC36	Fuse 36 on fuse holder C -SC36-	5 A	Front right headlight -MX2- ◆ Output module 1 for right LED headlight -A27-	15
SC37	Fuse 37 on fuse holder C -SC37-	5 A	Front left headlight -MX1- ◆ Output module 1 for left LED headlight -A31-	15
SC38	Fuse 38 on fuse holder C -SC38-	25 A	Trailer detector control unit -J345-	30
SC39	Fuse 39 on fuse holder C -SC39-	30 A	Front passenger door control unit -J387- <sup>1)</sup> Driver door control unit -J386- <sup>2)</sup>	30

Slot	Current flow diagram designation	Nominal value	Function / component	Terminal
			Rear right door control unit -J389- Rear right window regulator motor -V27-	30
SC40 <sup>6)</sup> , <sup>7)</sup>	Fuse 40 on fuse holder C -SC40-	20 A	Cigarette lighter -U1- <sup>3)</sup> 12 V socket -U5- <sup>3)</sup> 12 V socket 2 -U18- 12 V socket 3 -U19-	15 <sup>6)</sup> / 30 <sup>7)</sup>
SC41	Fuse 41 on fuse holder C -SC41-	25 A	Control unit for front right belt tensioner -J855-	30
SC42	Fuse 42 on fuse holder C -SC42-	40 A	Onboard supply control unit -J519- ◆ Central locking	30
SC43	Fuse 43 on fuse holder C -SC43-	30 A	Onboard supply control unit -J519-	30
SC44	Fuse 44 on fuse holder C -SC44-	15 A	Trailer detector control unit -J345-	30
SC45	Fuse 45 on fuse holder C -SC45-	15 A	Driver seat lumbar support adjustment switch -E176- Driver seat adjustment operating unit -E470- Driver seat adjustment control unit -J810- Operating unit for front left seat adjustment -EX33- Massage control unit -J740- Front left seat cushion fan 1 -V514- Front left seat backrest fan 1 -V512-	30
SC46	Fuse 46 on fuse holder C -SC46-	30 A	DC/AC converter with socket, 12 V - 230 V -U13-	30
SC47	Fuse 47 on fuse holder C -SC47-	15 A 7.5 A	Rear window wiper motor -V12- Rear roller blind control unit -J262-	15
SC48	not assigned	-		-
SC49	Fuse 49 on fuse holder C -SC49-	5 A	Clutch position sender -G476- Starter relay 1 -J906- Starter relay 2 -J907-	15
SC50	Fuse 50 on fuse holder C -SC50-	40 A	Rear lid control unit -J605-	30
SC51	Fuse 51 on fuse holder C -SC51-	25 A	Operating and display unit for rear air conditioning system -E265-	30
SC52	not assigned	-		
SC53	Fuse 53 on fuse holder C -SC53-	30 A	Heated rear window relay -J9-	15

<sup>1)</sup>Only left-hand drive models

<sup>2)</sup>Only right-hand drive models

- 3) Depending on equipment
- 4) Only models with heated steering wheel
- 5) Only models with blind spot monitor
- 6) Factory fitted with power supply from terminal 15
- 7) Power supply via terminal 30 possible
- 8) Only for radio Composition Colour



**Note**

*The fuse SC40 is supplied via terminal 15 from the factory and can be supplied via terminal 30 by reconnecting. If a consumer is connected to the electric socket or to the cigarette lighter, ensure that the consumer is disconnected from the voltage supply when the engine is switched off to prevent the drive battery being discharged.*

[Back to overview ⇒ page 1](#)

**1.13.2 Fuse assignment for fuse holder C -SC- , from May 2015**

Slot	Current flow diagram designation	Nominal value	Function / component	Terminal
SC1	Fuse 1 on fuse holder C -SC1-	30 A	Control unit for reducing agent heater -J891-	30
SC2	Fuse 2 on fuse holder C -SC2-	10 A	Steering column electronics control unit -J527- 4)	30
SC3	Fuse 3 on fuse holder C -SC3-	8)	Special vehicle fuse	-
SC4	not assigned	-		-
SC5	Fuse 5 on fuse holder C -SC5-	5 A	Data bus diagnostic interface -J533-	30
SC6	Fuse 6 on fuse holder C -SC6-	5 A	Selector lever -E313-	30
SC7	Fuse 7 on fuse holder C -SC7-	10 A	Heater and air conditioning controls -EX21- Remote control receiver for auxiliary coolant heater -R149- Heated rear window relay -J9- Analogue clock -Y- Operating and display unit for rear air conditioning system -E265- Magnetic clutch relay -J44- 3) Tyre Pressure Monitoring System control unit -J502-	30
SC8	Fuse 8 on fuse holder C -SC8-	10 A	Rotary light switch -EX1- Electromechanical parking brake button -E538-	30

Slot	Current flow diagram designation	Nominal value	Function / component	Terminal
			Rain and light sensor -G397- Diagnostic connection -U31- Anti-theft alarm sensor -G578- Front interior light -WX1- <sup>3)</sup> Light for left dashboard background lighting -L229- <sup>3)</sup> Light for right dashboard background lighting -L230- <sup>3)</sup> Light for front left door contour lighting -L251- <sup>3)</sup> Light for front right door contour lighting -L252- <sup>3)</sup> Light for rear left door contour lighting -L253- <sup>3)</sup> Light for rear right door contour lighting -L254- <sup>3)</sup>	
SC9	Fuse 9 on fuse holder C -SC9-	5 A	Steering column electronics control unit -J527-	30
SC10	Fuse 10 on fuse holder C -SC10-	10 A  8)	Display unit for front information display and operating unit control unit -J685- TV tuner -RX6- Special vehicle fuse	30
SC11	Fuse 11 on fuse holder C -SC11-	25 A	Control unit for front left belt tensioner -J854-	30
SC12	Fuse 12 on fuse holder C -SC12-	20 A <sup>3)</sup> 5 A <sup>10)</sup>	Control unit 1 for information electronics -J794-	30
SC13	Fuse 13 on fuse holder C -SC13-	15 A	Electronically controlled damping control unit -J250-	30
SC14	Fuse 14 on fuse holder C -SC14-	30 A	Fresh air blower control unit -J126-	30
SC15	Fuse 15 on fuse holder C -SC15-	10 A	Control unit for electronic steering column lock -J764-	30
SC16	Fuse 16 on fuse holder C -SC16-	7.5 A	Two-way signal amplifier for mobile telephone/data services -J984- Storage compartment with interface for mobile telephone -R265- USB hub -R293- Chip card reader -D8- Control unit for Head-up Display -J898-	30
SC17	Fuse 17 on fuse holder C -SC17-	5 A 7.5A <sup>9)</sup>	Dash panel insert -KX2-  Emergency call module control unit and communication unit -J949- <sup>9)</sup>	30
SC18	Fuse 18 on fuse holder C -SC18-	7.5 A	Reversing camera -R189- Rear lid handle release button -E234- Control unit for overhead view camera -J928- Rear overhead view camera -R246-	30



Slot	Current flow diagram designation	Nominal value	Function / component	Terminal
SC19	Fuse 19 on fuse holder C -SC19-	7.5 A	Interface for entry and start system -J965-	30
SC20	Fuse 20 on fuse holder C -SC20-	7.5 A	Relay for reducing agent metering system -J963-	30
SC21	Fuse 21 on fuse holder C -SC21-	15 A	All-wheel drive control unit -J492-	30
SC22	Fuse 22 on fuse holder C -SC22-	15 A	Trailer detector control unit -J345-	30
SC23	Fuse 23 on fuse holder C -SC23-	40 A	Onboard supply control unit -J519- ◆ Front right headlight -MX2-	30
SC24	Fuse 24 on fuse holder C -SC24-	30 A	Sliding sunroof adjustment control unit -J245-	30
SC25	Fuse 25 on fuse holder C -SC25-	30 A	Driver door control unit -J386- <sup>1)</sup> Front passenger door control unit -J387- <sup>2)</sup> Rear left door control unit -J388- Rear left window regulator motor -V26-	30 30
SC26	Fuse 26 on fuse holder C -SC26-	30 A	Onboard supply control unit -J519- ◆ Seat heating	30
SC27	Fuse 27 on fuse holder C -SC27-	30 A	Digital sound package control unit -J525-	30
SC28	Fuse 28 on fuse holder C -SC28-	25 A	Trailer detector control unit -J345-	30
SC29	Fuse 29 on fuse holder C -SC29-	<sup>8)</sup>	Special vehicle fuse	-
SC30	Fuse 30 on fuse holder C -SC30-	10A	High-voltage battery 1 -AX2- <sup>9)</sup> Maintenance connector for high-voltage system -TW- <sup>9)</sup>	-
SC31	Fuse 31 on fuse holder C -SC31-	40 A	Onboard supply control unit -J519- ◆ Front left headlight -MX1-	30
SC32	Fuse 32 on fuse holder C -SC32-	7.5 A 10 A <sup>5)</sup>	Front camera for driver assist systems -R242- Adaptive cruise control unit -J428- Parking aid control unit -J446- Park assist steering control unit -J791- Blind Spot Monitor control unit -J1086- Blind Spot Monitor control unit 2 -J1087-	15
SC33	Fuse 33 on fuse holder C -SC33-	5 A	Airbag control unit -J234- Warning lamp for airbag deactivated on front passenger side -K145-	15
SC34	Fuse 34 on fuse holder C -SC34-	7.5 A	Electromechanical parking brake button -E538- Interior mirror -EX5- Relay for power sockets -J807- Pedestrian protection warning lamp -K288-	15

Slot	Current flow diagram designation	Nominal value	Function / component	Terminal
			Switch module 2 in centre console -EX30- Pressure sender for refrigerant circuit -G805- External air quality and air humidity sensor -G935-	
SC35	Fuse 35 on fuse holder C -SC35-	10 A	Diagnostic connection -U31- Headlight range control and instrument illumination regulator -EX14- Control unit for cornering light and headlight range control -J745- Front left headlight -MX1- ◆ Left headlight range control motor -V48-  Front right headlight -MX2- ◆ Right headlight range control motor -V49-	15
SC36	Fuse 36 on fuse holder C -SC36-	5 A	Front right headlight -MX2- ◆ Output module 1 for right LED headlight -A27-	15
SC37	Fuse 37 on fuse holder C -SC37-	5 A	Front left headlight -MX1- ◆ Output module 1 for left LED headlight -A31-	15
SC38	Fuse 38 on fuse holder C -SC38-	25 A	Trailer detector control unit -J345-	30
SC39	Fuse 39 on fuse holder C -SC39-	30 A	Front passenger door control unit -J387- <sup>1)</sup> Driver door control unit -J386- <sup>2)</sup> Rear right door control unit -J389- Rear right window regulator motor -V27-	30 30
SC40 <sup>6), 7)</sup>	Fuse 40 on fuse holder C -SC40-	20 A	Cigarette lighter -U1- <sup>3)</sup> 12 V socket -U5- <sup>3)</sup> 12 V socket 2 -U18- 12 V socket 3 -U19-	15 <sup>6)</sup> / 30 <sup>7)</sup>
SC41	Fuse 41 on fuse holder C -SC41-	25 A	Control unit for front right belt tensioner -J855-	30
SC42	Fuse 42 on fuse holder C -SC42-	40 A	Onboard supply control unit -J519- ◆ Central locking	30
SC43	Fuse 43 on fuse holder C -SC43-	30 A	Onboard supply control unit -J519-	30
SC44	Fuse 44 on fuse holder C -SC44-	15 A	Trailer detector control unit -J345-	30
SC45	Fuse 45 on fuse holder C -SC45-	15 A	Driver seat lumbar support adjustment switch -E176- Driver seat adjustment operating unit -E470- Driver seat adjustment control unit -J810- Operating unit for front left seat adjustment -EX33-	30

Slot	Current flow diagram designation	Nominal value	Function / component	Terminal
			Massage control unit -J740- Front left seat cushion fan 1 -V514- Front left seat backrest fan 1 -V512-	
SC46	Fuse 46 on fuse holder C -SC46-	30 A	DC/AC converter with socket, 12 V - 230 V -U13-	30
SC47	Fuse 47 on fuse holder C -SC47-	15 A 7.5 A	Rear window wiper motor -V12- Rear roller blind control unit -J262- <sup>3)</sup>	15
SC48	Fuse 48 on fuse holder C -SC48-	7.5A	Engine sound generator control unit -J943- <sup>9)</sup>	-
SC49	Fuse 49 on fuse holder C -SC49-	5 A	Clutch position sender -G476- Starter relay 1 -J906- Starter relay 2 -J907- High-voltage battery 1 -AX2- <sup>9)</sup>	15
SC50	Fuse 50 on fuse holder C -SC50-	40 A	Rear lid control unit -J605-	30
SC51	Fuse 51 on fuse holder C -SC51-	25 A	Operating and display unit for rear air conditioning system -E265-	30
SC52	not assigned	-		
SC53	Fuse 53 on fuse holder C -SC53-	30 A	Heated rear window relay -J9-	15

<sup>1)</sup>Only left-hand drive models

<sup>2)</sup>Only right-hand drive models

<sup>3)</sup>Depending on equipment

<sup>4)</sup>Only models with heated steering wheel

<sup>5)</sup>Only models with blind spot monitor

<sup>6)</sup>Factory fitted with power supply from terminal 15

<sup>7)</sup>Power supply via terminal 30 possible

<sup>8)</sup>Fuse rating, see installation description for special equipment

<sup>9)</sup>Only models with hybrid drive system

<sup>10)</sup>Only for radio Composition Colour

**i** Note

The fuse SC40 is supplied via terminal 15 from the factory and can be supplied via terminal 30 by reconnecting. If a consumer is connected to the electric socket or to the cigarette lighter, ensure that the consumer is disconnected from the voltage supply when the engine is switched off to prevent the drive battery being discharged.

[Back to overview ⇒ page 1](#)

**1.13.3 Fuse assignment for fuse holder C -SC- , from November 2015**

Slot	Current flow diagram designation	Nominal value	Function / component	Terminal
SC1	Fuse 1 on fuse holder C -SC1-	30 A	Control unit for reducing agent heater -J891-	30
SC2	Fuse 2 on fuse holder C -SC2-	10 A	Steering column electronics control unit -J527- 4)	30
SC3	Fuse 3 on fuse holder C -SC3-	8)	Special vehicle fuse	-
SC4	not assigned	-		-
SC5	Fuse 5 on fuse holder C -SC5-	5 A	Data bus diagnostic interface -J533-	30
SC6	Fuse 6 on fuse holder C -SC6-	5 A	Selector lever -E313-	30
SC7	Fuse 7 on fuse holder C -SC7-	10 A	Heater and air conditioning controls -EX21- Remote control receiver for auxiliary coolant heater -R149- Heated rear window relay -J9- Analogue clock -Y- Operating and display unit for rear air conditioning system -E265- Magnetic clutch relay -J44- 3) Tyre Pressure Monitoring System control unit -J502-	30
SC8	Fuse 8 on fuse holder C -SC8-	10 A	Rotary light switch -EX1- Electromechanical parking brake button -E538- Rain and light sensor -G397- Diagnostic connection -U31- Anti-theft alarm sensor -G578- Front interior light -WX1- 3) Light for left dashboard background lighting -L229- 3) Light for right dashboard background lighting -L230- 3) Light for front left door contour lighting -L251- 3)	30

Slot	Current flow diagram designation	Nominal value	Function / component	Terminal
			Light for front right door contour lighting -L252- <sup>3)</sup> Light for rear left door contour lighting -L253- <sup>3)</sup> Light for rear right door contour lighting -L254- <sup>3)</sup>	
SC9	Fuse 9 on fuse holder C -SC9-	5 A	Steering column electronics control unit -J527-	30
SC10	Fuse 10 on fuse holder C -SC10-	7.5 A  8)	Display unit for front information display and operating unit control unit -J685- TV tuner -RX6- Special vehicle fuse	30
SC11	Fuse 11 on fuse holder C -SC11-	25 A	Control unit for front left belt tensioner -J854-	30
SC12	Fuse 12 on fuse holder C -SC12-	20 A <sup>3)</sup> 5 A <sup>10)</sup>	Control unit 1 for information electronics -J794-	30
SC13	Fuse 13 on fuse holder C -SC13-	15 A	Electronically controlled damping control unit -J250-	30
SC14	Fuse 14 on fuse holder C -SC14-	30 A	Fresh air blower control unit -J126-	30
SC15	Fuse 15 on fuse holder C -SC15-	10 A	Control unit for electronic steering column lock -J764-	30
SC16	Fuse 16 on fuse holder C -SC16-	7.5 A	Two-way signal amplifier for mobile telephone/data services -J984- Storage compartment with interface for mobile telephone -R265- USB hub -R293- Chip card reader -D8- Control unit for Head-up Display -J898-	30
SC17	Fuse 17 on fuse holder C -SC17-	5 A 7.5A <sup>9)</sup>	Dash panel insert -KX2-  Emergency call module control unit and communication unit -J949- <sup>9)</sup>	30
SC18	Fuse 18 on fuse holder C -SC18-	7.5 A	Reversing camera -R189- Rear lid handle release button -E234- Control unit for overhead view camera -J928- Rear overhead view camera -R246-	30
SC19	Fuse 19 on fuse holder C -SC19-	7.5 A	Interface for entry and start system -J965-	30
SC20	Fuse 20 on fuse holder C -SC20-	7.5 A	Relay for reducing agent metering system -J963-	30
SC21	Fuse 21 on fuse holder C -SC21-	15 A	All-wheel drive control unit -J492-	30
SC22	Fuse 22 on fuse holder C -SC22-	15 A	Trailer detector control unit -J345-	30
SC23	Fuse 23 on fuse holder C -SC23-	40 A	Onboard supply control unit -J519- ◆ Front right headlight -MX2-	30
SC24	Fuse 24 on fuse holder C -SC24-	30 A	Sliding sunroof adjustment control unit -J245-	30

Slot	Current flow diagram designation	Nominal value	Function / component	Terminal
SC25	Fuse 25 on fuse holder C -SC25-	30 A	Driver door control unit -J386- <sup>1)</sup> Front passenger door control unit -J387- <sup>2)</sup> Rear left door control unit -J388- Rear left window regulator motor -V26-	30 30
SC26	Fuse 26 on fuse holder C -SC26-	30 A	Onboard supply control unit -J519- ◆ Seat heating	30
SC27	Fuse 27 on fuse holder C -SC27-	40 A	Digital sound package control unit -J525-	30
SC28	Fuse 28 on fuse holder C -SC28-	25 A	Trailer detector control unit -J345-	30
SC29	Fuse 29 on fuse holder C -SC29-	8)	Special vehicle fuse	-
SC30	Fuse 30 on fuse holder C -SC30-	10A	High-voltage battery 1 -AX2- <sup>9)</sup> Maintenance connector for high-voltage system -TW- <sup>9)</sup>	-
SC31	Fuse 31 on fuse holder C -SC31-	40 A	Onboard supply control unit -J519- ◆ Front left headlight -MX1-	30
SC32	Fuse 32 on fuse holder C -SC32-	7.5 A 10 A <sup>5)</sup>	Front camera for driver assist systems -R242- Adaptive cruise control unit -J428- Parking aid control unit -J446- Park assist steering control unit -J791- Blind Spot Monitor control unit -J1086- Blind Spot Monitor control unit 2 -J1087-	15
SC33	Fuse 33 on fuse holder C -SC33-	5 A	Airbag control unit -J234- Warning lamp for airbag deactivated on front passenger side -K145-	15
SC34	Fuse 34 on fuse holder C -SC34-	7.5 A	Electromechanical parking brake button -E538- Interior mirror -EX5- Relay for power sockets -J807- Pedestrian protection warning lamp -K288- Switch module 2 in centre console -EX30- Pressure sender for refrigerant circuit -G805- External air quality and air humidity sensor -G935-	15
SC35	Fuse 35 on fuse holder C -SC35-	10 A	Diagnostic connection -U31- Headlight range control and instrument illumination regulator -EX14- Control unit for cornering light and headlight range control -J745-	15

Slot	Current flow diagram designation	Nominal value	Function / component	Terminal
			Front left headlight -MX1- ♦ Left headlight range control motor -V48-  Front right headlight -MX2- ♦ Right headlight range control motor -V49-	
SC36	Fuse 36 on fuse holder C -SC36-	5 A	Front right headlight -MX2- ♦ Output module 1 for right LED headlight -A27-	15
SC37	Fuse 37 on fuse holder C -SC37-	5 A	Front left headlight -MX1- ♦ Output module 1 for left LED headlight -A31-	15
SC38	Fuse 38 on fuse holder C -SC38-	25 A	Trailer detector control unit -J345-	30
SC39	Fuse 39 on fuse holder C -SC39-	30 A	Front passenger door control unit -J387- <sup>1)</sup> Driver door control unit -J386- <sup>2)</sup> Rear right door control unit -J389- Rear right window regulator motor -V27-	30
SC40 <sup>6), 7)</sup>	Fuse 40 on fuse holder C -SC40-	20 A	Cigarette lighter -U1- <sup>3)</sup> 12 V socket -U5- <sup>3)</sup> 12 V socket 2 -U18- 12 V socket 3 -U19-	15 <sup>6)</sup> / 30 <sup>7)</sup>
SC41	Fuse 41 on fuse holder C -SC41-	25 A	Control unit for front right belt tensioner -J855-	30
SC42	Fuse 42 on fuse holder C -SC42-	40 A	Onboard supply control unit -J519- ♦ Central locking	30
SC43	Fuse 43 on fuse holder C -SC43-	30 A	Onboard supply control unit -J519-	30
SC44	Fuse 44 on fuse holder C -SC44-	15 A	Trailer detector control unit -J345-	30
SC45	Fuse 45 on fuse holder C -SC45-	15 A	Driver seat lumbar support adjustment switch -E176- Driver seat adjustment operating unit -E470- Driver seat adjustment control unit -J810- Operating unit for front left seat adjustment -EX33- Massage control unit -J740- Front left seat cushion fan 1 -V514- Front left seat backrest fan 1 -V512-	30
SC46	Fuse 46 on fuse holder C -SC46-	30 A	DC/AC converter with socket, 12 V - 230 V -U13-	30
SC47	Fuse 47 on fuse holder C -SC47-	15 A 7.5 A	Rear window wiper motor -V12- Rear roller blind control unit -J262- <sup>3)</sup>	15



Slot	Current flow diagram designation	Nominal value	Function / component	Terminal
SC48	Fuse 48 on fuse holder C -SC48-	7.5A	Engine sound generator control unit -J943- <sup>9)</sup>	-
SC49	Fuse 49 on fuse holder C -SC49-	5 A	Clutch position sender -G476- Starter relay 1 -J906- Starter relay 2 -J907- High-voltage battery 1 -AX2- <sup>9)</sup>	15
SC50	Fuse 50 on fuse holder C -SC50-	40 A	Rear lid control unit -J605-	30
SC51	Fuse 51 on fuse holder C -SC51-	25 A	Operating and display unit for rear air conditioning system -E265-	30
SC52	not assigned	-		
SC53	Fuse 53 on fuse holder C -SC53-	30 A	Heated rear window relay -J9-	15

<sup>1)</sup>Only left-hand drive models

<sup>2)</sup>Only right-hand drive models

<sup>3)</sup>Depending on equipment

<sup>4)</sup>Only models with heated steering wheel

<sup>5)</sup>Only models with blind spot monitor

<sup>6)</sup>Factory fitted with power supply from terminal 15

<sup>7)</sup>Power supply via terminal 30 possible

<sup>8)</sup>Fuse rating, see installation description for special equipment

<sup>9)</sup>Only models with hybrid drive system

<sup>10)</sup>Only for radio Composition Colour



**Note**

*The fuse SC40 is supplied via terminal 15 from the factory and can be supplied via terminal 30 by reconnecting. If a consumer is connected to the electric socket or to the cigarette lighter, ensure that the consumer is disconnected from the voltage supply when the engine is switched off to prevent the drive battery being discharged.*

[Back to overview ⇒ page 1](#)
**1.13.4 Fuse assignment for fuse holder C -SC- , from May 2016**

Slot	Current flow diagram designation	Nominal value	Function / component	Terminal
SC1	Fuse 1 on fuse holder C -SC1-	30 A	Control unit for reducing agent heater -J891-	30
SC2	Fuse 2 on fuse holder C -SC2-	10 A	Steering column electronics control unit -J527- <sup>4)</sup>	30
SC3	Fuse 3 on fuse holder C -SC3-	8)	Special vehicle fuse	-
SC4	not assigned	-		-
SC5	Fuse 5 on fuse holder C -SC5-	5 A	Data bus diagnostic interface -J533-	30
SC6	Fuse 6 on fuse holder C -SC6-	5 A	Selector lever -E313-	30
SC7	Fuse 7 on fuse holder C -SC7-	10 A	Heater and air conditioning controls -EX21- Remote control receiver for auxiliary coolant heater -R149- Heated rear window relay -J9- Analogue clock -Y- Operating and display unit for rear air conditioning system -E265- Magnetic clutch relay -J44- <sup>3)</sup> Tyre Pressure Monitoring System control unit -J502-	30
SC8	Fuse 8 on fuse holder C -SC8-	10 A	Rotary light switch -EX1- Electromechanical parking brake button -E538- Rain and light sensor -G397- Diagnostic connection -U31- Anti-theft alarm sensor -G578- Front interior light -WX1- <sup>3)</sup> Light for left dashboard background lighting -L229- <sup>3)</sup> Light for right dashboard background lighting -L230- <sup>3)</sup> Light for front left door contour lighting -L251- <sup>3)</sup> Light for front right door contour lighting -L252- <sup>3)</sup> Light for rear left door contour lighting -L253- <sup>3)</sup> Light for rear right door contour lighting -L254- <sup>3)</sup>	30
SC9	Fuse 9 on fuse holder C -SC9-	5 A	Steering column electronics control unit -J527-	30
SC10	Fuse 10 on fuse holder C -SC10-	7.5 A	Display unit for front information display and operating unit control unit -J685- Control unit for Head-up Display -J898-	30
SC11	Fuse 11 on fuse holder C -SC11-	25 A	Control unit for front left belt tensioner -J854-	30

Slot	Current flow diagram designation	Nominal value	Function / component	Terminal
SC12	Fuse 12 on fuse holder C -SC12-	20 A <sup>3)</sup> 5 A <sup>10)</sup>	Control unit 1 for information electronics -J794-	30
SC13	Fuse 13 on fuse holder C -SC13-	15 A	Electronically controlled damping control unit -J250-	30
SC14	Fuse 14 on fuse holder C -SC14-	40 A	Fresh air blower control unit -J126-	30
SC15	Fuse 15 on fuse holder C -SC15-	10 A	Control unit for electronic steering column lock -J764-	30
SC16	Fuse 16 on fuse holder C -SC16-	7.5 A  8)	Two-way signal amplifier for mobile telephone/data services -J984- Storage compartment with interface for mobile telephone -R265- USB hub -R293- Chip card reader -D8- TV tuner -RX6- Special vehicle fuse	30
SC17	Fuse 17 on fuse holder C -SC17-	5 A 7.5A <sup>9)</sup>	Dash panel insert -KX2-  Emergency call module control unit and communication unit -J949- <sup>9)</sup>	30
SC18	Fuse 18 on fuse holder C -SC18-	7.5 A	Reversing camera -R189- Rear lid handle release button -E234- Control unit for overhead view camera -J928- Rear overhead view camera -R246-	30
SC19	Fuse 19 on fuse holder C -SC19-	7.5 A	Interface for entry and start system -J965-	30
SC20	Fuse 20 on fuse holder C -SC20-	7.5 A	Relay for reducing agent metering system -J963-	30
SC21	Fuse 21 on fuse holder C -SC21-	15 A	All-wheel drive control unit -J492-	30
SC22	Fuse 22 on fuse holder C -SC22-	15 A	Trailer detector control unit -J345-	30
SC23	Fuse 23 on fuse holder C -SC23-	40 A	Onboard supply control unit -J519- ◆ Front right headlight -MX2-	30
SC24	Fuse 24 on fuse holder C -SC24-	30 A	Sliding sunroof adjustment control unit -J245-	30
SC25	Fuse 25 on fuse holder C -SC25-	30 A	Driver door control unit -J386- <sup>1)</sup> Front passenger door control unit -J387- <sup>2)</sup> Rear left door control unit -J388- Rear left window regulator motor -V26-	30 30
SC26	Fuse 26 on fuse holder C -SC26-	30 A	Onboard supply control unit -J519- ◆ Seat heating	30
SC27	Fuse 27 on fuse holder C -SC27-	40 A	Digital sound package control unit -J525-	30

Slot	Current flow diagram designation	Nominal value	Function / component	Terminal
SC28	Fuse 28 on fuse holder C -SC28-	25 A	Trailer detector control unit -J345-	30
SC29	Fuse 29 on fuse holder C -SC29-	8)	Special vehicle fuse	-
SC30	Fuse 30 on fuse holder C -SC30-	10A	High-voltage battery 1 -AX2- 9) Maintenance connector for high-voltage system -TW- 9)	-
SC31	Fuse 31 on fuse holder C -SC31-	40 A	Onboard supply control unit -J519- ◆ Front left headlight -MX1-	30
SC32	Fuse 32 on fuse holder C -SC32-	7.5 A 10 A 5)	Front camera for driver assist systems -R242- Adaptive cruise control unit -J428- Parking aid control unit -J446- Park assist steering control unit -J791- Blind Spot Monitor control unit -J1086- Blind Spot Monitor control unit 2 -J1087-	15
SC33	Fuse 33 on fuse holder C -SC33-	5 A	Airbag control unit -J234- Warning lamp for airbag deactivated on front passenger side -K145-	15
SC34	Fuse 34 on fuse holder C -SC34-	7.5 A	Electromechanical parking brake button -E538- Interior mirror -EX5- Relay for power sockets -J807- Pedestrian protection warning lamp -K288- Switch module 2 in centre console -EX30- Pressure sender for refrigerant circuit -G805- External air quality and air humidity sensor -G935-	15
SC35	Fuse 35 on fuse holder C -SC35-	10 A	Diagnostic connection -U31- Headlight range control and instrument illumination regulator -EX14- Control unit for cornering light and headlight range control -J745- Front left headlight -MX1- ◆ Left headlight range control motor -V48-  Front right headlight -MX2- ◆ Right headlight range control motor -V49-	15
SC36	Fuse 36 on fuse holder C -SC36-	5 A	Front right headlight -MX2- ◆ Output module 1 for right LED headlight -A27-	15
SC37	Fuse 37 on fuse holder C -SC37-	5 A	Front left headlight -MX1- ◆ Output module 1 for left LED headlight -A31-	15

Slot	Current flow diagram designation	Nominal value	Function / component	Terminal
SC38	Fuse 38 on fuse holder C -SC38-	25 A	Trailer detector control unit -J345-	30
SC39	Fuse 39 on fuse holder C -SC39-	30 A	Front passenger door control unit -J387- <sup>1)</sup> Driver door control unit -J386- <sup>2)</sup> Rear right door control unit -J389- Rear right window regulator motor -V27-	30  30
SC40 <sup>6), 7)</sup>	Fuse 40 on fuse holder C -SC40-	20 A	Cigarette lighter -U1- <sup>3)</sup> 12 V socket -U5- <sup>3)</sup> 12 V socket 2 -U18- 12 V socket 3 -U19-	15 <sup>6)</sup> / 30 <sup>7)</sup>
SC41	Fuse 41 on fuse holder C -SC41-	25 A	Control unit for front right belt tensioner -J855-	30
SC42	Fuse 42 on fuse holder C -SC42-	40 A	Onboard supply control unit -J519- ◆ Central locking	30
SC43	Fuse 43 on fuse holder C -SC43-	30 A	Onboard supply control unit -J519-	30
SC44	Fuse 44 on fuse holder C -SC44-	15 A	Trailer detector control unit -J345-	30
SC45	Fuse 45 on fuse holder C -SC45-	15 A	Driver seat lumbar support adjustment switch -E176- Driver seat adjustment operating unit -E470- Driver seat adjustment control unit -J810- Operating unit for front left seat adjustment -EX33- Massage control unit -J740- Front left seat cushion fan 1 -V514- Front left seat backrest fan 1 -V512-	30
SC46	Fuse 46 on fuse holder C -SC46-	30 A	DC/AC converter with socket, 12 V - 230 V -U13-	30
SC47	Fuse 47 on fuse holder C -SC47-	15 A 7.5 A	Rear window wiper motor -V12- Rear roller blind control unit -J262- <sup>3)</sup>	15
SC48	Fuse 48 on fuse holder C -SC48-	7.5 A	Engine sound generator control unit -J943- <sup>9)</sup>	-
SC49	Fuse 49 on fuse holder C -SC49-	5 A	Clutch position sender -G476- Starter relay 1 -J906- Starter relay 2 -J907- High-voltage battery 1 -AX2- <sup>9)</sup>	15
SC50	Fuse 50 on fuse holder C -SC50-	40 A	Rear lid control unit -J605-	30
SC51	Fuse 51 on fuse holder C -SC51-	25 A	Operating and display unit for rear air conditioning system -E265-	30
SC52	not assigned	-		

Slot	Current flow diagram designation	Nominal value	Function / component	Terminal
SC53	Fuse 53 on fuse holder C -SC53-	30 A	Heated rear window relay -J9-	15

- 1) Only left-hand drive models
- 2) Only right-hand drive models
- 3) Depending on equipment
- 4) Only models with heated steering wheel
- 5) Only models with blind spot monitor
- 6) Factory fitted with power supply from terminal 15
- 7) Power supply via terminal 30 possible
- 8) Fuse rating, see installation description for special equipment
- 9) Only models with hybrid drive system
- 10) Only for radio Composition Colour



**Note**

*The fuse SC40 is supplied via terminal 15 from the factory and can be supplied via terminal 30 by reconnecting. If a consumer is connected to the electric socket or to the cigarette lighter, ensure that the consumer is disconnected from the voltage supply when the engine is switched off to prevent the drive battery being discharged.*

[Back to overview ⇒ page 1](#)

**1.13.5 Fuse assignment for fuse holder C -SC- , from November 2016**

Slot	Current flow diagram designation	Nominal value	Function / component	Terminal
SC1	Fuse 1 on fuse holder C -SC1-	30 A	Control unit for reducing agent heater -J891-	30
SC2	Fuse 2 on fuse holder C -SC2-	10 A	Steering column electronics control unit -J527- 4)	30
SC3	not assigned	-		-
SC4	not assigned	-		-
SC5	Fuse 5 on fuse holder C -SC5-	5 A	Data bus diagnostic interface -J533-	30
SC6	Fuse 6 on fuse holder C -SC6-	5 A	Selector lever -E313-	30

Slot	Current flow diagram designation	Nominal value	Function / component	Terminal
SC7	Fuse 7 on fuse holder C -SC7-	10 A	Heater and air conditioning controls -EX21- Remote control receiver for auxiliary coolant heater -R149- Heated rear window relay -J9- Analogue clock -Y- Magnetic clutch relay -J44- <sup>3)</sup> Operating and display unit for rear air conditioning system -E265- Tyre Pressure Monitoring System control unit -J502-	30
SC8	Fuse 8 on fuse holder C -SC8-	10 A	Rotary light switch -EX1- Electromechanical parking brake button -E538- Rain and light sensor -G397- Diagnostic connection -U31- Anti-theft alarm sensor -G578- Front interior light -WX1- <sup>3)</sup> Light for left dashboard background lighting -L229- <sup>3)</sup> Light for right dashboard background lighting -L230- <sup>3)</sup> Light for front left door contour lighting -L251- <sup>3)</sup> Light for front right door contour lighting -L252- <sup>3)</sup> Light for rear left door contour lighting -L253- <sup>3)</sup> Light for rear right door contour lighting -L254- <sup>3)</sup> Control unit for cornering light and headlight range control -J745- <sup>3)</sup>	30
SC9	Fuse 9 on fuse holder C -SC9-	5 A	Steering column electronics control unit -J527-	30
SC10	Fuse 10 on fuse holder C -SC10-	7.5 A	Display unit for front information display and operating unit control unit -J685- Control unit for Head-up Display -J898-	30
SC11	Fuse 11 on fuse holder C -SC11-	25 A	Control unit for front left belt tensioner -J854-	30
SC12	Fuse 12 on fuse holder C -SC12-	20 A <sup>3)</sup> 5 A <sup>10)</sup>	Control unit 1 for information electronics -J794-	30
SC13	Fuse 13 on fuse holder C -SC13-	15 A	Electronically controlled damping control unit -J250-	30
SC14	Fuse 14 on fuse holder C -SC14-	40 A	Fresh air blower control unit -J126-	30
SC15	Fuse 15 on fuse holder C -SC15-	10 A	Control unit for electronic steering column lock -J764-	30
SC16	Fuse 16 on fuse holder C -SC16-	7.5 A	Two-way signal amplifier for mobile telephone/data services -J984- Storage compartment with interface for mobile telephone -R265- USB hub -R293-	30

Slot	Current flow diagram designation	Nominal value	Function / component	Terminal
		8)	Chip card reader -D8- TV tuner -RX6- Special vehicle fuse	
SC17	Fuse 17 on fuse holder C -SC17-	5 A 7.5A <sup>9)</sup>	Dash panel insert -KX2-  Emergency call module control unit and communication unit -J949- <sup>9)</sup>	30
SC18	Fuse 18 on fuse holder C -SC18-	7.5 A	Reversing camera -R189- Rear lid handle release button -E234- Control unit for overhead view camera -J928- Rear overhead view camera -R246-	30
SC19	Fuse 19 on fuse holder C -SC19-	7.5 A	Interface for entry and start system -J965-	30
SC20	Fuse 20 on fuse holder C -SC20-	7.5 A	Relay for reducing agent metering system -J963-	30
SC21	Fuse 21 on fuse holder C -SC21-	15 A	All-wheel drive control unit -J492-	30
SC22	Fuse 22 on fuse holder C -SC22-	15 A	Trailer detector control unit -J345-	30
SC23	Fuse 23 on fuse holder C -SC23-	40 A	Onboard supply control unit -J519- ◆ Front right headlight -MX2-	30
SC24	Fuse 24 on fuse holder C -SC24-	30 A	Sliding sunroof adjustment control unit -J245-	30
SC25	Fuse 25 on fuse holder C -SC25-	30 A	Driver door control unit -J386- <sup>1)</sup> Front passenger door control unit -J387- <sup>2)</sup> Rear left door control unit -J388- Rear left window regulator motor -V26-	30 30
SC26	Fuse 26 on fuse holder C -SC26-	30 A	Onboard supply control unit -J519- ◆ Seat heating	30
SC27	Fuse 27 on fuse holder C -SC27-	40 A	Digital sound package control unit -J525-	30
SC28	Fuse 28 on fuse holder C -SC28-	25 A	Trailer detector control unit -J345-	30
SC29	not assigned	-		-
SC30	Fuse 30 on fuse holder C -SC30-	10A	High-voltage battery 1 -AX2- <sup>9)</sup> Maintenance connector for high-voltage system -TW- <sup>9)</sup>	-
SC31	Fuse 31 on fuse holder C -SC31-	40 A	Onboard supply control unit -J519- ◆ Front left headlight -MX1-	30
SC32	Fuse 32 on fuse holder C -SC32-	7.5 A 10 A <sup>5)</sup>	Front camera for driver assist systems -R242- Adaptive cruise control unit -J428-	15



Slot	Current flow diagram designation	Nominal value	Function / component	Terminal
			Parking aid control unit -J446- Park assist steering control unit -J791- Blind Spot Monitor control unit -J1086- Blind Spot Monitor control unit 2 -J1087-	
SC33	Fuse 33 on fuse holder C -SC33-	5 A	Airbag control unit -J234- Warning lamp for airbag deactivated on front passenger side -K145-	15
SC34	Fuse 34 on fuse holder C -SC34-	7.5 A	Electromechanical parking brake button -E538- Interior mirror -EX5- Relay for power sockets -J807- Pedestrian protection warning lamp -K288- Switch module 2 in centre console -EX30- Pressure sender for refrigerant circuit -G805- External air quality and air humidity sensor -G935-	15
SC35	Fuse 35 on fuse holder C -SC35-	10 A	Diagnostic connection -U31- Headlight range control and instrument illumination regulator -EX14- Control unit for cornering light and headlight range control -J745- Front left headlight -MX1- ◆ Left headlight range control motor -V48-  Front right headlight -MX2- ◆ Right headlight range control motor -V49-	15
SC36	Fuse 36 on fuse holder C -SC36-	5 A	Front right headlight -MX2- ◆ Output module 1 for right LED headlight -A27-	15
SC37	Fuse 37 on fuse holder C -SC37-	5 A	Front left headlight -MX1- ◆ Output module 1 for left LED headlight -A31-	15
SC38	Fuse 38 on fuse holder C -SC38-	25 A	Trailer detector control unit -J345-	30
SC39	Fuse 39 on fuse holder C -SC39-	30 A	Front passenger door control unit -J387- <sup>1)</sup> Driver door control unit -J386- <sup>2)</sup> Rear right door control unit -J389- Rear right window regulator motor -V27-	30 30
SC40 <sup>6), 7)</sup>	Fuse 40 on fuse holder C -SC40-	20 A	Cigarette lighter -U1- <sup>3)</sup> 12 V socket -U5- <sup>3)</sup> 12 V socket 2 -U18-	15 <sup>6)</sup> / 30 <sup>7)</sup>

Slot	Current flow diagram designation	Nominal value	Function / component	Terminal
			12 V socket 3 -U19-	
SC41	Fuse 41 on fuse holder C -SC41-	25 A	Control unit for front right belt tensioner -J855-	30
SC42	Fuse 42 on fuse holder C -SC42-	40 A	Onboard supply control unit -J519- ◆ Central locking	30
SC43	Fuse 43 on fuse holder C -SC43-	30 A	Onboard supply control unit -J519-	30
SC44	Fuse 44 on fuse holder C -SC44-	15 A	Trailer detector control unit -J345-	30
SC45	Fuse 45 on fuse holder C -SC45-	15 A	Driver seat lumbar support adjustment switch -E176- Driver seat adjustment operating unit -E470- Driver seat adjustment control unit -J810- Operating unit for front left seat adjustment -EX33- Massage control unit -J740- Front left seat cushion fan 1 -V514- Front left seat backrest fan 1 -V512-	30
SC46	Fuse 46 on fuse holder C -SC46-	30 A	DC/AC converter with socket, 12 V - 230 V -U13-	30
SC47	Fuse 47 on fuse holder C -SC47-	15 A 7.5 A	Rear window wiper motor -V12- Rear roller blind control unit -J262- <sup>3)</sup>	15
SC48	Fuse 48 on fuse holder C -SC48-	7.5A	Engine sound generator control unit -J943- <sup>9)</sup>	-
SC49	Fuse 49 on fuse holder C -SC49-	5 A	Clutch position sender -G476- Starter relay 1 -J906- Starter relay 2 -J907- High-voltage battery 1 -AX2- <sup>9)</sup>	15
SC50	Fuse 50 on fuse holder C -SC50-	40 A	Rear lid control unit -J605-	30
SC51	Fuse 51 on fuse holder C -SC51-	25 A	Operating and display unit for rear air conditioning system -E265-	30
SC52	not assigned	-		
SC53	Fuse 53 on fuse holder C -SC53-	30 A	Heated rear window relay -J9-	15

<sup>1)</sup>Only left-hand drive models

<sup>2)</sup>Only right-hand drive models

<sup>3)</sup>Depending on equipment

<sup>4)</sup>Only models with heated steering wheel

<sup>5)</sup>Only models with blind spot monitor

- 6) Factory fitted with power supply from terminal 15
- 7) Power supply via terminal 30 possible
- 8) Fuse rating, see installation description for special equipment
- 9) Only models with hybrid drive system
- 10) Only for radio Composition Colour



**Note**

*The fuse SC40 is supplied via terminal 15 from the factory and can be supplied via terminal 30 by reconnecting. If a consumer is connected to the electric socket or to the cigarette lighter, ensure that the consumer is disconnected from the voltage supply when the engine is switched off to prevent the drive battery being discharged.*

[Back to overview](#) ⇒ [page 1](#)

**1.13.6 Fuse assignment for fuse holder C -SC- , from May 2017**

Slot	Current flow diagram designation	Nominal value	Function / component	Terminal
SC1	Fuse 1 on fuse holder C -SC1-	30 A <sup>3)</sup> 20 A <sup>3)</sup>	Control unit for reducing agent heater -J891-	30
SC2	Fuse 2 on fuse holder C -SC2-	10 A	Steering column electronics control unit -J527- <sup>4)</sup>	30
SC3	not assigned	-		-
SC4	not assigned	-		-
SC5	Fuse 5 on fuse holder C -SC5-	5 A	Data bus diagnostic interface -J533-	30
SC6	Fuse 6 on fuse holder C -SC6-	5 A	Selector lever -E313-	30
SC7	Fuse 7 on fuse holder C -SC7-	10 A	Heater and air conditioning controls -EX21- Remote control receiver for auxiliary coolant heater -R149- Heated rear window relay -J9- Analogue clock -Y- Operating and display unit for rear air conditioning system -E265- Magnetic clutch relay -J44- <sup>3)</sup> Tyre Pressure Monitoring System control unit -J502- <sup>3)</sup>	30
SC8	Fuse 8 on fuse holder C -SC8-	10 A	Rotary light switch -EX1- Electromechanical parking brake button -E538-	30

Slot	Current flow diagram designation	Nominal value	Function / component	Terminal
			Rain and light sensor -G397- Diagnostic connection -U31- Anti-theft alarm sensor -G578- Front interior light -WX1- <sup>3)</sup> Light for left dashboard background lighting -L229- <sup>3)</sup> Light for right dashboard background lighting -L230- <sup>3)</sup> Light for front left door contour lighting -L251- <sup>3)</sup> Light for front right door contour lighting -L252- <sup>3)</sup> Light for rear left door contour lighting -L253- <sup>3)</sup> Light for rear right door contour lighting -L254- <sup>3)</sup> Control unit for cornering light and headlight range control -J745- <sup>3)</sup>	
SC9	Fuse 9 on fuse holder C -SC9-	5 A	Steering column electronics control unit -J527-	30
SC10	Fuse 10 on fuse holder C -SC10-	7.5 A	Display unit for front information display and operating unit control unit -J685- Control unit for Head-up Display -J898- <sup>3)</sup> TV tuner -RX6- <sup>3)</sup> CD player -R89- <sup>3)</sup>	30
SC11	Fuse 11 on fuse holder C -SC11-	40 A	Onboard supply control unit -J519- ♦ Front left headlight -MX1-	30
SC12	Fuse 12 on fuse holder C -SC12-	20 A <sup>3)</sup> 5 A <sup>10)</sup>	Control unit 1 for information electronics -J794-	30
SC13	Fuse 13 on fuse holder C -SC13-	25 A	Control unit for front left belt tensioner -J854-	30
SC14	Fuse 14 on fuse holder C -SC14-	40 A	Fresh air blower control unit -J126-	30
SC15	Fuse 15 on fuse holder C -SC15-	10 A	Control unit for electronic steering column lock -J764-	30
SC16	Fuse 16 on fuse holder C -SC16-	7.5 A  8)	Two-way signal amplifier for mobile telephone/data services -J984- Storage compartment with interface for mobile telephone -R265- USB hub -R293- Chip card reader -D8- TV tuner -RX6- Special vehicle fuse	30
SC17	Fuse 17 on fuse holder C -SC17-	5 A 7.5A <sup>9)</sup>	Dash panel insert -KX2-	30

Slot	Current flow diagram designation	Nominal value	Function / component	Terminal
			Emergency call module control unit and communication unit -J949- <sup>9)</sup>	
SC18	Fuse 18 on fuse holder C -SC18-	7.5 A	Reversing camera -R189- Rear lid handle release button -E234- Control unit for overhead view camera -J928- Rear overhead view camera -R246-	30
SC19	Fuse 19 on fuse holder C -SC19-	7.5 A	Interface for entry and start system -J965-	30
SC20	Fuse 20 on fuse holder C -SC20-	7.5 A	Relay for reducing agent metering system -J963-	30
SC21	Fuse 21 on fuse holder C -SC21-	15 A	All-wheel drive control unit -J492-	30
SC22	Fuse 22 on fuse holder C -SC22-	15 A	Trailer detector control unit -J345-	30
SC23	Fuse 23 on fuse holder C -SC23-	30 A	Sliding sunroof adjustment control unit -J245-	30
SC24	Fuse 24 on fuse holder C -SC24-	40 A	Onboard supply control unit -J519- ◆ Front right headlight -MX2-	30
SC25	Fuse 25 on fuse holder C -SC25-	30 A	Driver door control unit -J386- <sup>1)</sup> Front passenger door control unit -J387- <sup>2)</sup> Rear left door control unit -J388- Rear left window regulator motor -V26-	30 30
SC26	Fuse 26 on fuse holder C -SC26-	30 A	Onboard supply control unit -J519- ◆ Seat heating	30
SC27	Fuse 27 on fuse holder C -SC27-	30 A	Onboard supply control unit -J519-	30
SC28	Fuse 28 on fuse holder C -SC28-	25 A	Trailer detector control unit -J345-	30
SC29	not assigned	-		-
SC30	Fuse 30 on fuse holder C -SC30-	10A	High-voltage battery 1 -AX2- <sup>9)</sup> Maintenance connector for high-voltage system -TW- <sup>9)</sup>	-
SC31	not assigned	-		-
SC32	Fuse 32 on fuse holder C -SC32-	7.5 A 10 A <sup>5)</sup>	Front camera for driver assist systems -R242- Adaptive cruise control unit -J428- Parking aid control unit -J446- Park assist steering control unit -J791- Blind Spot Monitor control unit -J1086- Blind Spot Monitor control unit 2 -J1087-	15
SC33	Fuse 33 on fuse holder C -SC33-	5 A	Airbag control unit -J234- Warning lamp for airbag deactivated on front passenger side -K145-	15

Slot	Current flow diagram designation	Nominal value	Function / component	Terminal
SC34	Fuse 34 on fuse holder C -SC34-	7.5 A	Electromechanical parking brake button -E538- Interior mirror -EX5- Relay for power sockets -J807- Pedestrian protection warning lamp -K288- Switch module 2 in centre console -EX30- Pressure sender for refrigerant circuit -G805- External air quality and air humidity sensor -G935-	15
SC35	Fuse 35 on fuse holder C -SC35-	10 A	Diagnostic connection -U31- Headlight range control and instrument illumination regulator -EX14- Control unit for cornering light and headlight range control -J745- Front left headlight -MX1- ◆ Left headlight range control motor -V48-  Front right headlight -MX2- ◆ Right headlight range control motor -V49-	15
SC36	Fuse 36 on fuse holder C -SC36-	5 A	Front right headlight -MX2- ◆ Output module 1 for right LED headlight -A27-	15
SC37	Fuse 37 on fuse holder C -SC37-	5 A	Front left headlight -MX1- ◆ Output module 1 for left LED headlight -A31-	15
SC38	Fuse 38 on fuse holder C -SC38-	25 A	Trailer detector control unit -J345-	30
SC39	Fuse 39 on fuse holder C -SC39-	30 A	Front passenger door control unit -J387- <sup>1)</sup> Driver door control unit -J386- <sup>2)</sup> Rear right door control unit -J389- Rear right window regulator motor -V27-	30 30
SC40 <sup>6), 7)</sup>	Fuse 40 on fuse holder C -SC40-	20 A	Cigarette lighter -U1- <sup>3)</sup> 12 V socket -U5- <sup>3)</sup> 12 V socket 2 -U18- 12 V socket 3 -U19-	15 <sup>6)</sup> / 30 <sup>7)</sup>
SC41	Fuse 41 on fuse holder C -SC41-	25 A	Control unit for front right belt tensioner -J855-	30
SC42	Fuse 42 on fuse holder C -SC42-	40 A	Onboard supply control unit -J519- ◆ Central locking	30
SC43	Fuse 43 on fuse holder C -SC43-	40 A	Digital sound package control unit -J525-	30
SC44	Fuse 44 on fuse holder C -SC44-	15 A	Trailer detector control unit -J345-	30

Slot	Current flow diagram designation	Nominal value	Function / component	Terminal
SC45	Fuse 45 on fuse holder C -SC45-	15 A	Driver seat lumbar support adjustment switch -E176- Driver seat adjustment operating unit -E470- Driver seat adjustment control unit -J810- Operating unit for front left seat adjustment -EX33- Massage control unit -J740- Front left seat cushion fan 1 -V514- Front left seat backrest fan 1 -V512-	30
SC46	Fuse 46 on fuse holder C -SC46-	30 A	DC/AC converter with socket, 12 V - 230 V -U13-	30
SC47	Fuse 47 on fuse holder C -SC47-	15 A 7.5 A	Rear window wiper motor -V12- Rear roller blind control unit -J262- <sup>3)</sup>	15
SC48	Fuse 48 on fuse holder C -SC48-	7.5A	Engine sound generator control unit -J943- <sup>9)</sup>	-
SC49	Fuse 49 on fuse holder C -SC49-	5 A	Clutch position sender -G476- Starter relay 1 -J906- Starter relay 2 -J907- High-voltage battery 1 -AX2- <sup>9)</sup>	15
SC50	Fuse 50 on fuse holder C -SC50-	40 A	Rear lid control unit -J605-	30
SC51	Fuse 51 on fuse holder C -SC51-	25 A	Operating and display unit for rear air conditioning system -E265-	30
SC52	Fuse 52 on fuse holder C -SC52-	15 A	Electronically controlled damping control unit -J250-	30
SC53	Fuse 53 on fuse holder C -SC53-	30 A	Heated rear window relay -J9-	15

<sup>1)</sup>Only left-hand drive models

<sup>2)</sup>Only right-hand drive models

<sup>3)</sup>Depending on equipment

<sup>4)</sup>Only models with heated steering wheel

<sup>5)</sup>Only models with blind spot monitor

<sup>6)</sup>Factory fitted with power supply from terminal 15

<sup>7)</sup>Power supply via terminal 30 possible

<sup>8)</sup>Fuse rating, see installation description for special equipment

<sup>9)</sup>Only models with hybrid drive system

<sup>10)</sup>Only for radio Composition Colour

 **Note**

The fuse SC40 is supplied via terminal 15 from the factory and can be supplied via terminal 30 by reconnecting. If a consumer is connected to the electric socket or to the cigarette lighter, ensure that the consumer is disconnected from the voltage supply when the engine is switched off to prevent the drive battery being discharged.

[Back to overview ⇒ page 1](#)

**1.13.7 Fuse assignment for fuse holder C -SC- , from November 2017**

Slot	Current flow diagram designation	Nominal value	Function / component	Terminal
SC1	Fuse 1 on fuse holder C -SC1-	30 A <sup>3)</sup> 20 A <sup>3)</sup>	Control unit for reducing agent heater -J891-	30
SC2	Fuse 2 on fuse holder C -SC2-	10 A	Steering column electronics control unit -J527- <sup>4)</sup>	30
SC3	not assigned	-		-
SC4	not assigned	-		-
SC5	Fuse 5 on fuse holder C -SC5-	7.5 A	Data bus diagnostic interface -J533-	30
SC6	Fuse 6 on fuse holder C -SC6-	7.5 A	Selector lever -E313-	30
SC7	Fuse 7 on fuse holder C -SC7-	10 A	Heater and air conditioning controls -EX21- Remote control receiver for auxiliary coolant heater -R149- Heated rear window relay -J9- Analogue clock -Y- Operating and display unit for rear air conditioning system -E265- Magnetic clutch relay -J44- <sup>3)</sup> Tyre Pressure Monitoring System control unit -J502- <sup>3)</sup>	30
SC8	Fuse 8 on fuse holder C -SC8-	7.5 A	Rotary light switch -EX1- Electromechanical parking brake button -E538- Rain and light sensor -G397- Diagnostic connection -U31- Anti-theft alarm sensor -G578- Front interior light -WX1- <sup>3)</sup> Light for left dashboard background lighting -L229- <sup>3)</sup> Light for right dashboard background lighting -L230- <sup>3)</sup>	30



Slot	Current flow diagram designation	Nominal value	Function / component	Terminal
			Light for front left door contour lighting -L251- <sup>3)</sup> Light for front right door contour lighting -L252- <sup>3)</sup> Light for rear left door contour lighting -L253- <sup>3)</sup> Light for rear right door contour lighting -L254- <sup>3)</sup> Control unit for cornering light and headlight range control -J745- <sup>3)</sup>	
SC9	Fuse 9 on fuse holder C -SC9-	7.5 A	Steering column electronics control unit -J527-	30
SC10	Fuse 10 on fuse holder C -SC10-	7.5 A	Display unit for front information display and operating unit control unit -J685- Control unit for Head-up Display -J898- <sup>3)</sup> TV tuner -RX6- <sup>3)</sup> CD player -R89- <sup>3)</sup>	30
SC11	Fuse 11 on fuse holder C -SC11-	40 A	Onboard supply control unit -J519- ◆ Front left headlight -MX1-	30
SC12	Fuse 12 on fuse holder C -SC12-	20 A <sup>3)</sup> 7.5 A <sup>10)</sup>	Control unit 1 for information electronics -J794-	30
SC13	Fuse 13 on fuse holder C -SC13-	25 A	Control unit for front left belt tensioner -J854-	30
SC14	Fuse 14 on fuse holder C -SC14-	40 A	Fresh air blower control unit -J126-	30
SC15	Fuse 15 on fuse holder C -SC15-	10 A	Control unit for electronic steering column lock -J764-	30
SC16	Fuse 16 on fuse holder C -SC16-	7.5 A  8)	Two-way signal amplifier for mobile telephone/data services -J984- Storage compartment with interface for mobile telephone -R265- USB hub -R293- Chip card reader -D8- TV tuner -RX6- Special vehicle fuse	30
SC17	Fuse 17 on fuse holder C -SC17-	7.5 A	Dash panel insert -KX2- Emergency call module control unit and communication unit -J949- <sup>9)</sup> Telematics control unit for real-time monitoring -J1230- <sup>3)</sup>	30
SC18	Fuse 18 on fuse holder C -SC18-	7.5 A	Reversing camera -R189- Rear lid handle release button -E234- Control unit for overhead view camera -J928- Rear overhead view camera -R246-	30
SC19	Fuse 19 on fuse holder C -SC19-	7.5 A	Interface for entry and start system -J965-	30

Slot	Current flow diagram designation	Nominal value	Function / component	Terminal
SC20	Fuse 20 on fuse holder C -SC20-	7.5 A <sup>3)</sup> 10 A <sup>3)</sup>	Relay for reducing agent metering system -J963-	30
SC21	Fuse 21 on fuse holder C -SC21-	15 A	All-wheel drive control unit -J492-	30
SC22	Fuse 22 on fuse holder C -SC22-	15 A	Trailer detector control unit -J345-	30
SC23	Fuse 23 on fuse holder C -SC23-	30 A	Sliding sunroof adjustment control unit -J245-	30
SC24	Fuse 24 on fuse holder C -SC24-	40 A	Onboard supply control unit -J519- ◆ Front right headlight -MX2-	30
SC25	Fuse 25 on fuse holder C -SC25-	30 A	Driver door control unit -J386- <sup>1)</sup> Front passenger door control unit -J387- <sup>2)</sup> Rear left door control unit -J388- Rear left window regulator motor -V26-	30 30
SC26	Fuse 26 on fuse holder C -SC26-	30 A	Onboard supply control unit -J519- ◆ Seat heating	30
SC27	Fuse 27 on fuse holder C -SC27-	30 A	Onboard supply control unit -J519-	30
SC28	Fuse 28 on fuse holder C -SC28-	25 A	Trailer detector control unit -J345-	30
SC29	not assigned	-		-
SC30	Fuse 30 on fuse holder C -SC30-	10A	High-voltage battery 1 -AX2- <sup>9)</sup> Maintenance connector for high-voltage system -TW- <sup>9)</sup>	-
SC31	not assigned	-		-
SC32	Fuse 32 on fuse holder C -SC32-	7.5 A 10 A <sup>5)</sup>	Front camera for driver assist systems -R242- Adaptive cruise control unit -J428- Parking aid control unit -J446- Park assist steering control unit -J791- Blind Spot Monitor control unit -J1086- Blind Spot Monitor control unit 2 -J1087-	15
SC33	Fuse 33 on fuse holder C -SC33-	7.5 A	Airbag control unit -J234- Warning lamp for airbag deactivated on front passenger side -K145-	15
SC34	Fuse 34 on fuse holder C -SC34-	7.5 A	Electromechanical parking brake button -E538- Interior mirror -EX5- Relay for power sockets -J807- Pedestrian protection warning lamp -K288- Switch module 2 in centre console -EX30-	15

Slot	Current flow diagram designation	Nominal value	Function / component	Terminal
			Pressure sender for refrigerant circuit -G805- External air quality and air humidity sensor -G935-	
SC35	Fuse 35 on fuse holder C -SC35-	7.5 A	Diagnostic connection -U31- Headlight range control and instrument illumination regulator -EX14- Control unit for cornering light and headlight range control -J745- Front left headlight -MX1- ◆ Left headlight range control motor -V48-  Front right headlight -MX2- ◆ Right headlight range control motor -V49-	15
SC36	Fuse 36 on fuse holder C -SC36-	7.5 A	Front right headlight -MX2- ◆ Output module 1 for right LED headlight -A27-	15
SC37	Fuse 37 on fuse holder C -SC37-	7.5 A	Front left headlight -MX1- ◆ Output module 1 for left LED headlight -A31-	15
SC38	Fuse 38 on fuse holder C -SC38-	25 A	Trailer detector control unit -J345-	30
SC39	Fuse 39 on fuse holder C -SC39-	30 A	Front passenger door control unit -J387- <sup>1)</sup> Driver door control unit -J386- <sup>2)</sup> Rear right door control unit -J389- Rear right window regulator motor -V27-	30  30
SC40 <sup>6), 7)</sup>	Fuse 40 on fuse holder C -SC40-	20 A	Cigarette lighter -U1- <sup>3)</sup> 12 V socket -U5- <sup>3)</sup> 12 V socket 2 -U18- 12 V socket 3 -U19-	15 <sup>6)</sup> / 30 <sup>7)</sup>
SC41	Fuse 41 on fuse holder C -SC41-	25 A	Control unit for front right belt tensioner -J855-	30
SC42	Fuse 42 on fuse holder C -SC42-	40 A	Onboard supply control unit -J519- ◆ Central locking	30
SC43	Fuse 43 on fuse holder C -SC43-	40 A	Digital sound package control unit -J525-	30
SC44	Fuse 44 on fuse holder C -SC44-	15 A	Trailer detector control unit -J345-	30
SC45	Fuse 45 on fuse holder C -SC45-	15 A	Driver seat lumbar support adjustment switch -E176- Driver seat adjustment operating unit -E470- Driver seat adjustment control unit -J810- Operating unit for front left seat adjustment -EX33- Massage control unit -J740-	30

Slot	Current flow diagram designation	Nominal value	Function / component	Terminal
			Front left seat cushion fan 1 -V514- Front left seat backrest fan 1 -V512-	
SC46	Fuse 46 on fuse holder C -SC46-	30 A	DC/AC converter with socket, 12 V - 230 V -U13-	30
SC47	Fuse 47 on fuse holder C -SC47-	15 A 7.5 A	Rear window wiper motor -V12- Rear roller blind control unit -J262- <sup>3)</sup>	15
SC48	Fuse 48 on fuse holder C -SC48-	7.5A	Engine sound generator control unit -J943- <sup>9)</sup>	-
SC49	Fuse 49 on fuse holder C -SC49-	7.5 A	Clutch position sender -G476- Starter relay 1 -J906- Starter relay 2 -J907- High-voltage battery 1 -AX2- <sup>9)</sup>	15
SC50	Fuse 50 on fuse holder C -SC50-	40 A	Rear lid control unit -J605-	30
SC51	Fuse 51 on fuse holder C -SC51-	25 A	Operating and display unit for rear air conditioning system -E265-	30
SC52	Fuse 52 on fuse holder C -SC52-	15 A	Electronically controlled damping control unit -J250-	30
SC53	Fuse 53 on fuse holder C -SC53-	30 A	Heated rear window relay -J9-	15

<sup>1)</sup>Only left-hand drive models

<sup>2)</sup>Only right-hand drive models

<sup>3)</sup>Depending on equipment

<sup>4)</sup>Only models with heated steering wheel

<sup>5)</sup>Only models with blind spot monitor

<sup>6)</sup>Factory fitted with power supply from terminal 15

<sup>7)</sup>Power supply via terminal 30 possible

<sup>8)</sup>Fuse rating, see installation description for special equipment

<sup>9)</sup>Only models with hybrid drive system

<sup>10)</sup>Only for radio Composition Colour

 Note

The fuse SC40 is supplied via terminal 15 from the factory and can be supplied via terminal 30 by reconnecting. If a consumer is connected to the electric socket or to the cigarette lighter, ensure that the consumer is disconnected from the voltage supply when the engine is switched off to prevent the drive battery being discharged.

[Back to overview ⇒ page 1](#)

1.13.8 Fuse assignment for fuse holder C -SC- , from July 2018

Slot	Current flow diagram designation	Nominal value	Function / component	Terminal
SC1	Fuse 1 on fuse holder C -SC1-	30 A	Control unit for reducing agent heater -J891-	30
SC2	Fuse 2 on fuse holder C -SC2-	10 A	Steering column electronics control unit -J527- 4)	30
SC3	not assigned	-		-
SC4	Fuse 4 on fuse holder C -SC4-	7.5 A	Alarm horn -H12-	30
SC5	Fuse 5 on fuse holder C -SC5-	7.5 A	Data bus diagnostic interface -J533-	30
SC6	Fuse 6 on fuse holder C -SC6-	7.5 A	Selector lever -E313-	30
SC7	Fuse 7 on fuse holder C -SC7-	10 A	Heater and air conditioning controls -EX21- Remote control receiver for auxiliary coolant heater -R149- Heated rear window relay -J9- Analogue clock -Y- Operating and display unit for rear air conditioning system -E265- Magnetic clutch relay -J44- 3) Tyre Pressure Monitoring System control unit -J502- 3)	30
SC8	Fuse 8 on fuse holder C -SC8-	7.5 A	Rotary light switch -EX1- Electromechanical parking brake button -E538- Rain and light sensor -G397- Diagnostic connection -U31- Anti-theft alarm sensor -G578- Front interior light -WX1- 3) Light for left dashboard background lighting -L229- 3) Light for right dashboard background lighting -L230- 3) Light for front left door contour lighting -L251- 3)	30

Slot	Current flow diagram designation	Nominal value	Function / component	Terminal
			Light for front right door contour lighting -L252- <sup>3)</sup> Light for rear left door contour lighting -L253- <sup>3)</sup> Light for rear right door contour lighting -L254- <sup>3)</sup> Control unit for cornering light and headlight range control -J745- <sup>3)</sup>	
SC9	Fuse 9 on fuse holder C -SC9-	7.5 A	Steering column electronics control unit -J527-	30
SC10	Fuse 10 on fuse holder C -SC10-	10 A	Display unit for front information display and operating unit control unit -J685- Control unit for Head-up Display -J898- <sup>3)</sup> TV tuner -RX6- <sup>3)</sup> CD player -R89- <sup>3)</sup>	30
SC11	Fuse 11 on fuse holder C -SC11-	40 A	Onboard supply control unit -J519- ◆ Front left headlight -MX1-	30
SC12	Fuse 12 on fuse holder C -SC12-	20 A <sup>3)</sup> 7.5 A <sup>10)</sup>	Control unit 1 for information electronics -J794-	30
SC13	Fuse 13 on fuse holder C -SC13-	25 A	Control unit for front left belt tensioner -J854-	30
SC14	Fuse 14 on fuse holder C -SC14-	40 A	Fresh air blower control unit -J126-	30
SC15	Fuse 15 on fuse holder C -SC15-	10 A	Control unit for electronic steering column lock -J764-	30
SC16	Fuse 16 on fuse holder C -SC16-	7.5 A  8)	Two-way signal amplifier for mobile telephone/data services -J984- Storage compartment with interface for mobile telephone -R265- USB hub -R293- Chip card reader -D8- TV tuner -RX6- Special vehicle fuse	30
SC17	Fuse 17 on fuse holder C -SC17-	7.5A	Dash panel insert -KX2- Emergency call module control unit and communication unit -J949- <sup>9)</sup> Telematics control unit for real-time monitoring -J1230- <sup>3)</sup>	30
SC18	Fuse 18 on fuse holder C -SC18-	7.5 A	Reversing camera -R189- Rear lid handle release button -E234- Control unit for overhead view camera -J928- Rear overhead view camera -R246-	30
SC19	Fuse 19 on fuse holder C -SC19-	7.5 A	Interface for entry and start system -J965-	30
SC20	Fuse 20 on fuse holder C -SC20-	7.5 A <sup>3)</sup> 10 A <sup>3)</sup>	Relay for reducing agent metering system -J963-	30

Slot	Current flow diagram designation	Nominal value	Function / component	Terminal
SC21	Fuse 21 on fuse holder C -SC21-	15 A	All-wheel drive control unit -J492-	30
SC22	Fuse 22 on fuse holder C -SC22-	15 A	Trailer detector control unit -J345-	30
SC23	Fuse 23 on fuse holder C -SC23-	20 A	Sliding sunroof adjustment control unit -J245-	30
SC24	Fuse 24 on fuse holder C -SC24-	40 A	Onboard supply control unit -J519- ◆ Front right headlight -MX2-	30
SC25	Fuse 25 on fuse holder C -SC25-	30 A	Driver door control unit -J386- <sup>1)</sup> Front passenger door control unit -J387- <sup>2)</sup> Rear left door control unit -J388- Rear left window regulator motor -V26-	30 30
SC26	Fuse 26 on fuse holder C -SC26-	30 A	Onboard supply control unit -J519- ◆ Seat heating	30
SC27	Fuse 27 on fuse holder C -SC27-	30 A	Onboard supply control unit -J519-	30
SC28	Fuse 28 on fuse holder C -SC28-	25 A	Trailer detector control unit -J345-	30
SC29	not assigned	-		-
SC30	Fuse 30 on fuse holder C -SC30-	10A	High-voltage battery 1 -AX2- <sup>9)</sup> Maintenance connector for high-voltage system -TW- <sup>9)</sup>	-
SC31	Fuse 31 on fuse holder C -SC31-	30 A	Rear lid control unit -J605-	30
SC32	Fuse 32 on fuse holder C -SC32-	7.5 A 10 A <sup>5)</sup>	Front camera for driver assist systems -R242- Adaptive cruise control unit -J428- Parking aid control unit -J446- Park assist steering control unit -J791- Blind Spot Monitor control unit -J1086- Blind Spot Monitor control unit 2 -J1087-	15
SC33	Fuse 33 on fuse holder C -SC33-	7.5 A	Airbag control unit -J234- Warning lamp for airbag deactivated on front passenger side -K145-	15
SC34	Fuse 34 on fuse holder C -SC34-	7.5 A	Electromechanical parking brake button -E538- Interior mirror -EX5- Relay for power sockets -J807- Pedestrian protection warning lamp -K288- Switch module 2 in centre console -EX30- Pressure sender for refrigerant circuit -G805- External air quality and air humidity sensor -G935-	15

Slot	Current flow diagram designation	Nominal value	Function / component	Terminal
SC35	Fuse 35 on fuse holder C -SC35-	7.5 A	Diagnostic connection -U31- Headlight range control and instrument illumination regulator -EX14- Control unit for cornering light and headlight range control -J745- Front left headlight -MX1- ◆ Left headlight range control motor -V48-  Front right headlight -MX2- ◆ Right headlight range control motor -V49-	15
SC36	Fuse 36 on fuse holder C -SC36-	7.5 A	Front right headlight -MX2- ◆ Output module 1 for right LED headlight -A27-	15
SC37	Fuse 37 on fuse holder C -SC37-	7.5 A	Front left headlight -MX1- ◆ Output module 1 for left LED headlight -A31-	15
SC38	Fuse 38 on fuse holder C -SC38-	25 A	Trailer detector control unit -J345-	30
SC39	Fuse 39 on fuse holder C -SC39-	30 A	Front passenger door control unit -J387- <sup>1)</sup> Driver door control unit -J386- <sup>2)</sup> Rear right door control unit -J389- Rear right window regulator motor -V27-	30  30
SC40 <sup>6), 7)</sup>	Fuse 40 on fuse holder C -SC40-	20 A	Cigarette lighter -U1- <sup>3)</sup> 12 V socket -U5- <sup>3)</sup> 12 V socket 2 -U18- 12 V socket 3 -U19-	15 <sup>6)</sup> / 30 <sup>7)</sup>
SC41	Fuse 41 on fuse holder C -SC41-	25 A	Control unit for front right belt tensioner -J855-	30
SC42	Fuse 42 on fuse holder C -SC42-	40 A	Onboard supply control unit -J519- ◆ Central locking	30
SC43	Fuse 43 on fuse holder C -SC43-	40 A	Digital sound package control unit -J525-	30
SC44	Fuse 44 on fuse holder C -SC44-	15 A	Trailer detector control unit -J345-	30
SC45	Fuse 45 on fuse holder C -SC45-	15 A	Driver seat lumbar support adjustment switch -E176- Driver seat adjustment operating unit -E470- Driver seat adjustment control unit -J810- Operating unit for front left seat adjustment -EX33- Massage control unit -J740- Front left seat cushion fan 1 -V514- Front left seat backrest fan 1 -V512-	30



Slot	Current flow diagram designation	Nominal value	Function / component	Terminal
SC46	Fuse 46 on fuse holder C -SC46-	30 A	DC/AC converter with socket, 12 V - 230 V -U13-	30
SC47	Fuse 47 on fuse holder C -SC47-	15 A 7.5 A	Rear window wiper motor -V12- Rear roller blind control unit -J262- <sup>3)</sup>	15
SC48	Fuse 48 on fuse holder C -SC48-	7.5A	Engine sound generator control unit -J943- <sup>9)</sup>	-
SC49	Fuse 49 on fuse holder C -SC49-	7.5 A	Clutch position sender -G476- Starter relay 1 -J906- Starter relay 2 -J907- High-voltage battery 1 -AX2- <sup>9)</sup>	15
SC50	not assigned	-		-
SC51	Fuse 51 on fuse holder C -SC51-	25 A	Operating and display unit for rear air conditioning system -E265-	30
SC52	Fuse 52 on fuse holder C -SC52-	15 A	Electronically controlled damping control unit -J250-	30
SC53	Fuse 53 on fuse holder C -SC53-	30 A	Heated rear window relay -J9-	15

<sup>1)</sup>Only left-hand drive models

<sup>2)</sup>Only right-hand drive models

<sup>3)</sup>Depending on equipment

<sup>4)</sup>Only models with heated steering wheel

<sup>5)</sup>Only models with blind spot monitor

<sup>6)</sup>Factory fitted with power supply from terminal 15

<sup>7)</sup>Power supply via terminal 30 possible

<sup>8)</sup>Fuse rating, see installation description for special equipment

<sup>9)</sup>Only models with hybrid drive system

<sup>10)</sup>Only for radio Composition Colour


**Note**

*The fuse SC40 is supplied via terminal 15 from the factory and can be supplied via terminal 30 by reconnecting. If a consumer is connected to the electric socket or to the cigarette lighter, ensure that the consumer is disconnected from the voltage supply when the engine is switched off to prevent the drive battery being discharged.*

Back to overview ⇒ [page 1](#)

1.14 Fitting location of front passenger seat adjustment thermal fuse 1 -S46-

1.14.1 Fitting location of front passenger seat adjustment thermal fuse 1 -S46- , left-hand drive models

1 - Fuse holder for front passenger seat adjustment thermal fuse 1 -S46-

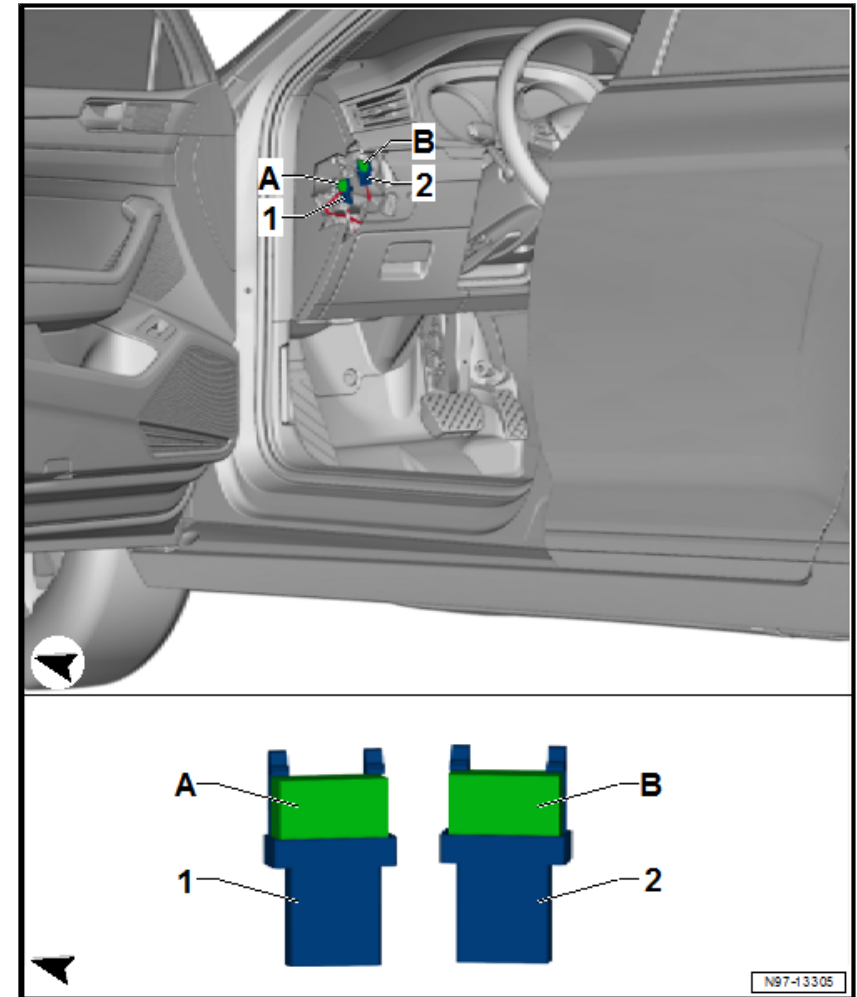
- behind fuse holder C -SC-

2 - not assigned

- behind fuse holder C -SC-

A - Front passenger seat adjustment thermal fuse 1 -S46-

B - not assigned



[Back to overview ⇒ page 1](#)

### 1.14.2 Fitting location of front passenger seat adjustment thermal fuse 1 -S46- , right-hand drive models

1 - Fuse holder for front passenger seat adjustment thermal fuse 1 -S46-

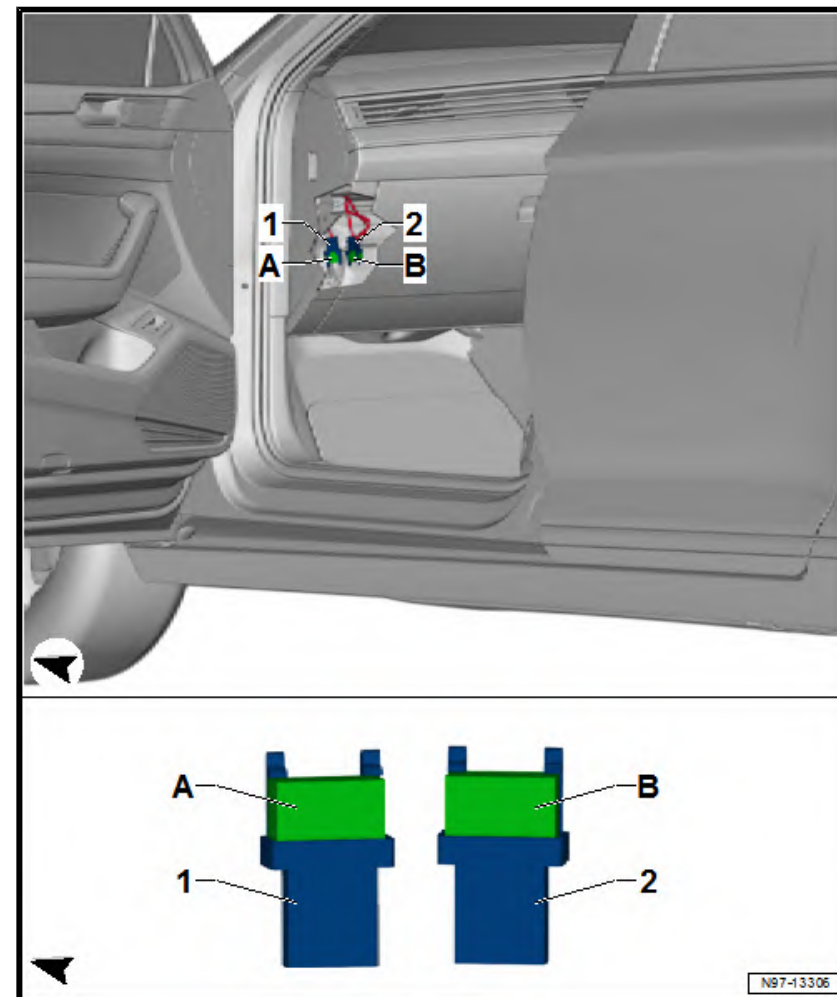
- behind fuse holder C -SC-

2 - not assigned

- behind fuse holder C -SC-

A - Front passenger seat adjustment thermal fuse 1 -S46-

B - not assigned



[Back to overview ⇒ page 1](#)

**1.15 Fuse assignment of front passenger seat adjustment thermal fuse 1 -S46-**

**1.15.1 Fuse assignment for front passenger seat adjustment thermal fuse 1 -S46- , from September 2014**

Slot	Current flow diagram designation	Nominal value	Function/component	Terminal
A	Front passenger seat adjustment thermal fuse 1 -S46-	15 A	Operating unit for front right seat adjustment -EX34- Front right lumbar support adjustment switch -E753- Front right seat cushion fan 1 -V518- Front right seat backrest fan 1 -V516-	30
B	not assigned	-		-

[Back to overview ⇒ page 1](#)

**1.16 Fitting location of fuse holder H -SH-**

**1.16.1 Fitting location of fuse holder H -SH-**

 **Note**

*The fitting locations are identical on saloon and estate models.*

**1 - Fuse holder H -SH-**

**Fuse colours for J-Case fuse:**

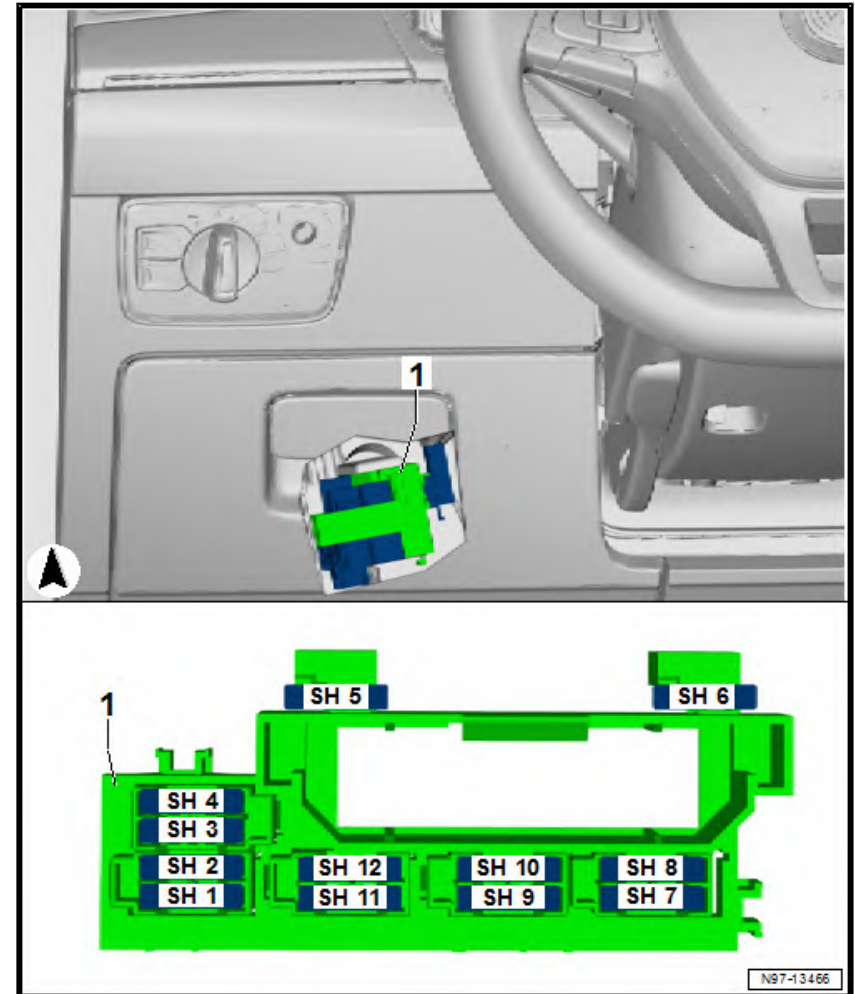
- ◆ 40 A - green
- ◆ 30 A - pink

**Fuse colours for ATO flat fuse:**

- ◆ 40 A - orange
- ◆ 30 A - light green
- ◆ 25 A - natural (white)
- ◆ 20 A - yellow
- ◆ 15 A - light blue
- ◆ 10 A - red
- ◆ 7.5 A - brown
- ◆ 5 A - light brown

**Fuse colours, for mini fuses:**

- ◆ 15 A - light blue
- ◆ 10 A - red
- ◆ 7.5 A - brown
- ◆ 5 A - light brown
- ◆ 1A - black



[Back to overview ⇒ page 1](#)

## 1.17 Fuse assignment for fuse holder H -SH-

### 1.17.1 Fuse assignment for fuse holder H -SH- , from April 2015

Slot	Current flow diagram designation	Nominal value	Function/component	Terminal
SH1	Fuse 1 in fuse holder H -SH1-	2)	Special vehicle fuse <sup>1)</sup>	30
SH2	Fuse 2 in fuse holder H -SH2-	2)	Special vehicle fuse <sup>1)</sup>	30
SH3	Fuse 3 in fuse holder H -SH3-	2)	Special vehicle fuse <sup>1)</sup>	30
SH4	Fuse 4 in fuse holder H -SH4-	2)	Special vehicle fuse <sup>1)</sup>	30
SH5	Fuse 5 in fuse holder H -SH5-	7.5 A	Video socket -U22- Video socket 2 -U43-	30
SH6	not assigned			
SH7	not assigned			
SH8	not assigned			
SH9	not assigned			
SH10	not assigned			
SH11	not assigned			
SH12	not assigned			

<sup>1)</sup> According to equipment

<sup>2)</sup> Fuse rating, see installation description for special installations

[Back to overview ⇒ page 1](#)

### 1.17.2 Fuse assignment for fuse holder H -SH- , from November 2016

Slot	Current flow diagram designation	Nominal value	Function/component	Terminal
SH1	Fuse 1 in fuse holder H -SH1-	2)	Special vehicle fuse <sup>1)</sup>	30

Slot	Current flow diagram designation	Nominal value	Function/component	Terminal
SH2	Fuse 2 in fuse holder H -SH2-	2)	Special vehicle fuse <sup>1)</sup>	30
SH3	Fuse 3 in fuse holder H -SH3-	2)	Special vehicle fuse <sup>1)</sup>	30
SH4	Fuse 4 in fuse holder H -SH4-	2)	Special vehicle fuse <sup>1)</sup>	30
SH5	Fuse 5 in fuse holder H -SH5-	7.5 A	Video socket -U22- Video socket 2 -U43-	30
SH6	not assigned			
SH7	Fuse 7 in fuse holder H -SH7-	2)	Special vehicle fuse <sup>1)</sup>	30
SH8	Fuse 8 in fuse holder H -SH8-	2)	Special vehicle fuse <sup>1)</sup>	30
SH9	not assigned			
SH10	not assigned			
SH11	not assigned			
SH12	not assigned			

<sup>1)</sup> According to equipment

<sup>2)</sup> Fuse rating, see installation description for special installations

[Back to overview](#) ⇒ [page 1](#)

## 1.18 Fitting location of fuse holder B -SB-

### 1.18.1 Fitting location of fuse holder B -SB-



Note

*The fitting locations are identical on LHD and RHD models.*

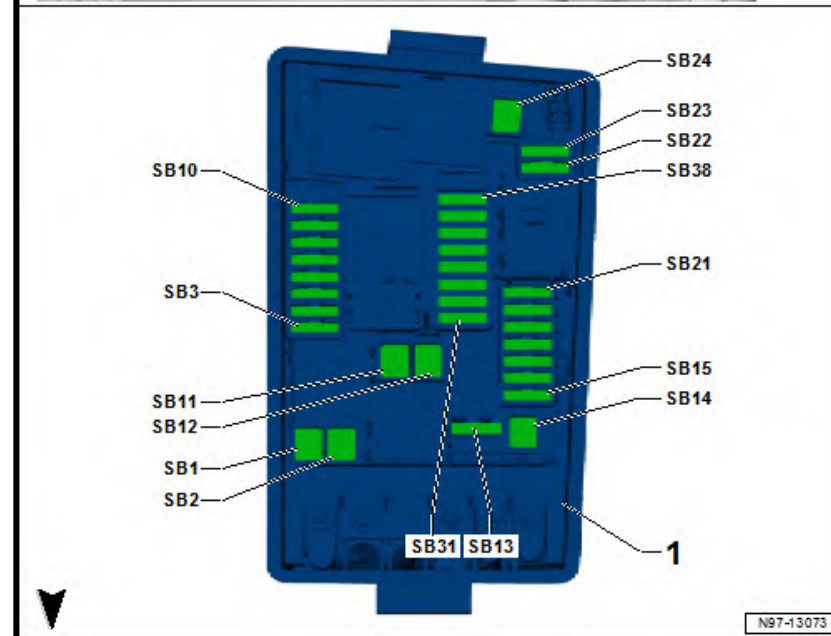
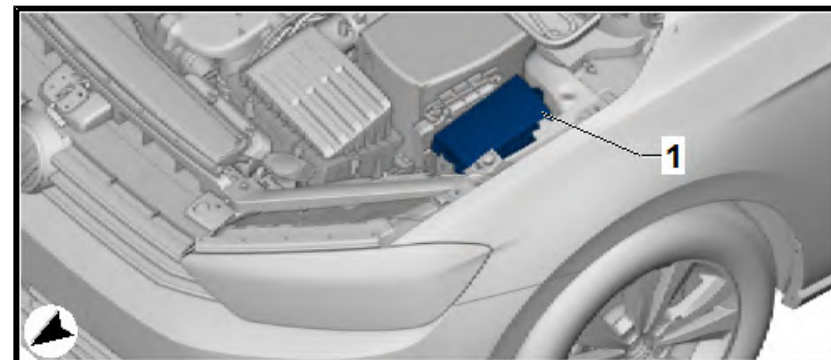
1 - Fuse holder B -SB-

Fuse colours for J-Case fuse:

- ◆ 50 A - red
- ◆ 40 A - green
- ◆ 30 A - pink

Fuse colours for ATO flat fuse:

- ◆ 40 A - orange
- ◆ 30 A - light green
- ◆ 25 A - natural (white)
- ◆ 20 A - yellow
- ◆ 15 A - light blue
- ◆ 10 A - red
- ◆ 7.5 A - brown
- ◆ 5 A - light brown
- ◆ 1A - black





[Back to overview ⇒ page 1](#)

1.19 Fuse assignment for fuse holder B -SB-

1.19.1 Fuse assignment for fuse holder B -SB- , from September 2014

Slot	Current flow diagram designation	Nominal value	Function / component	Terminal
SB1	Fuse 1 on fuse holder B -SB1-	40 A	ABS control unit -J104-	30
SB2	Fuse 2 on fuse holder B -SB2-	40 A	ABS control unit -J104- ◆ ABS hydraulic pump -V64-	30
SB3	Fuse 3 on fuse holder B -SB3-	15 A <sup>1)</sup> 30 A <sup>3)</sup>	Engine/motor control unit -J623-	87
SB4	Fuse 4 on fuse holder B -SB4-	10 A <sup>2)</sup> 5 A <sup>3)</sup>	Radiator fan -VX57- Oil level and oil temperature sender -G266- Relay for reducing agent metering system -J963- 4) High heat output relay -J360- 3) Low heat output relay -J359- 3) Charge pressure positioner -V465- 1) Activated charcoal filter solenoid valve 1 -N80- 1) Exhaust camshaft control valve 1 -N318- 1) Camshaft control valve 1 -N205- 1) Valve for oil pressure control -N428- Inlet cam actuator for cylinder 2 -N583- 2) Exhaust cam actuator for cylinder 2 -N587- 2) Inlet cam actuator for cylinder 3 -N591- 2) Exhaust cam actuator for cylinder 3 -N595- 2) Fuel cooling valve -N289- 3) Exhaust gas recirculation cooler changeover valve -N345- 3) Charge pressure control solenoid valve -N75- 3)	87
SB5	Fuse 5 on fuse holder B -SB5-	10 A	Fuel pressure regulating valve -N276- 3) Fuel metering valve -N290- 3) Camshaft control valve 1 -N205- 3)	87

Slot	Current flow diagram designation	Nominal value	Function / component	Terminal
SB6	Fuse 6 on fuse holder B -SB6-	5 A	Brake light switch -F-	87
SB7	Fuse 7 on fuse holder B -SB7-	10 A <sup>1),3)</sup> 15 A <sup>4)</sup>	Fuel metering valve -N290- <sup>1)</sup>  Circulation pump -V55- <sup>1)</sup> Radiator blind control motor -V544- <sup>3)</sup> Coolant valve for cylinder head -N489- <sup>3)</sup> Valve for oil pressure control -N428- <sup>3)</sup> Exhaust gas recirculation cooler changeover valve -N345- <sup>3)</sup> Charge pressure positioner -V465- <sup>4)</sup> Charge air cooling pump -V188- <sup>4)</sup> Auxiliary pump for heating -V488- <sup>4)</sup>	87
SB8	Fuse 8 on fuse holder B -SB8-	10 A <sup>1)</sup> 15 A <sup>3)</sup>	Lambda probe 1 before catalytic converter -GX10- ◆ Lambda probe heater -Z19-  Lambda probe 1 after catalytic converter -GX7- ◆ Lambda probe 1 heater after catalytic converter -Z29-  NOx sender -G295- <sup>4)</sup>	87
SB9	Fuse 9 on fuse holder B -SB9-	20 A <sup>1)</sup> 5 A <sup>3)</sup>	Ignition coil 1 with output stage -N70- <sup>1)</sup>  Ignition coil 2 with output stage -N127- <sup>1)</sup> Ignition coil 3 with output stage -N291- <sup>1)</sup> Ignition coil 4 with output stage -N292- <sup>1)</sup> Heater element for crankcase breather -N79- Automatic glow period control unit -J179- Air mass meter -G70-	87
SB10	Fuse 10 on fuse holder B -SB10-	20 A <sup>7)</sup> 10 A <sup>7)</sup>	Fuel pump control unit -J538-	87
SB11	Fuse 11 on fuse holder B -SB11-	40 A	Auxiliary air heater element -Z35-	87
SB12	Fuse 12 on fuse holder B -SB12-	40 A	Auxiliary air heater element -Z35-	87
SB13	Fuse 13 on fuse holder B -SB13-	30 A	Mechatronic unit for dual clutch gearbox -J743- <sup>7)</sup> ◆ Dual clutch gearbox 0CW	30

Slot	Current flow diagram designation	Nominal value	Function / component	Terminal
		15 A	Mechatronic unit for dual clutch gearbox -J743- <sup>7)</sup> ◆ Dual clutch gearbox 0D9	
SB14	Fuse 14 on fuse holder B -SB14-	40 A <sup>7)</sup> 30 A <sup>7)</sup>	Heated windscreen relay -J47-	30
SB15	Fuse 15 on fuse holder B -SB15-	15 A	Horn relay -J413-	30
SB16	not assigned	-		-
SB17	Fuse 17 on fuse holder B -SB17-	7.5 A	Main relay -J271- <sup>1)</sup> Terminal 30 voltage supply relay -J317- <sup>3)</sup> Engine/motor control unit -J623- ABS control unit -J104- Heated windscreen relay -J47-	30
SB18	Fuse 18 on fuse holder B -SB18-	5 A	Battery monitor control unit -J367- <sup>5)</sup> Data bus diagnostic interface -J533- <sup>7)</sup>	30
SB19	Fuse 19 on fuse holder B -SB19-	30 A	Wiper motor control unit -J400- <sup>5)</sup>	30
SB20	Fuse 20 on fuse holder B -SB20-	10 A	Alarm horn -H12-	30
SB21	Fuse 21 on fuse holder B -SB21-	30 A	Heated windscreen relay 2 -J611- <sup>7)</sup>	30
SB22	Fuse 22 on fuse holder B -SB22-	5 A	Engine/motor control unit -J623-	50
SB23	Fuse 23 on fuse holder B -SB23-	30 A	Starter -B-	50
SB24	Fuse 24 on fuse holder B -SB24-	40 A	Auxiliary air heater element -Z35-	87
SB25	not assigned	-		-
SB26	not assigned	-		-
SB27	not assigned	-		-
SB28	not assigned	-		-
SB29	not assigned	-		-
SB30	not assigned	-		-
SB31	not assigned	-		-
SB32	not assigned	-		-
SB33	Fuse 33 on fuse holder B -SB33-	15 A	Mechatronic unit for dual clutch gearbox -J743- <sup>7)</sup> ◆ Dual clutch gearbox 0DL	30
SB34	not assigned	-		-
SB35	Fuse 35 on fuse holder B -SB35-	30 A	Wiper motor control unit -J400- <sup>6)</sup>	30

Slot	Current flow diagram designation	Nominal value	Function / component	Terminal
SB36	not assigned	-		-
SB37	Fuse 37 on fuse holder B -SB37-	20 A	Auxiliary heater control unit -J364-	30
SB38	not assigned	-		-

<sup>1)</sup>Only models with petrol engine

<sup>2)</sup>Only models with petrol engine and active cylinder management (ACT)

<sup>3)</sup>Only models with diesel engine

<sup>4)</sup>Only models with diesel engine and reducing agent metering system (SCR)

<sup>5)</sup>Only models with battery at front

<sup>6)</sup>Only models with battery at rear

<sup>7)</sup>Depending on equipment

[Back to overview](#) ⇒ [page 1](#)

### 1.19.2 Fuse assignment for fuse holder B -SB- , from February 2015

Slot	Current flow diagram designation	Nominal value	Function / component	Terminal
SB1	Fuse 1 on fuse holder B -SB1-	40 A	ABS control unit -J104-	30
SB2	Fuse 2 on fuse holder B -SB2-	40 A	ABS control unit -J104- ◆ ABS hydraulic pump -V64-	30
SB3	Fuse 3 on fuse holder B -SB3-	15 A <sup>1), 10)</sup> 30 A <sup>3)</sup>	Engine/motor control unit -J623-	87
SB4	Fuse 4 on fuse holder B -SB4-	10 A <sup>2), 8), 10)</sup> 5 A <sup>3)</sup>	Radiator fan -VX57-  Oil level and oil temperature sender -G266- Relay for reducing agent metering system -J963- <sup>4)</sup> High heat output relay -J360- <sup>3)</sup> Low heat output relay -J359- <sup>3)</sup> Charge pressure positioner -V465- <sup>1)</sup> Activated charcoal filter solenoid valve 1 -N80- <sup>1)</sup> Exhaust camshaft control valve 1 -N318- <sup>1)</sup>	87

Slot	Current flow diagram designation	Nominal value	Function / component	Terminal
			Camshaft control valve 1 -N205- <sup>1)</sup> Valve for oil pressure control -N428- Inlet cam actuator for cylinder 2 -N583- <sup>2)</sup> Exhaust cam actuator for cylinder 2 -N587- <sup>2)</sup> Inlet cam actuator for cylinder 3 -N591- <sup>2)</sup> Exhaust cam actuator for cylinder 3 -N595- <sup>2)</sup> Fuel cooling valve -N289- <sup>3)</sup> Exhaust gas recirculation cooler changeover valve -N345- <sup>3)</sup> Intake manifold flap valve -N316- <sup>8)</sup> Charge pressure control solenoid valve -N75- <sup>3)</sup> Turbocharger air recirculation valve -N249- <sup>8)</sup> Power steering control unit -J500- <sup>8)</sup>	
SB5	Fuse 5 on fuse holder B -SB5-	10 A	Fuel pressure regulating valve -N276- <sup>3)</sup> Fuel metering valve -N290- <sup>3)</sup> Camshaft control valve 1 -N205- <sup>3)</sup> Exhaust cam actuator A for cylinder 1 -N580- <sup>8)</sup> Exhaust cam actuator B for cylinder 1 -N581- <sup>8)</sup> Exhaust cam actuator A for cylinder 2 -N588- <sup>8)</sup> Exhaust cam actuator B for cylinder 2 -N589- <sup>8)</sup> Exhaust cam actuator A for cylinder 3 -N596- <sup>8)</sup> Exhaust cam actuator B for cylinder 3 -N597- <sup>8)</sup> Exhaust cam actuator A for cylinder 4 -N604- <sup>8)</sup> Exhaust cam actuator B for cylinder 4 -N605- <sup>8)</sup> Injector, cylinder 1 -N30- <sup>8)</sup> Injector, cylinder 2 -N31- <sup>8)</sup> Injector, cylinder 3 -N32- <sup>8)</sup> Injector, cylinder 4 -N33- <sup>8)</sup> Engine component current supply relay -J757- <sup>8)</sup> Coolant valve for gearbox -N488- <sup>10)</sup> Coolant pump for high-voltage battery -V590- <sup>10)</sup>	87

Slot	Current flow diagram designation	Nominal value	Function / component	Terminal
			Coolant pump for high-temperature circuit -V467- <sup>10)</sup>	
SB6	Fuse 6 on fuse holder B -SB6-	5 A	Brake light switch -F-	87
SB7	Fuse 7 on fuse holder B -SB7-	10 A <sup>1),3)</sup> 15 A <sup>4), 10)</sup> 7.5 A <sup>8)</sup>	Fuel metering valve -N290- <sup>1)</sup>  Circulation pump -V55- <sup>1)</sup> Radiator blind control motor -V544- <sup>3)</sup> Coolant valve for cylinder head -N489- <sup>3)</sup> Valve for oil pressure control -N428- <sup>3)</sup> Exhaust gas recirculation cooler changeover valve -N345- <sup>3)</sup> Charge pressure positioner -V465- <sup>4)</sup> Coolant pump for high-temperature circuit -V467- <sup>4)</sup> Charge air cooling pump -V188- <sup>3)</sup> Auxiliary pump for heating -V488- <sup>7)</sup> Coolant valve for gearbox -N488- <sup>7), 8)</sup> Coolant shut-off valve -N82- <sup>7), 8)</sup> Gearbox oil cooling pump -V478- <sup>7), 8)</sup> Fuel pressure regulating valve -N276- <sup>10)</sup> Coolant changeover valve 2 -N633- <sup>10)</sup> Coolant changeover valve 1 -N632- <sup>10)</sup> Coolant pump for low-temperature circuit -V468- <sup>10)</sup>	87
SB8	Fuse 8 on fuse holder B -SB8-	10 A <sup>1)</sup> 15 A <sup>3), 8), 10)</sup>	Lambda probe 1 before catalytic converter -GX10- ◆ Lambda probe heater -Z19-  Lambda probe 1 after catalytic converter -GX7- ◆ Lambda probe 1 heater after catalytic converter -Z29-  NOx sender -G295- <sup>4)</sup>	87
SB9	Fuse 9 on fuse holder B -SB9-	20 A <sup>1), 10)</sup> 5 A <sup>3)</sup> 10 A <sup>8)</sup>	Ignition coil 1 with output stage -N70- <sup>1), 10)</sup>  Ignition coil 2 with output stage -N127- <sup>1), 10)</sup> Ignition coil 3 with output stage -N291- <sup>1), 10)</sup>	87

Slot	Current flow diagram designation	Nominal value	Function / component	Terminal
			Ignition coil 4 with output stage -N292- <sup>1), 10)</sup> Heater element for crankcase breather -N79- Automatic glow period control unit -J179- <sup>3)</sup> Air mass meter -G70- Charge air cooling pump -V188- <sup>8)</sup> Activated charcoal filter solenoid valve 1 -N80- <sup>8)</sup> Exhaust camshaft control valve 1 -N318- <sup>8)</sup> Camshaft control valve 1 -N205- <sup>8)</sup>	
SB10	Fuse 10 on fuse holder B -SB10-	20 A <sup>7)</sup> 15 A <sup>7), 10)</sup>	Fuel pump control unit -J538-	87
SB11	Fuse 11 on fuse holder B -SB11-	40 A	Auxiliary air heater element -Z35-	87
SB12	Fuse 12 on fuse holder B -SB12-	40 A	Auxiliary air heater element -Z35-	87
SB13	Fuse 13 on fuse holder B -SB13-	30 A  15 A	Mechatronic unit for dual clutch gearbox -J743- <sup>7)</sup> ◆ Dual clutch gearbox 0CW  Mechatronic unit for dual clutch gearbox -J743- <sup>7)</sup> ◆ Dual clutch gearbox 0D9	30
SB14	Fuse 14 on fuse holder B -SB14-	40 A <sup>7)</sup> 30 A <sup>7)</sup>	Heated windscreen relay -J47-	30
SB15	Fuse 15 on fuse holder B -SB15-	15 A	Horn relay -J413-	30
SB16	Fuse 16 on fuse holder B -SB16-	20 A <sup>8)</sup> 10A <sup>10)</sup>	Engine component current supply relay -J757- <sup>8)</sup>  Power and control electronics for electric drive -JX1- <sup>10)</sup> Charging unit 1 for high-voltage battery -AX4- <sup>10)</sup>	30
SB17	Fuse 17 on fuse holder B -SB17-	7.5 A	Main relay -J271- <sup>1)</sup> Terminal 30 voltage supply relay -J317- <sup>3)</sup> Engine/motor control unit -J623- ABS control unit -J104- Heated windscreen relay -J47-	30
SB18	Fuse 18 on fuse holder B -SB18-	5 A	Battery monitor control unit -J367- <sup>5)</sup> Data bus diagnostic interface -J533- <sup>7)</sup>	30
SB19	Fuse 19 on fuse holder B -SB19-	30 A	Wiper motor control unit -J400- <sup>5)</sup>	30

Slot	Current flow diagram designation	Nominal value	Function / component	Terminal
SB20	Fuse 20 on fuse holder B -SB20-	10 A	Alarm horn -H12-	30
SB21	Fuse 21 on fuse holder B -SB21-	30 A	Heated windscreen relay 2 -J611- <sup>7)</sup>	30
SB22	Fuse 22 on fuse holder B -SB22-	5 A 9)	Engine/motor control unit -J623- Special vehicle fuse	50
SB23	Fuse 23 on fuse holder B -SB23-	30 A	Starter -B-	50
SB24	Fuse 24 on fuse holder B -SB24-	40 A	Auxiliary air heater element -Z35- <sup>3)</sup> Brake servo -NX6- <sup>10)</sup>	87
SB25	not assigned	-		-
SB26	not assigned	-		-
SB27	not assigned	-		-
SB28	not assigned	-		-
SB29	not assigned	-		-
SB30	not assigned	-		-
SB31	not assigned	-		-
SB32	not assigned	-		-
SB33	Fuse 33 on fuse holder B -SB33-	15 A 30A <sup>10)</sup>	Mechatronic unit for dual clutch gearbox -J743- <sup>7)</sup> ◆ Dual clutch gearbox 0DL Brake system pressure accumulator -VX70- <sup>10)</sup>	30
SB34	Fuse 34 on fuse holder B -SB34-	5A	Brake servo -NX6- <sup>10)</sup>	-
SB35	Fuse 35 on fuse holder B -SB35-	30 A 7.5A <sup>10)</sup>	Wiper motor control unit -J400- <sup>6)</sup> Air conditioning system relay -J32- <sup>10)</sup>	30
SB36	not assigned	-		-
SB37	Fuse 37 on fuse holder B -SB37-	20 A	Auxiliary heater control unit -J364-	30
SB38	not assigned	-		-

<sup>1)</sup>Only models with petrol engine

<sup>2)</sup>Only models with petrol engine and active cylinder management (ACT)

<sup>3)</sup>Only models with diesel engine

<sup>4)</sup>Only models with diesel engine and reducing agent metering system (SCR)



- 5) Only models with battery at front
- 6) Only models with battery at rear
- 7) Depending on equipment
- 8) Only models with a 1.8–2.0l petrol engine
- 9) Fuse rating, see installation description for special installations
- 10) Only models with hybrid drive system

[Back to overview](#) ⇒ [page 1](#)

### 1.19.3 Fuse assignment for fuse holder B -SB- , from May 2017

Slot	Current flow diagram designation	Nominal value	Function / component	Terminal
SB1	Fuse 1 on fuse holder B -SB1-	25 A	ABS control unit -J104-	30
SB2	Fuse 2 on fuse holder B -SB2-	40 A	ABS control unit -J104- ◆ ABS hydraulic pump -V64-	30
SB3	Fuse 3 on fuse holder B -SB3-	15 A <sup>1), 10)</sup> 30 A <sup>3)</sup>	Engine/motor control unit -J623-	87
SB4	Fuse 4 on fuse holder B -SB4-	10 A <sup>2), 8), 10)</sup> 5 A <sup>3)</sup>	Radiator fan -VX57-  Oil level and oil temperature sender -G266- Relay for reducing agent metering system -J963- <sup>4)</sup> High heat output relay -J360- <sup>3)</sup> Low heat output relay -J359- <sup>3)</sup> Charge pressure positioner -V465- <sup>1)</sup> Activated charcoal filter solenoid valve 1 -N80- <sup>1)</sup> Exhaust camshaft control valve 1 -N318- <sup>1)</sup> Camshaft control valve 1 -N205- <sup>1)</sup> Valve for oil pressure control -N428- Inlet cam actuator for cylinder 2 -N583- <sup>2)</sup> Exhaust cam actuator for cylinder 2 -N587- <sup>2)</sup> Inlet cam actuator for cylinder 3 -N591- <sup>2)</sup> Exhaust cam actuator for cylinder 3 -N595- <sup>2)</sup> Fuel cooling valve -N289- <sup>3)</sup>	87

Slot	Current flow diagram designation	Nominal value	Function / component	Terminal
			Exhaust gas recirculation cooler changeover valve -N345- <sup>3)</sup> Intake manifold flap valve -N316- <sup>8)</sup> Charge pressure control solenoid valve -N75- <sup>3)</sup> Turbocharger air recirculation valve -N249- <sup>8)</sup> Power steering control unit -J500- <sup>8)</sup>	
SB5	Fuse 5 on fuse holder B -SB5-	10 A	Fuel pressure regulating valve -N276- <sup>3)</sup> Fuel metering valve -N290- <sup>3)</sup> Camshaft control valve 1 -N205- <sup>3)</sup> Exhaust cam actuator A for cylinder 1 -N580- <sup>8)</sup> Exhaust cam actuator B for cylinder 1 -N581- <sup>8)</sup> Exhaust cam actuator A for cylinder 2 -N588- <sup>8)</sup> Exhaust cam actuator B for cylinder 2 -N589- <sup>8)</sup> Exhaust cam actuator A for cylinder 3 -N596- <sup>8)</sup> Exhaust cam actuator B for cylinder 3 -N597- <sup>8)</sup> Exhaust cam actuator A for cylinder 4 -N604- <sup>8)</sup> Exhaust cam actuator B for cylinder 4 -N605- <sup>8)</sup> Injector, cylinder 1 -N30- <sup>8)</sup> Injector, cylinder 2 -N31- <sup>8)</sup> Injector, cylinder 3 -N32- <sup>8)</sup> Injector, cylinder 4 -N33- <sup>8)</sup> Engine component current supply relay -J757- <sup>8)</sup> Coolant valve for gearbox -N488- <sup>10)</sup> Coolant pump for high-voltage battery -V590- <sup>10)</sup> Coolant pump for high-temperature circuit -V467- <sup>10)</sup>	87
SB6	Fuse 6 on fuse holder B -SB6-	5 A	Brake light switch -F-	87
SB7	Fuse 7 on fuse holder B -SB7-	10 A <sup>1),3)</sup> 15 A <sup>4), 10)</sup> 7.5 A <sup>8)</sup>	Fuel metering valve -N290- <sup>1)</sup>  Circulation pump -V55- <sup>1)</sup> Radiator blind control motor -V544- <sup>3)</sup> Coolant valve for cylinder head -N489- <sup>3)</sup>	87

Slot	Current flow diagram designation	Nominal value	Function / component	Terminal
			Valve for oil pressure control -N428- <sup>3)</sup> Exhaust gas recirculation cooler changeover valve -N345- <sup>3)</sup> Charge pressure positioner -V465- <sup>4)</sup> Coolant pump for high-temperature circuit -V467- <sup>4)</sup> Charge air cooling pump -V188- <sup>3)</sup> Auxiliary pump for heating -V488- <sup>7)</sup> Coolant valve for gearbox -N488- <sup>7), 8)</sup> Coolant shut-off valve -N82- <sup>7), 8)</sup> Gearbox oil cooling pump -V478- <sup>7), 8)</sup> Fuel pressure regulating valve -N276- <sup>10)</sup> Coolant changeover valve 2 -N633- <sup>10)</sup> Coolant changeover valve 1 -N632- <sup>10)</sup> Coolant pump for low-temperature circuit -V468- <sup>10)</sup>	
SB8	Fuse 8 on fuse holder B -SB8-	10 A <sup>1)</sup> 15 A <sup>3), 8), 10)</sup>	Lambda probe 1 before catalytic converter -GX10- ♦ Lambda probe heater -Z19-  Lambda probe 1 after catalytic converter -GX7- ♦ Lambda probe 1 heater after catalytic converter -Z29-  NOx sender -G295- <sup>4)</sup>	87
SB9	Fuse 9 on fuse holder B -SB9-	20 A <sup>1), 10)</sup> 5 A <sup>3)</sup> 10 A <sup>8)</sup>	Ignition coil 1 with output stage -N70- <sup>1), 10)</sup>  Ignition coil 2 with output stage -N127- <sup>1), 10)</sup> Ignition coil 3 with output stage -N291- <sup>1), 10)</sup> Ignition coil 4 with output stage -N292- <sup>1), 10)</sup> Heater element for crankcase breather -N79- Automatic glow period control unit -J179- <sup>3)</sup> Air mass meter -G70- Charge air cooling pump -V188- <sup>8)</sup> Activated charcoal filter solenoid valve 1 -N80- <sup>8)</sup> Exhaust camshaft control valve 1 -N318- <sup>8)</sup> Camshaft control valve 1 -N205- <sup>8)</sup>	87

Slot	Current flow diagram designation	Nominal value	Function / component	Terminal
SB10	Fuse 10 on fuse holder B -SB10-	20 A <sup>7)</sup> 15 A <sup>7), 10)</sup>	Fuel pump control unit -J538-	87
SB11	Fuse 11 on fuse holder B -SB11-	40 A	Auxiliary air heater element -Z35-	87
SB12	Fuse 12 on fuse holder B -SB12-	40 A	Auxiliary air heater element -Z35-	87
SB13	Fuse 13 on fuse holder B -SB13-	30 A  15 A	Mechatronic unit for dual clutch gearbox -J743- <sup>7)</sup> <ul style="list-style-type: none"> <li>◆ Dual clutch gearbox 0CW</li> <li>◆ Dual clutch gearbox 0GC</li> </ul> Auxiliary hydraulic pump 1 for gearbox oil -V475- <sup>7)</sup> Mechatronic unit for dual clutch gearbox -J743- <sup>7)</sup> <ul style="list-style-type: none"> <li>◆ Dual clutch gearbox 0D9</li> </ul>	30
SB14	Fuse 14 on fuse holder B -SB14-	40 A <sup>7)</sup> 30 A <sup>7)</sup>	Heated windscreen relay -J47-	30
SB15	Fuse 15 on fuse holder B -SB15-	15 A	Horn relay -J413-	30
SB16	Fuse 16 on fuse holder B -SB16-	20 A <sup>8)</sup> 10A <sup>10)</sup>	Engine component current supply relay -J757- <sup>8)</sup>  Power and control electronics for electric drive -JX1- <sup>10)</sup> Charging unit 1 for high-voltage battery -AX4- <sup>10)</sup>	30
SB17	Fuse 17 on fuse holder B -SB17-	7.5 A	Main relay -J271- <sup>1)</sup> Terminal 30 voltage supply relay -J317- <sup>3)</sup> Engine/motor control unit -J623- ABS control unit -J104- Heated windscreen relay -J47-	30
SB18	Fuse 18 on fuse holder B -SB18-	5 A	Battery monitor control unit -J367- <sup>5)</sup> Data bus diagnostic interface -J533- <sup>7)</sup>	30
SB19	Fuse 19 on fuse holder B -SB19-	30 A	Wiper motor control unit -J400- <sup>5)</sup>	30
SB20	Fuse 20 on fuse holder B -SB20-	10 A	Alarm horn -H12-	30
SB21	Fuse 21 on fuse holder B -SB21-	30 A	Heated windscreen relay 2 -J611- <sup>7)</sup>	30
SB22	Fuse 22 on fuse holder B -SB22-	5 A  9)	Engine/motor control unit -J623- Special vehicle fuse	50
SB23	Fuse 23 on fuse holder B -SB23-	30 A	Starter -B-	50
SB24	Fuse 24 on fuse holder B -SB24-	40 A	Auxiliary air heater element -Z35- <sup>3)</sup>	87

Slot	Current flow diagram designation	Nominal value	Function / component	Terminal
			Brake servo -NX6- <sup>10)</sup>	
SB25	not assigned	-		-
SB26	not assigned	-		-
SB27	not assigned	-		-
SB28	not assigned	-		-
SB29	not assigned	-		-
SB30	not assigned	-		-
SB31	not assigned	-		-
SB32	not assigned	-		-
SB33	Fuse 33 on fuse holder B -SB33-	15 A 30A <sup>10)</sup>  30 A	Mechatronic unit for dual clutch gearbox -J743- <sup>7)</sup> ◆ Dual clutch gearbox 0DL  Brake system pressure accumulator -VX70- <sup>10)</sup> Mechatronic unit for dual clutch gearbox -J743- <sup>7)</sup> ◆ Dual clutch gearbox 0GC	30
SB34	Fuse 34 on fuse holder B -SB34-	5 A	Brake servo -NX6- <sup>10)</sup>	-
SB35	Fuse 35 on fuse holder B -SB35-	30 A 7.5 A <sup>10)</sup>	Wiper motor control unit -J400- <sup>6)</sup>  Air conditioning system relay -J32- <sup>10)</sup>	30
SB36	not assigned	-		-
SB37	Fuse 37 on fuse holder B -SB37-	20 A	Auxiliary heater control unit -J364-	30
SB38	not assigned	-		-

<sup>1)</sup>Only models with petrol engine

<sup>2)</sup>Only models with petrol engine and active cylinder management (ACT)

<sup>3)</sup>Only models with diesel engine

<sup>4)</sup>Only models with diesel engine and reducing agent metering system (SCR)

<sup>5)</sup>Only models with battery at front

<sup>6)</sup>Only models with battery at rear

<sup>7)</sup>Depending on equipment

- 8) Only models with a 1.8–2.0l petrol engine
- 9) Fuse rating, see installation description for special installations
- 10) Only models with hybrid drive system

[Back to overview ⇒ page 1](#)

### 1.19.4 Fuse assignment for fuse holder B -SB- , from November 2017

Slot	Current flow diagram designation	Nominal value	Function / component	Terminal
SB1	Fuse 1 on fuse holder B -SB1-	25 A	ABS control unit -J104-	30
SB2	Fuse 2 on fuse holder B -SB2-	40 A	ABS control unit -J104- ◆ ABS hydraulic pump -V64-	30
SB3	Fuse 3 on fuse holder B -SB3-	15 A <sup>1), 10)</sup> 30 A <sup>3)</sup>	Engine/motor control unit -J623-	87
SB4	Fuse 4 on fuse holder B -SB4-	10 A <sup>2), 8), 10)</sup> 5 A <sup>3)</sup>	Radiator fan -VX57-  Oil level and oil temperature sender -G266- Relay for reducing agent metering system -J963- <sup>4)</sup> High heat output relay -J360- <sup>3)</sup> Low heat output relay -J359- <sup>3)</sup> Charge pressure positioner -V465- <sup>1)</sup> Activated charcoal filter solenoid valve 1 -N80- <sup>1)</sup> Exhaust camshaft control valve 1 -N318- <sup>1)</sup> Camshaft control valve 1 -N205- <sup>1)</sup> Valve for oil pressure control -N428- Inlet cam actuator for cylinder 2 -N583- <sup>2)</sup> Exhaust cam actuator for cylinder 2 -N587- <sup>2)</sup> Inlet cam actuator for cylinder 3 -N591- <sup>2)</sup> Exhaust cam actuator for cylinder 3 -N595- <sup>2)</sup> Fuel cooling valve -N289- <sup>3)</sup> Exhaust gas recirculation cooler changeover valve -N345- <sup>3)</sup> Intake manifold flap valve -N316- <sup>8)</sup> Charge pressure control solenoid valve -N75- <sup>3)</sup> Turbocharger air recirculation valve -N249- <sup>8)</sup>	87

Slot	Current flow diagram designation	Nominal value	Function / component	Terminal
			Power steering control unit -J500- <sup>8)</sup>	
SB5	Fuse 5 on fuse holder B -SB5-	10 A	Fuel pressure regulating valve -N276- <sup>3)</sup> Fuel metering valve -N290- <sup>3)</sup> Camshaft control valve 1 -N205- <sup>3)</sup> Exhaust cam actuator A for cylinder 1 -N580- <sup>8)</sup> Exhaust cam actuator B for cylinder 1 -N581- <sup>8)</sup> Exhaust cam actuator A for cylinder 2 -N588- <sup>8)</sup> Exhaust cam actuator B for cylinder 2 -N589- <sup>8)</sup> Exhaust cam actuator A for cylinder 3 -N596- <sup>8)</sup> Exhaust cam actuator B for cylinder 3 -N597- <sup>8)</sup> Exhaust cam actuator A for cylinder 4 -N604- <sup>8)</sup> Exhaust cam actuator B for cylinder 4 -N605- <sup>8)</sup> Injector, cylinder 1 -N30- <sup>8)</sup> Injector, cylinder 2 -N31- <sup>8)</sup> Injector, cylinder 3 -N32- <sup>8)</sup> Injector, cylinder 4 -N33- <sup>8)</sup> Engine component current supply relay -J757- <sup>8)</sup> Coolant valve for gearbox -N488- <sup>10)</sup> Coolant pump for high-voltage battery -V590- <sup>10)</sup> Coolant pump for high-temperature circuit -V467- <sup>10)</sup>	87
SB6	Fuse 6 on fuse holder B -SB6-	7.5 A	Brake light switch -F-	87
SB7	Fuse 7 on fuse holder B -SB7-	10 A <sup>1),3)</sup> 15 A <sup>4), 10)</sup> 7.5 A <sup>8)</sup>	Fuel metering valve -N290- <sup>1)</sup> Circulation pump -V55- <sup>1)</sup> Radiator blind control motor -V544- <sup>3)</sup> Coolant valve for cylinder head -N489- <sup>3)</sup> Valve for oil pressure control -N428- <sup>3)</sup> Exhaust gas recirculation cooler changeover valve -N345- <sup>3)</sup> Charge pressure positioner -V465- <sup>4)</sup> Coolant pump for high-temperature circuit -V467- <sup>4)</sup>	87

Slot	Current flow diagram designation	Nominal value	Function / component	Terminal
			Charge air cooling pump -V188- <sup>3)</sup> Auxiliary pump for heating -V488- <sup>7)</sup> Coolant valve for gearbox -N488- <sup>7), 8)</sup> Coolant shut-off valve -N82- <sup>7), 8)</sup> Gearbox oil cooling pump -V478- <sup>7), 8)</sup> Fuel pressure regulating valve -N276- <sup>10)</sup> Coolant changeover valve 2 -N633- <sup>10)</sup> Coolant changeover valve 1 -N632- <sup>10)</sup> Coolant pump for low-temperature circuit -V468- <sup>10)</sup>	
SB8	Fuse 8 on fuse holder B -SB8-	10 A <sup>1)</sup> 15 A <sup>3), 8), 10)</sup>	Lambda probe 1 before catalytic converter -GX10- ◆ Lambda probe heater -Z19-  Lambda probe 1 after catalytic converter -GX7- ◆ Lambda probe 1 heater after catalytic converter -Z29-  NOx sender -G295- <sup>4)</sup>	87
SB9	Fuse 9 on fuse holder B -SB9-	20 A <sup>1), 10)</sup> 7.5 A <sup>3)</sup> 10 A <sup>8)</sup>	Ignition coil 1 with output stage -N70- <sup>1), 10)</sup>  Ignition coil 2 with output stage -N127- <sup>1), 10)</sup> Ignition coil 3 with output stage -N291- <sup>1), 10)</sup> Ignition coil 4 with output stage -N292- <sup>1), 10)</sup> Heater element for crankcase breather -N79- Automatic glow period control unit -J179- <sup>3)</sup> Air mass meter -G70- Charge air cooling pump -V188- <sup>8)</sup> Activated charcoal filter solenoid valve 1 -N80- <sup>8)</sup> Exhaust camshaft control valve 1 -N318- <sup>8)</sup> Camshaft control valve 1 -N205- <sup>8)</sup>	87
SB10	Fuse 10 on fuse holder B -SB10-	20 A <sup>7)</sup> 15 A <sup>7), 10)</sup>	Fuel pump control unit -J538-	87
SB11	Fuse 11 on fuse holder B -SB11-	40 A	Auxiliary air heater element -Z35-	87
SB12	Fuse 12 on fuse holder B -SB12-	40 A	Auxiliary air heater element -Z35-	87



Slot	Current flow diagram designation	Nominal value	Function / component	Terminal
SB13	Fuse 13 on fuse holder B -SB13-	30 A  15 A	Mechatronic unit for dual clutch gearbox -J743- <sup>7)</sup> ♦ Dual clutch gearbox 0CW ♦ Dual clutch gearbox 0GC Auxiliary hydraulic pump 1 for gearbox oil -V475- <sup>7)</sup> Mechatronic unit for dual clutch gearbox -J743- <sup>7)</sup> ♦ Dual clutch gearbox 0D9	30
SB14	Fuse 14 on fuse holder B -SB14-	40 A <sup>7)</sup> 30 A <sup>7)</sup>	Heated windscreen relay -J47-	30
SB15	Fuse 15 on fuse holder B -SB15-	15 A	Horn relay -J413-	30
SB16	Fuse 16 on fuse holder B -SB16-	20 A <sup>8)</sup> 10A <sup>10)</sup>	Engine component current supply relay -J757- <sup>8)</sup> Power and control electronics for electric drive -JX1- <sup>10)</sup> Charging unit 1 for high-voltage battery -AX4- <sup>10)</sup>	30
SB17	Fuse 17 on fuse holder B -SB17-	7.5 A	Main relay -J271- <sup>1)</sup> Terminal 30 voltage supply relay -J317- <sup>3)</sup> Engine/motor control unit -J623- ABS control unit -J104- Heated windscreen relay -J47-	30
SB18	Fuse 18 on fuse holder B -SB18-	7.5 A	Battery monitor control unit -J367- <sup>5)</sup> Data bus diagnostic interface -J533- <sup>7)</sup>	30
SB19	Fuse 19 on fuse holder B -SB19-	30 A	Wiper motor control unit -J400- <sup>5)</sup>	30
SB20	Fuse 20 on fuse holder B -SB20-	10 A	Alarm horn -H12-	30
SB21	Fuse 21 on fuse holder B -SB21-	30 A	Heated windscreen relay 2 -J611- <sup>7)</sup>	30
SB22	Fuse 22 on fuse holder B -SB22-	7.5 A  9)	Engine/motor control unit -J623- Special vehicle fuse	50
SB23	Fuse 23 on fuse holder B -SB23-	30 A	Starter -B-	50
SB24	Fuse 24 on fuse holder B -SB24-	40 A	Auxiliary air heater element -Z35- <sup>3)</sup> Brake servo -NX6- <sup>10)</sup>	87
SB25	not assigned	-		-
SB26	not assigned	-		-
SB27	not assigned	-		-

Slot	Current flow diagram designation	Nominal value	Function / component	Terminal
SB28	not assigned	-		-
SB29	not assigned	-		-
SB30	not assigned	-		-
SB31	not assigned	-		-
SB32	not assigned	-		-
SB33	Fuse 33 on fuse holder B -SB33-	15 A 30A <sup>10)</sup>  30 A	Mechatronic unit for dual clutch gearbox -J743- <sup>7)</sup> ♦ Dual clutch gearbox 0DL  Brake system pressure accumulator -VX70- <sup>10)</sup> Mechatronic unit for dual clutch gearbox -J743- <sup>7)</sup> ♦ Dual clutch gearbox 0GC	30
SB34	Fuse 34 on fuse holder B -SB34-	5 A	Brake servo -NX6- <sup>10)</sup>	-
SB35	Fuse 35 on fuse holder B -SB35-	30 A 7.5 A <sup>10)</sup>	Wiper motor control unit -J400- <sup>6)</sup>  Air conditioning system relay -J32- <sup>10)</sup>	30
SB36	not assigned	-		-
SB37	Fuse 37 on fuse holder B -SB37-	20 A	Auxiliary heater control unit -J364-	30
SB38	not assigned	-		-

<sup>1)</sup>Only models with petrol engine

<sup>2)</sup>Only models with petrol engine and active cylinder management (ACT)

<sup>3)</sup>Only models with diesel engine

<sup>4)</sup>Only models with diesel engine and reducing agent metering system (SCR)

<sup>5)</sup>Only models with battery at front

<sup>6)</sup>Only models with battery at rear

<sup>7)</sup>Depending on equipment

<sup>8)</sup> Only models with a 1.8–2.0l petrol engine

<sup>9)</sup> Fuse rating, see installation description for special installations

<sup>10)</sup>Only models with hybrid drive system

[Back to overview ⇒ page 1](#)
**1.19.5 Fuse assignment for fuse holder B -SB- , from July 2018**

Slot	Current flow diagram designation	Nominal value	Function / component	Terminal
SB1	Fuse 1 on fuse holder B -SB1-	25 A	ABS control unit -J104-	30
SB2	Fuse 2 on fuse holder B -SB2-	40 A	ABS control unit -J104- ◆ ABS hydraulic pump -V64-	30
SB3	Fuse 3 on fuse holder B -SB3-	15 A <sup>1), 10)</sup> 30 A <sup>3)</sup>	Engine/motor control unit -J623-	87
SB4	Fuse 4 on fuse holder B -SB4-	10 A <sup>2), 8), 10)</sup> 7.5 A <sup>1),4)</sup>	Radiator fan -VX57- Oil level and oil temperature sender -G266- Relay for reducing agent metering system -J963- <sup>4)</sup> High heat output relay -J360- <sup>3)</sup> Low heat output relay -J359- <sup>3)</sup> Charge pressure positioner -V465- <sup>1)</sup> Activated charcoal filter solenoid valve 1 -N80- <sup>1)</sup> Exhaust camshaft control valve 1 -N318- <sup>1)</sup> Camshaft control valve 1 -N205- <sup>1)</sup> Valve for oil pressure control -N428- Inlet cam actuator for cylinder 2 -N583- <sup>2)</sup> Exhaust cam actuator for cylinder 2 -N587- <sup>2)</sup> Inlet cam actuator for cylinder 3 -N591- <sup>2)</sup> Exhaust cam actuator for cylinder 3 -N595- <sup>2)</sup> Fuel cooling valve -N289- <sup>3)</sup> Exhaust gas recirculation-cooler changeover valve -N345- <sup>3)</sup> Intake manifold flap valve -N316- <sup>8)</sup> Charge pressure control solenoid valve -N75- <sup>3)</sup> Turbocharger air recirculation valve -N249- <sup>8)</sup> Power steering control unit -J500- <sup>8)</sup>	87
SB5	Fuse 5 on fuse holder B -SB5-	10 A	Fuel pressure regulating valve -N276- <sup>3)</sup> Fuel metering valve -N290- <sup>3)</sup> Camshaft control valve 1 -N205- <sup>3)</sup>	87

Slot	Current flow diagram designation	Nominal value	Function / component	Terminal
			Exhaust cam actuator A for cylinder 1 -N580- 8) Exhaust cam actuator B for cylinder 1 -N581- 8) Exhaust cam actuator A for cylinder 2 -N588- 8) Exhaust cam actuator B for cylinder 2 -N589- 8) Exhaust cam actuator A for cylinder 3 -N596- 8) Exhaust cam actuator B for cylinder 3 -N597- 8) Exhaust cam actuator A for cylinder 4 -N604- 8) Exhaust cam actuator B for cylinder 4 -N605- 8) Injector, cylinder 1 -N30- 8) Injector, cylinder 2 -N31- 8) Injector, cylinder 3 -N32- 8) Injector, cylinder 4 -N33- 8) Engine component current supply relay -J757- 8) Coolant valve for gearbox -N488- 10) Coolant pump for high-voltage battery -V590- 10) Coolant pump for high-temperature circuit -V467- 10)	
SB6	Fuse 6 on fuse holder B -SB6-	7.5 A	Brake light switch -F-	87
SB7	Fuse 7 on fuse holder B -SB7-	10 A <sup>1),3)</sup> 15 A <sup>4), 10)</sup> 7.5 A <sup>8)</sup>	Fuel metering valve -N290- 1)  Circulation pump -V55- 1) Radiator blind control motor -V544- 3) Coolant valve for cylinder head -N489- 3) Valve for oil pressure control -N428- 3) Exhaust gas recirculation cooler changeover valve -N345- 3) Charge pressure positioner -V465- 4) Coolant pump for high-temperature circuit -V467- 4) Charge air cooling pump -V188- 3) Auxiliary pump for heating -V488- 7) Coolant valve for gearbox -N488- 7), 8) Coolant shut-off valve -N82- 7), 8)	87

Slot	Current flow diagram designation	Nominal value	Function / component	Terminal
			Gearbox oil cooling pump -V478- 7), 8) Fuel pressure regulating valve -N276- 10) Coolant changeover valve 2 -N633- 10) Coolant changeover valve 1 -N632- 10) Coolant pump for low-temperature circuit -V468- 10)	
SB8	Fuse 8 on fuse holder B -SB8-	10 A <sup>1)</sup> 15 A <sup>3), 8), 10)</sup>	Lambda probe 1 before catalytic converter -GX10- ◆ Lambda probe heater -Z19-  Lambda probe 1 after catalytic converter -GX7- ◆ Lambda probe 1 heater after catalytic converter -Z29-  NOx sender -G295- 4) Particulate sensor -G784- 11)	87
SB9	Fuse 9 on fuse holder B -SB9-	20 A <sup>1), 10)</sup> 7.5 A <sup>3)</sup> 10 A <sup>8)</sup>	Ignition coil 1 with output stage -N70- 1), 10)  Ignition coil 2 with output stage -N127- 1), 10) Ignition coil 3 with output stage -N291- 1), 10) Ignition coil 4 with output stage -N292- 1), 10) Heater element for crankcase breather -N79- Automatic glow period control unit -J179- 3) Air mass meter -G70- Charge air cooling pump -V188- 8) Activated charcoal filter solenoid valve 1 -N80- 8) Exhaust camshaft control valve 1 -N318- 8) Camshaft control valve 1 -N205- 8)	87
SB10	Fuse 10 on fuse holder B -SB10-	20 A <sup>7)</sup> 15 A <sup>7), 10)</sup>	Fuel pump control unit -J538-	87
SB11	Fuse 11 on fuse holder B -SB11-	40 A	Auxiliary air heater element -Z35-	87
SB12	Fuse 12 on fuse holder B -SB12-	40 A	Auxiliary air heater element -Z35-	87
SB13	Fuse 13 on fuse holder B -SB13-	7.5 A <sup>10)</sup>	Brake servo -NX6-	30
SB14	Fuse 14 on fuse holder B -SB14-	40 A	Heated windscreen relay -J47-	30
SB15	Fuse 15 on fuse holder B -SB15-	15 A	Horn relay -J413-	30

Slot	Current flow diagram designation	Nominal value	Function / component	Terminal
SB16	Fuse 16 on fuse holder B -SB16-	20 A <sup>8)</sup> 10A <sup>10)</sup>	Engine component current supply relay -J757- <sup>8)</sup>  Power and control electronics for electric drive -JX1- <sup>10)</sup> Charging unit 1 for high-voltage battery -AX4- <sup>10)</sup>	30
SB17	Fuse 17 on fuse holder B -SB17-	7.5 A	Main relay -J271- <sup>1)</sup> Terminal 30 voltage supply relay -J317- <sup>3)</sup> Engine/motor control unit -J623- ABS control unit -J104- Heated windscreen relay -J47-	30
SB18	Fuse 18 on fuse holder B -SB18-	7.5 A	Battery monitor control unit -J367- <sup>5)</sup> Data bus diagnostic interface -J533- <sup>7)</sup>	30
SB19	Fuse 19 on fuse holder B -SB19-	30 A	Wiper motor control unit -J400- <sup>5)</sup>	30
SB20	not assigned	-		-
SB21	Fuse 21 on fuse holder B -SB21-	15 A	Mechatronic unit for dual clutch gearbox -J743- <sup>7)</sup> ◆ Dual clutch gearbox 0CW ◆ Dual clutch gearbox 0GC  Auxiliary hydraulic pump 1 for gearbox oil -V475- <sup>7)</sup> Mechatronic unit for dual clutch gearbox -J743- <sup>7)</sup> ◆ Dual clutch gearbox 0D9	30
SB22	Fuse 22 on fuse holder B -SB22-	7.5 A <sup>9)</sup>	Engine/motor control unit -J623- Special vehicle fuse	50
SB23	Fuse 23 on fuse holder B -SB23-	30 A	Starter -B-	50
SB24	Fuse 24 on fuse holder B -SB24-	40 A	Auxiliary air heater element -Z35- <sup>3)</sup> Brake servo -NX6- <sup>10)</sup>	87
SB25	not assigned	-		-
SB26	not assigned	-		-
SB27	not assigned	-		-
SB28	not assigned	-		-
SB29	not assigned	-		-
SB30	not assigned	-		-
SB31	not assigned	-		-

Slot	Current flow diagram designation	Nominal value	Function / component	Terminal
SB32	Fuse 32 on fuse holder B -SB32-	30 A	Heated windscreen -Z2- <sup>6)</sup> , <sup>7)</sup>	30
SB33	Fuse 33 on fuse holder B -SB33-	15 A 30A <sup>10)</sup>  30 A	Mechatronic unit for dual clutch gearbox -J743- <sup>7)</sup> ◆ Dual clutch gearbox 0DL  Brake system pressure accumulator -VX70- <sup>10)</sup> Mechatronic unit for dual clutch gearbox -J743- <sup>7)</sup> ◆ Dual clutch gearbox 0GC	30
SB34	Fuse 34 on fuse holder B -SB34-	30 A	Heated windscreen -Z2- <sup>5)</sup> , <sup>7)</sup>	30
SB35	Fuse 35 on fuse holder B -SB35-	30 A 7.5 A <sup>10)</sup>	Wiper motor control unit -J400- <sup>6)</sup>  Air conditioning system relay -J32- <sup>10)</sup>	30
SB36	not assigned	-		-
SB37	Fuse 37 on fuse holder B -SB37-	20 A	Auxiliary heater control unit -J364-	30
SB38	not assigned	-		-

<sup>1)</sup>Only models with petrol engine

<sup>2)</sup>Only models with petrol engine and active cylinder management (ACT)

<sup>3)</sup>Only models with diesel engine

<sup>4)</sup>Only models with diesel engine and reducing agent metering system (SCR)

<sup>5)</sup>Only models with battery at front

<sup>6)</sup>Only models with battery at rear

<sup>7)</sup>Depending on equipment

<sup>8)</sup> Only models with a 1.8–2.0l petrol engine

<sup>9)</sup> Fuse rating, see installation description for special installations

<sup>10)</sup>Only models with hybrid drive system

<sup>11)</sup>Only for models with emission standard Euro 6 AG/H/I

Back to overview ⇒ [page 1](#)

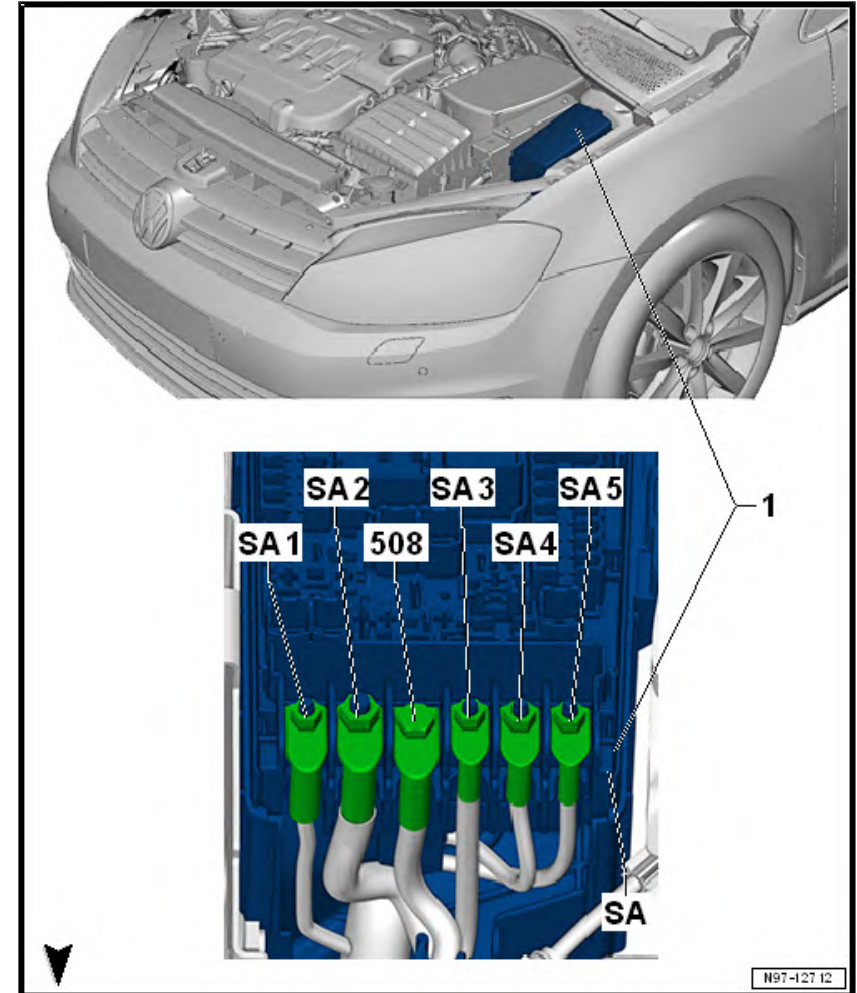
1.20 Fitting location of fuse holder A -SA-

1.20.1 Fitting location of fuse holder A -SA-

1 - Fuse holder A -SA-

508 - Threaded connection (30) on E-box

- Connection for battery -A-





**Multifuse strip fuse**

⇒ Rep. Gr. 97 ; Removing and installing fuse holder



**Note**

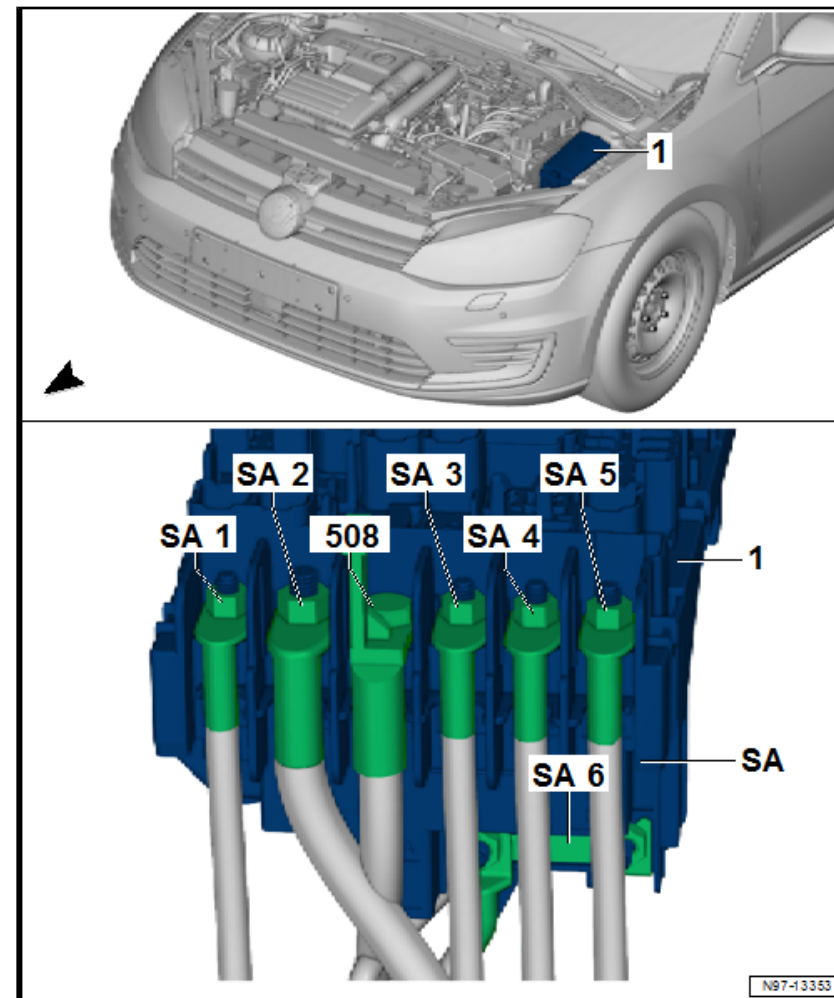
*The fuse strip (multifuse) must be replaced as a complete unit.*

**Back to overview ⇒ [page 1](#)**

**1.20.2 Fitting location of fuse holder A -SA- , only models with hybrid drive system**

1 - Fuse holder A -SA-

508 - Threaded connection (30) on E-box



**Multifuse strip fuse**

⇒ Rep. Gr. 97 ; Removing and installing fuse holder



Note

*The fuse strip (multifuse) must be replaced as a complete unit.*

[Back to overview ⇒ page 1](#)

1.21 Fuse assignment for fuse holder A -SA-

1.21.1 Fuse assignment for fuse holder A -SA- , from September 2014

Screw location	Current flow diagram designation	Nominal value	Function/component	Terminal
SA1	Fuse 1 on fuse holder A -SA1-	125 A <sup>1)</sup>	Supply for fuse holder C -SC- <sup>1)</sup> ♦ Terminal 30_1 ♦ Fuse 2 on fuse holder C -SC2- ♦ Fuse 4 on fuse holder C -SC4- - fuse 14 on fuse holder C -SC14- ♦ Fuse 22 on fuse holder C -SC22- ♦ Fuse 31 on fuse holder C -SC31- ♦ Fuse 38 on fuse holder C -SC38- - fuse 39 on fuse holder C -SC39- ♦ Fuse 41 on fuse holder C -SC41- - fuse 42 on fuse holder C -SC42- ♦ Fuse 46 on fuse holder C -SC46- ♦ Fuse 51 on fuse holder C -SC51- ♦ Fuse 53 on fuse holder C -SC53- ♦ Relay for power sockets -J807- ♦ Terminal 15 voltage supply relay -J329-	30
		80 A <sup>2)</sup>	Radiator fan -VX57- <sup>2)</sup>	
SA2	Fuse 2 on fuse holder A -SA2-	400 A	Alternator -C-	30
SA3	Fuse 3 on fuse holder A -SA3-	80 A <sup>1)</sup>	Power steering control unit -J500- <sup>1)</sup>	30

Screw location	Current flow diagram designation	Nominal value	Function/component	Terminal
SA4	Fuse 4 on fuse holder A -SA4-	80 A <sup>1)</sup>	Supply for fuse holder C -SC- <sup>1)</sup> ◆ Terminal 30_2 ◆ Fuse 1 on fuse holder C -SC1- ◆ Fuse 3 on fuse holder C -SC3- ◆ Fuse 15 on fuse holder C -SC15- - fuse 21 on fuse holder C -SC21- ◆ Fuse 23 on fuse holder C -SC23- - fuse 28 on fuse holder C -SC28- ◆ Fuse 43 on fuse holder C -SC43- - fuse 45 on fuse holder C -SC45- ◆ Fuse 50 on fuse holder C -SC50-	30
		80 A <sup>2)</sup>	Power steering control unit -J500- <sup>2)</sup>	
SA5	Fuse 5 on fuse holder A -SA5-	50 A <sup>1)</sup> _2)	Radiator fan -VX57- <sup>1)</sup> Supply for fuse 4 on fuse holder A -SA4- ◆ Power steering control unit -J500- <sup>2)</sup>	30

<sup>1)</sup>Only models with battery at front

<sup>2)</sup>Only models with battery at rear

**Back to overview** ⇒ [page 1](#)

1.21.2 Fuse assignment for fuse holder A -SA- , from August 2015, only models with hybrid drive system

Screw location	Current flow diagram designation	Nominal value	Function/component	Terminal
SA1	Fuse 1 on fuse holder A -SA1-	125 A	Supply for fuse holder C -SC- <ul style="list-style-type: none"> <li>◆ Terminal 30_1</li> <li>◆ Fuse 2 on fuse holder C -SC2-</li> <li>◆ Fuse 4 on fuse holder C -SC4- - fuse 14 on fuse holder C -SC14-</li> <li>◆ Fuse 22 on fuse holder C -SC22-</li> <li>◆ Fuse 31 on fuse holder C -SC31-</li> <li>◆ Fuse 38 on fuse holder C -SC38- - fuse 39 on fuse holder C -SC39-</li> <li>◆ Fuse 41 on fuse holder C -SC41- - fuse 42 on fuse holder C -SC42-</li> <li>◆ Fuse 46 on fuse holder C -SC46-</li> <li>◆ Fuse 51 on fuse holder C -SC51-</li> <li>◆ Fuse 53 on fuse holder C -SC53-</li> <li>◆ Relay for power sockets -J807-</li> <li>◆ Terminal 15 voltage supply relay -J329-</li> </ul>	30
SA2	Fuse 2 on fuse holder A -SA2-	400 A	Alternator -C- Power and control electronics for electric drive -JX1-	30
SA3	Fuse 3 on fuse holder A -SA3-	80 A	Power steering control unit -J500-	30
SA4	Fuse 4 on fuse holder A -SA4-	80 A	Supply for fuse holder C -SC- <ul style="list-style-type: none"> <li>◆ Terminal 30_2</li> <li>◆ Fuse 1 on fuse holder C -SC1-</li> <li>◆ Fuse 3 on fuse holder C -SC3-</li> <li>◆ Fuse 15 on fuse holder C -SC15- - fuse 21 on fuse holder C -SC21-</li> <li>◆ Fuse 23 on fuse holder C -SC23- - fuse 28 on fuse holder C -SC28-</li> <li>◆ Fuse 43 on fuse holder C -SC43- - fuse 45 on fuse holder C -SC45-</li> <li>◆ Fuse 50 on fuse holder C -SC50-</li> </ul>	30

Screw location	Current flow diagram designation	Nominal value	Function/component	Terminal
SA5	Fuse 5 on fuse holder A -SA5-	80 A	Radiator fan -VX57-	30
SA6	Fuse 6 on fuse holder A -SA6-	50A	Mechatronic unit for dual clutch gearbox -J743- ◆ Dual clutch gearbox 0DD	30

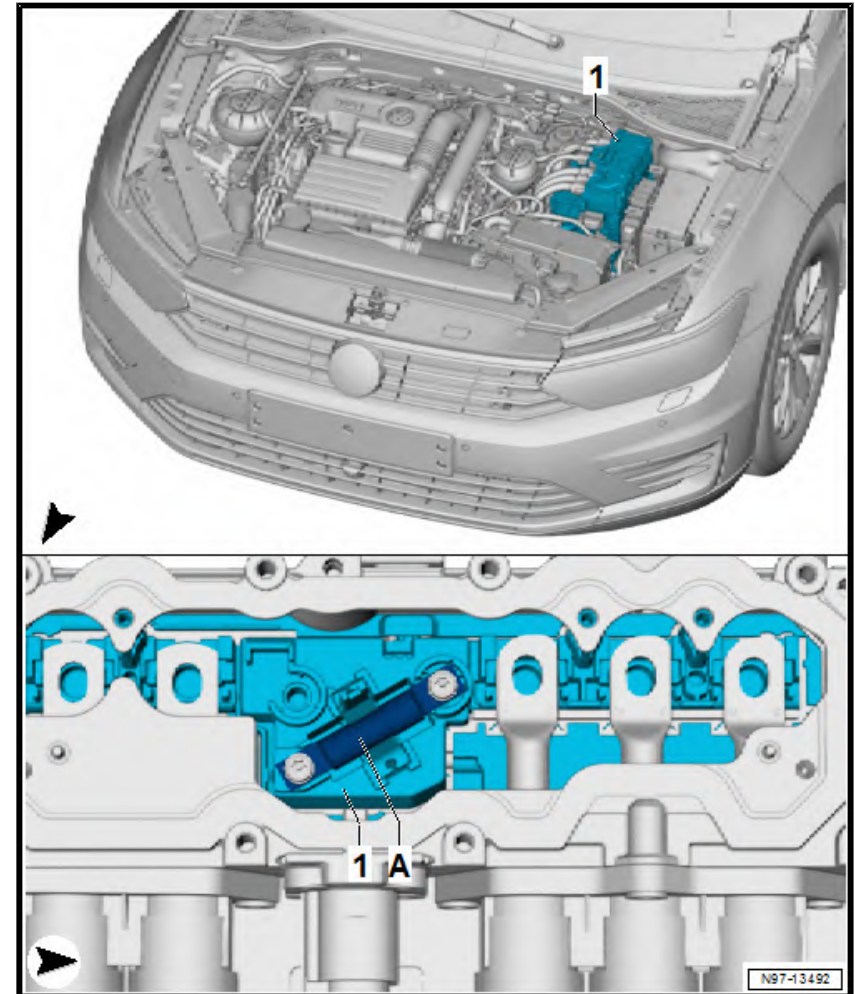
Back to overview ⇒ [page 1](#)

**1.22 Fitting location of fuse holder in the power and control electronics for electric drive -JX1-**

**1.22.1 Fitting location of fuse holder in the power and control electronics for electric drive -JX1- , only models with hybrid drive system**

1 - Power and control electronics for electric drive -JX1-

A - High-voltage system fuse 3 -S353- in the power and control electronics for electric drive -JX1-



Back to overview ⇒ [page 1](#)

**1.23 Fuse assignment for high-voltage system fuse 3 -S353-**

**1.23.1 Fuse assignment for high-voltage system fuse 3 -S353- , from August 2015, only models with hybrid drive system**

Screw location	Current flow diagram designation	Nominal value	Function/component	Terminal
1	High-voltage system fuse 3 -S353-	80 A	Power and control electronics for electric drive -JX1-	30

Back to overview ⇒ [page 1](#)



# 1 Relays

## 1.1 Overview of relay carriers

Overview of relay carriers, saloon ⇒ [page 1](#)

Overview of relay carriers, estate ⇒ [page 3](#)

### 1.1.1 Overview of relay carriers, saloon

**i** Note

*The fitting locations are identical on LHD and RHD models.*

**1 - Relay and fuse carrier 4 -SR4- , in luggage compartment**

**i** Note

*Only for special vehicles*

- ◆ Battery isolation relay -J7-
- ◆ Two-way radio voltage relay -J84-
  - Fitting location and relay assignment, only for special vehicles, from April 2015 ⇒ [page 5](#)

**2 - Relays in switching unit for high-voltage battery -SX6- , in high-voltage battery**

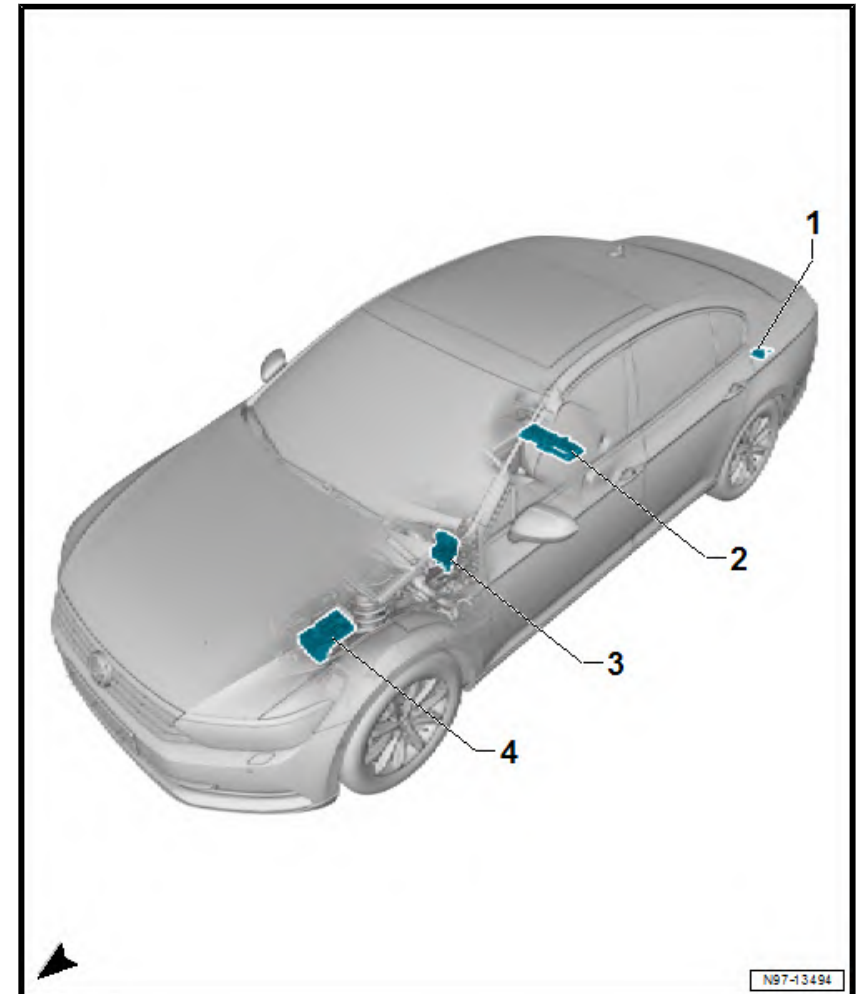
**i** Note

*Only models with hybrid drive system*

- ◆ Precharge contactor for high-voltage battery -J1044-
- ◆ High-voltage battery power contactor 1 -J1057-
- ◆ High-voltage battery power contactor 2 -J1058-
  - Fitting location and relay assignment, from August 2015 ⇒ [page 6](#)

**3 - Relay and fuse carrier 2 -SR2- , under dash panel on left**

- ◆ Heated rear window relay -J9-



- ◆ Magnetic clutch relay -J44-
- ◆ Terminal 15 voltage supply relay -J329-
- ◆ Relay for power sockets -J807-
- ◆ Relay for reducing agent metering system -J963-
  - Fitting locations and relay assignment, left-hand drive models, from September 2014 ⇒ [page 7](#)
  - Fitting locations and relay assignment, right-hand drive models, from September 2014 ⇒ [page 8](#)

#### **4 - Relay and fuse carrier 1 -SR1- , in E-box in engine compartment**

- ◆ Air conditioning system relay -J32-
- ◆ Heated windscreen relay -J47-
- ◆ Coolant shortage indicator control unit -J120-
- ◆ Automatic glow period control unit -J179-
- ◆ Main relay -J271-
- ◆ Terminal 30 voltage supply relay -J317-
- ◆ Low heat output relay -J359-
- ◆ High heat output relay -J360-
- ◆ Horn relay -J413-
- ◆ Heated windscreen relay 2 -J611-
- ◆ Engine component current supply relay -J757-
- ◆ Starter relay 1 -J906-
- ◆ Starter relay 2 -J907-
  - Fitting location and relay assignment, PR no. 4GW, 4GF, from September 2014 ⇒ [page 9](#)
  - Fitting location and relay assignment, PR no. 4GX, from September 2014 ⇒ [page 10](#)

### 1.1.2 Overview of relay carriers, estate

**i** Note

*The fitting locations are identical on LHD and RHD models.*

**1 - Relay and fuse carrier 4 -SR4- , in luggage compartment**

**i** Note

*Only for special vehicles*

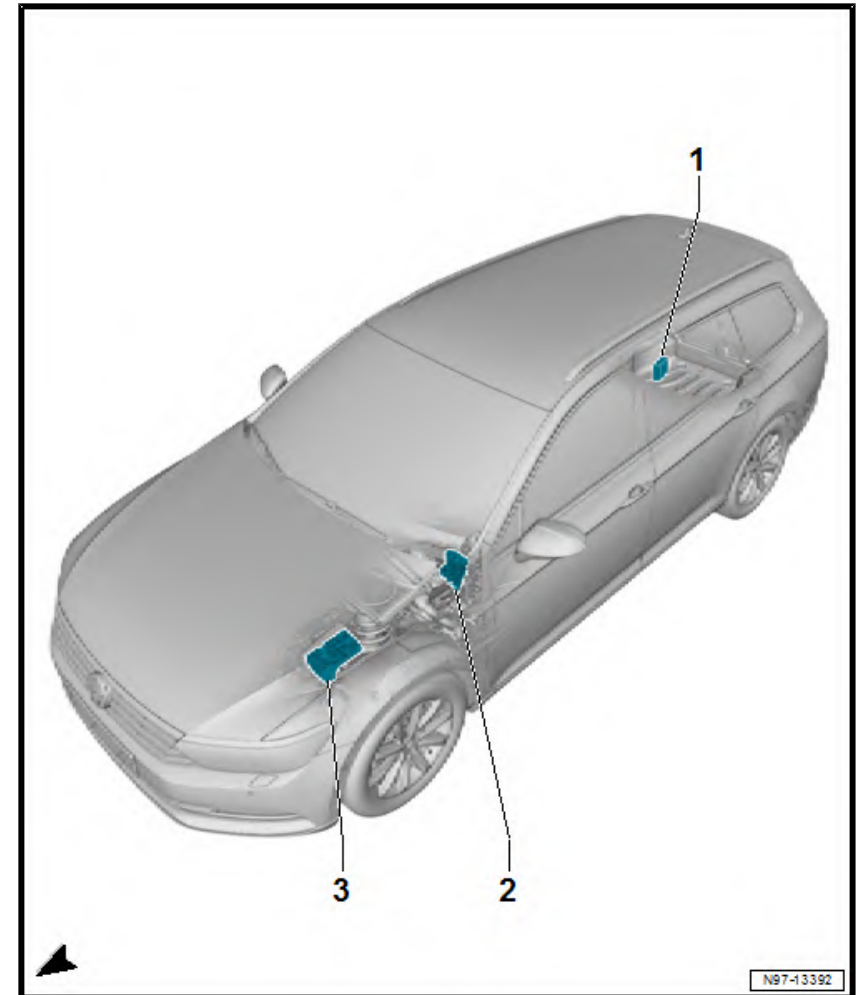
- ◆ Battery isolation relay -J7-
- ◆ Two-way radio voltage relay -J84-
  - Fitting location and relay assignment, only for special vehicles, from April 2015 ⇒ [page 5](#)

**2 - Relay and fuse carrier 2 -SR2- , under dash panel on left**

- ◆ Heated rear window relay -J9-
- ◆ Magnetic clutch relay -J44-
- ◆ Terminal 15 voltage supply relay -J329-
- ◆ Relay for power sockets -J807-
- ◆ Relay for reducing agent metering system -J963-
  - Fitting locations and relay assignment, left-hand drive models, from September 2014 ⇒ [page 7](#)
  - Fitting locations and relay assignment, right-hand drive models, from September 2014 ⇒ [page 8](#)

**3 - Relay and fuse carrier 1 -SR1- , in E-box in engine compartment**

- ◆ Air conditioning system relay -J32-
- ◆ Heated windscreen relay -J47-
- ◆ Coolant shortage indicator control unit -J120-
- ◆ Automatic glow period control unit -J179-
- ◆ Main relay -J271-



- ◆ Terminal 30 voltage supply relay -J317-
- ◆ Low heat output relay -J359-
- ◆ High heat output relay -J360-
- ◆ Horn relay -J413-
- ◆ Heated windscreen relay 2 -J611-
- ◆ Engine component current supply relay -J757-
- ◆ Starter relay 1 -J906-
- ◆ Starter relay 2 -J907-
  - Fitting location and relay assignment, PR no. 4GW, 4GF, from September 2014 ⇒ [page 9](#)
  - Fitting location and relay assignment, PR no. 4GX, from September 2014 ⇒ [page 10](#)

1.2 Relay and fuse carrier 4 -SR4- , in luggage compartment

1.2.1 Fitting location and relay assignment of relay and fuse carrier 4 -SR4- , from April 2015, only for special vehicles

1 - Relay and fuse carrier 4 -SR4- , in luggage compartment

R1 - Battery isolation relay -J7-

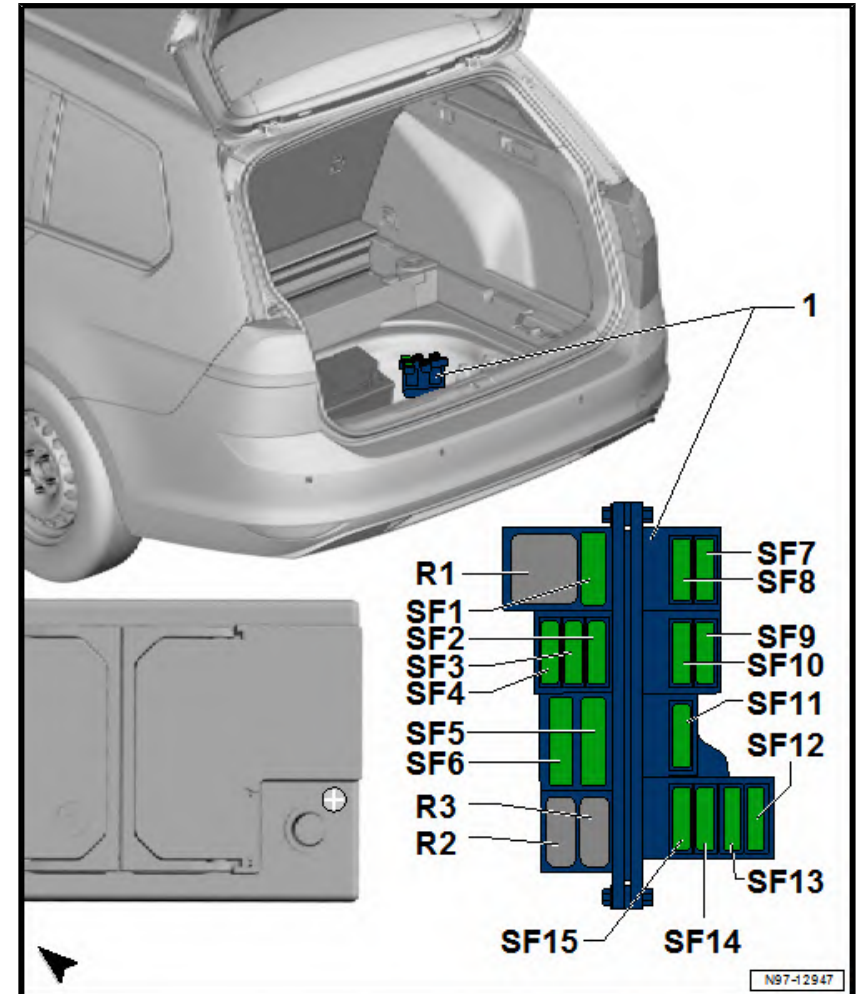
- Only for special vehicles

R2 - Two-way radio voltage relay -J84-

- Only for special vehicles

R3 - Relay for special vehicles

- According to equipment



[Back to overview ⇒ page 1](#)

### 1.3 Relay in high-voltage battery junction box -SX6-

#### 1.3.1 Fitting location and relay assignment in switching unit for high-voltage battery -SX6- , from August 2015, only models with hybrid drive system

1 - Switching unit for high-voltage battery -SX6- , in the high-voltage battery

R1 - Precharge contactor for high-voltage battery -J1044-

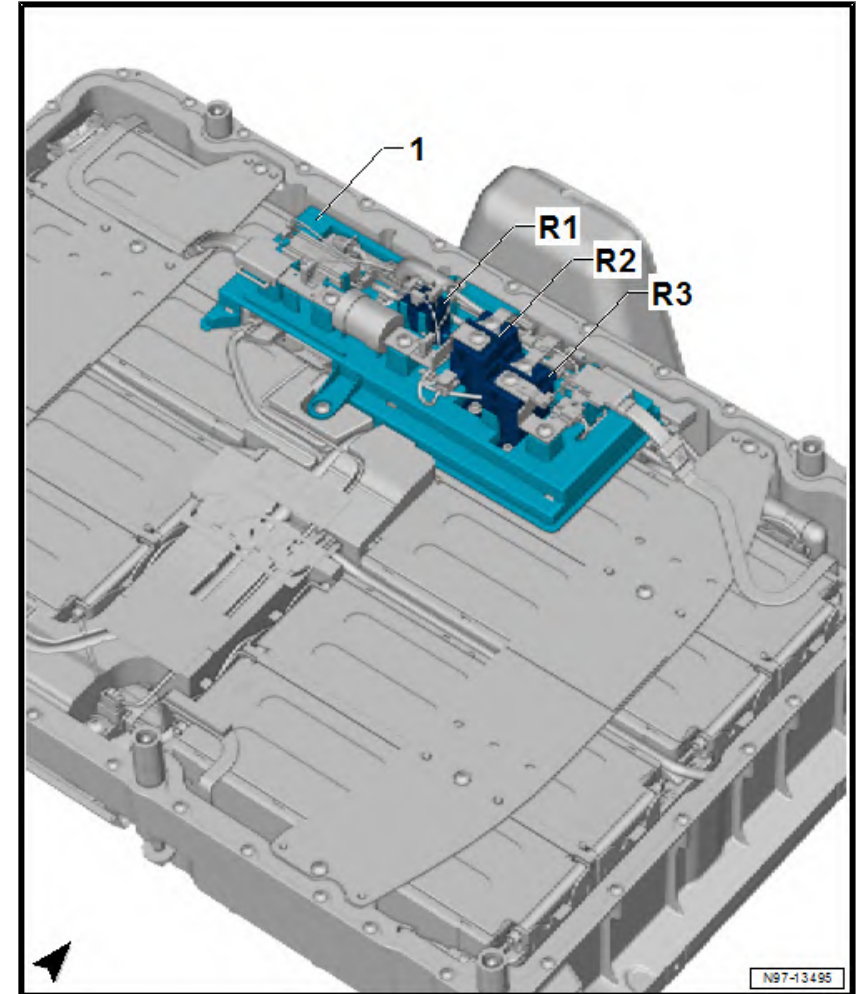
- Only models with hybrid drive system

R2 - High-voltage battery power contactor 1 -J1057-

- Only models with hybrid drive system

R3 - High-voltage battery power contactor 2 -J1058-

- Only models with hybrid drive system



Back to overview ⇒ [page 1](#)

1.4 Relay and fuse carrier 2 -SR2- , under dash panel on left

1.4.1 Fitting location and relay assignment of relay and fuse carrier 2 -SR2- , left-hand drive models, from September 2014

1 - Relay and fuse carrier 2 -SR2- , under dash panel on left

R1 - Relay for reducing agent metering system -J963-

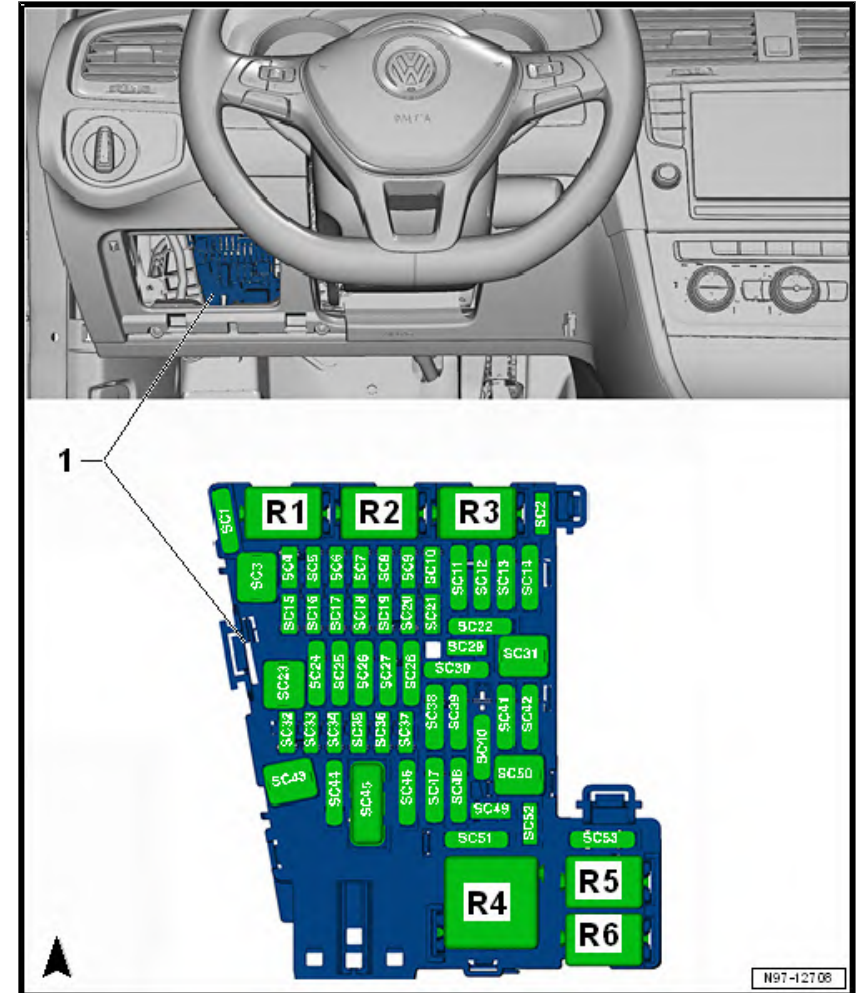
R2 - Magnetic clutch relay -J44-

R3 - not assigned

R4 - Terminal 15 voltage supply relay -J329-

R5 - Heated rear window relay -J9-

R6 - Relay for power sockets -J807-



Volkswagen Technical Site: <http://vwts.ru> <http://vwts.info>



Back to overview ⇒ [page 1](#)

1.4.2 Fitting location and relay assignment of relay and fuse carrier 2 -SR2- , right-hand drive models, from September 2014

1 - Relay and fuse carrier 2 -SR2- , under dash panel on left

R1 - Relay for reducing agent metering system -J963-

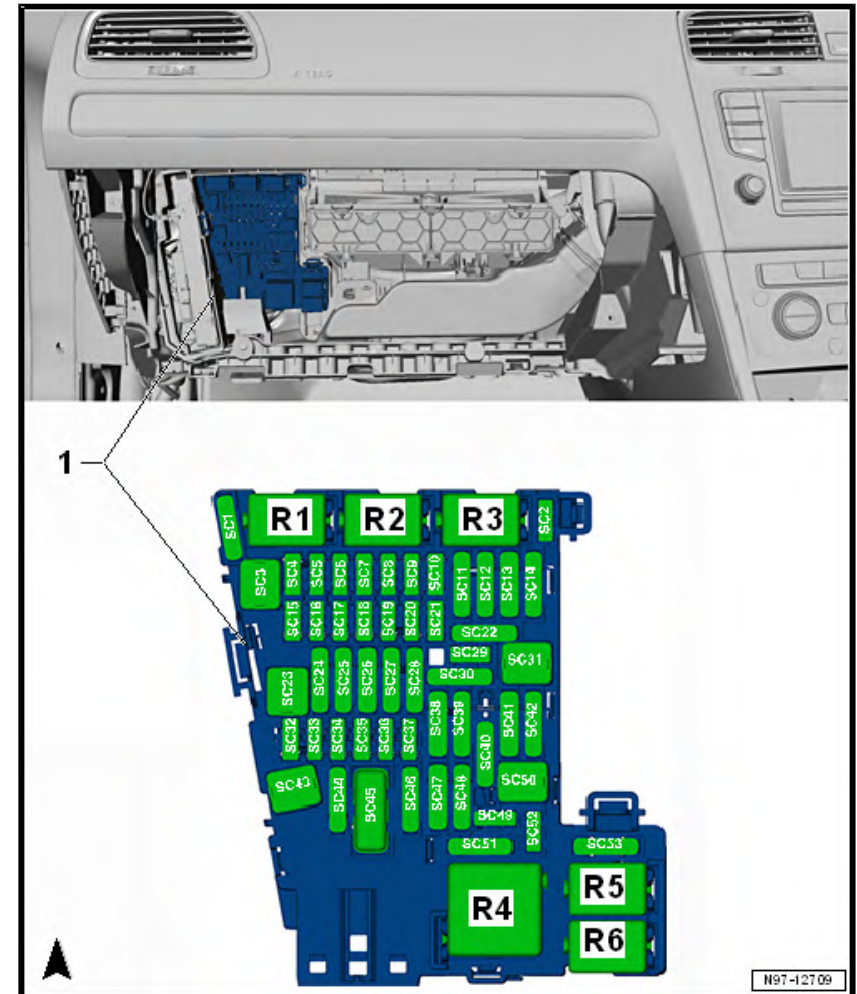
R2 - Magnetic clutch relay -J44-

R3 - not assigned

R4 - Terminal 15 voltage supply relay -J329-

R5 - Heated rear window relay -J9-

R6 - Relay for power sockets -J807-





Back to overview ⇒ [page 1](#)

1.5 Relay and fuse carrier 1 -SR1- , in E-box in engine compartment

1.5.1 Fitting location and relay assignment of relay and fuse carrier 1 -SR1- , on E-box, PR number 4GW, 4GF, from September 2014

1 - Relay and fuse carrier 1 -SR1- , in E-box in engine compartment

R1 - Starter relay 1 -J906-

R2 - Starter relay 2 -J907-

R3 - Horn relay -J413-

R4 - High heat output relay -J360-

- Only models with auxiliary air heater

R5 - Main relay -J271-

- Only models with petrol engine

R5 - Terminal 30 voltage supply relay -J317-

- Only models with diesel engine

R6 - Automatic glow period control unit -J179-

- Only models with diesel engine

R6 - Coolant shortage indicator control unit -J120-

- Only models with hybrid drive system

R7 - Low heat output relay -J359-

- Only models with auxiliary air heater

R8 - Air conditioning system relay -J32-

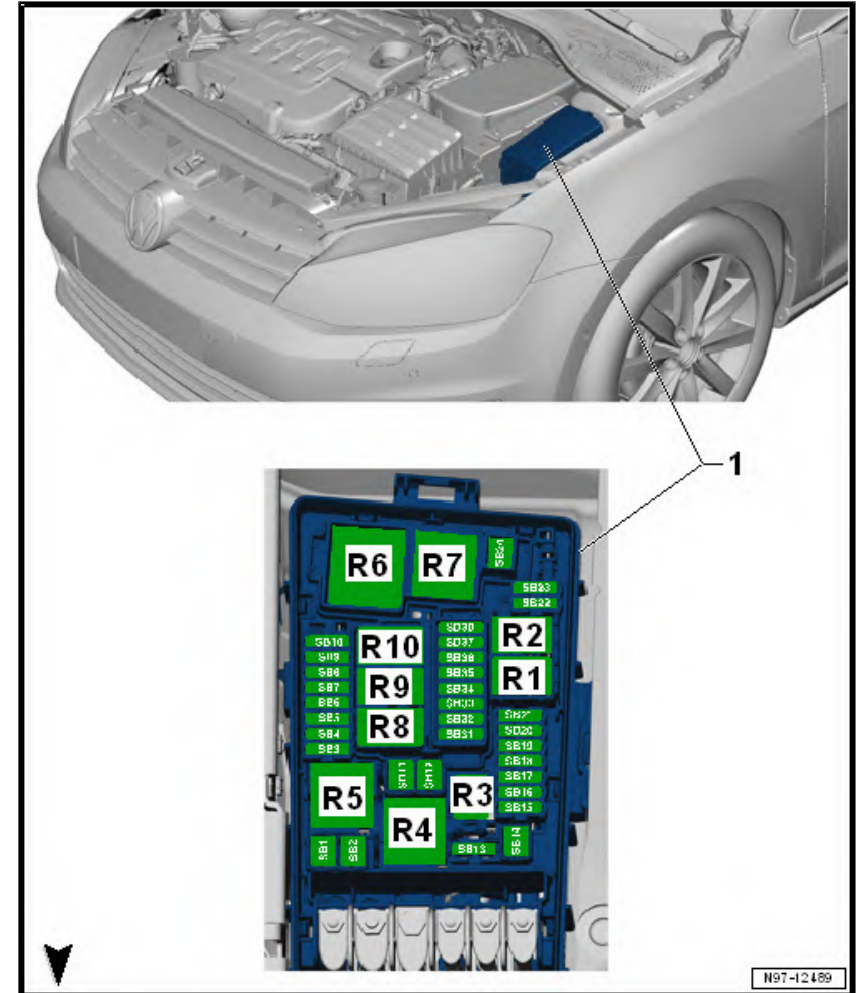
- Only models with hybrid drive system

R9 - Heated windscreen relay -J47-

- Only models with heated windscreen
- According to equipment

R10 - Heated windscreen relay 2 -J611-

- Only models with heated windscreen
- According to equipment



[Back to overview ⇒ page 1](#)

**1.5.2 Fitting location and relay assignment of relay and fuse carrier 1 -SR1- , on E-box, PR number 4GX, from September 2014**

**1 - Relay and fuse carrier 1 -SR1- , in E-box in engine compartment**

**R1 - Starter relay 1 -J906-**

**R2 - Starter relay 2 -J907-**

**R3 - Horn relay -J413-**

**R4 - High heat output relay -J360-**

- Only models with auxiliary air heater

**R5 - Main relay -J271-**

- Only models with petrol engine

**R5 - Terminal 30 voltage supply relay -J317-**

- Only models with diesel engine

**R6 - Automatic glow period control unit -J179-**

- Only models with diesel engine

**R6 - Coolant shortage indicator control unit -J120-**

- Only models with hybrid drive system

**R7 - Low heat output relay -J359-**

- Only models with auxiliary air heater

**R8 - Engine component current supply relay -J757-**

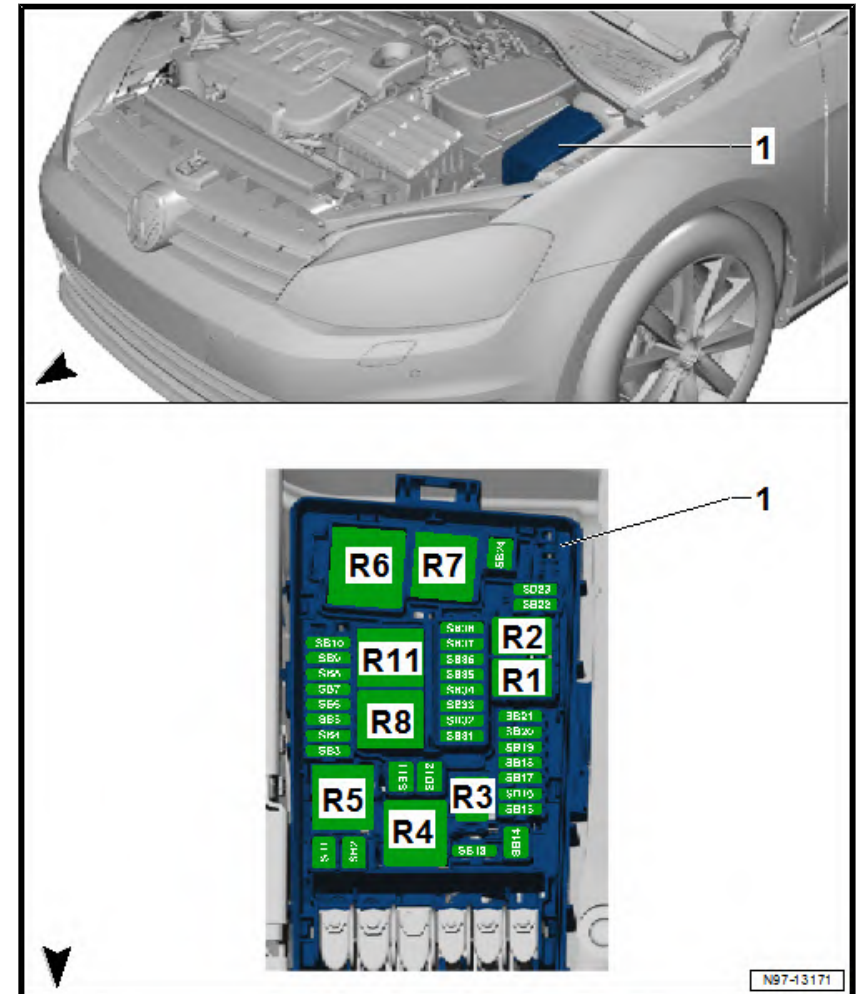
- Only models with a 1.8–2.0l petrol engine

**R8 - Air conditioning system relay -J32-**

- Only models with hybrid drive system

**R11 - Heated windscreen relay -J47-**

- Only models with heated windscreen
- According to equipment



[Back to overview ⇒ page 1](#)

1 Control units in front part of vehicle

1.1 Overview of control units



Note

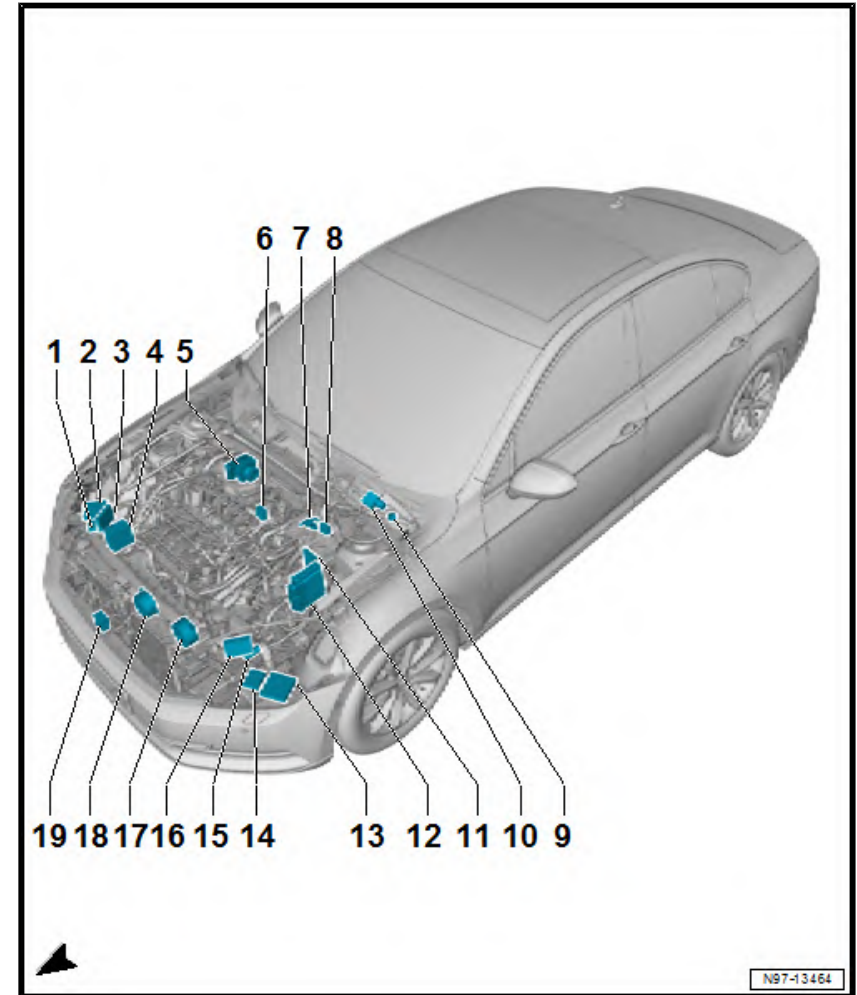
*The fitting locations are identical on saloon and estate models.*

- 1 - Output module for right headlight -J668-
  - Fitting location ⇒ [page 4](#)
- 2 - Output module 1 for right LED headlight -A27-
  - Fitting location ⇒ [page 6](#)
- 3 - Control unit for right daytime running light and side light -J861-
  - Fitting location ⇒ [page 7](#)
- 4 - Auxiliary heater control unit -J364-
  - Fitting location ⇒ [page 9](#)
  - Connector assignment ⇒ [page 10](#)
- 5 - ABS control unit -J104-
  - Fitting location, left-hand drive models ⇒ [page 10](#)
  - Connector assignment, left-hand drive ⇒ [page 11](#)
  - Fitting location, right-hand drive models ⇒ [page 12](#)
  - Connector assignment, right-hand drive ⇒ [page 13](#)
- 6 - Turbocharger 1 control unit -J724-
  - Fitting location ⇒ [page 16](#)
  - Connector assignment ⇒ [page 17](#)
- 7 - Battery monitor control unit -J367-
  - Fitting location, only models with battery at front ⇒ [page 22](#)
  - Connector assignment ⇒ [page 23](#)
  - Fitting location, only models with battery at rear

 **Note**

*See chapter on control units in rear part of vehicle*

- 8 - Power steering control unit -J500-
  - Fitting location ⇒ [page 14](#)
  - Connector assignment ⇒ [page 15](#)
- 9 - Exhaust flap control unit -J883-
  - Fitting location ⇒ [page 17](#)
  - Connector assignment ⇒ [page 18](#)
- 10 - Wiper motor control unit -J400-
  - Fitting location, left-hand drive models ⇒ [page 19](#)
  - Connector assignment, left-hand drive ⇒ [page 20](#)



- Fitting location, right-hand drive models ⇒ [page 21](#)
- Connector assignment, right-hand drive ⇒ [page 22](#)

**11 - not assigned****12 - Engine/motor control unit -J623-**

- Fitting location of 60-pin connector -T60- / 94-pin connector -T94- ⇒ [page 24](#)
- Fitting location of 91-pin connector -T91- / 105-pin connector -T105- ⇒ [page 25](#)

**13 - Output module 1 for left LED headlight -A31-**

- Fitting location ⇒ [page 27](#)

**14 - Output module for left headlight -J667-**

- Fitting location ⇒ [page 26](#)

**15 - Mechatronic unit for dual clutch gearbox -J743-**

- Fitting location with 16-pin connector -T16m- ⇒ [page 31](#)
- Connector assignment with 16-pin connector -T16m- ⇒ [page 32](#)
- Fitting location with 20-pin connector -T20g- ⇒ [page 32](#)
- Connector assignment with 20-pin connector -T20- ⇒ [page 33](#)
- Fitting location with 25-pin connector -T25- ⇒ [page 34](#)
- Connector assignment with 25-pin connector -T25- ⇒ [page 35](#)

**16 - Control unit for left daytime running light and side light -J860-**

- Fitting location ⇒ [page 29](#)

**17 - Radiator fan -VX57-**

- Radiator fan control unit -J293-
- Fitting location with 4-pin connector -T4gl- ⇒ [page 36](#)
- Connector assignment with 4-pin connector -T4gl- ⇒ [page 37](#)

**18 - Radiator fan -VX57-**

- Radiator fan control unit 2 -J671-
- Fitting location with 4-pin connector -T4gl- ⇒ [page 38](#)
- Connector assignment with 4-pin connector -T4gl- ⇒ [page 39](#)

**19 - Adaptive cruise control unit -J428-**

- Fitting location ⇒ [page 39](#)
- Connector assignment ⇒ [page 40](#)

## 1.2 Overview of additional control units, for vehicles with hybrid drive system

### 1 - Three-phase current drive -VX54-

- Fitting location ⇒ [page 41](#)
- Connector assignment ⇒ [page 42](#)

### 2 - Brake servo -NX6-

- Fitting location ⇒ [page 45](#)
- Connector assignment ⇒ [page 46](#)

### 3 - High-voltage heater (PTC) control unit -J848-

- Fitting location ⇒ [page 43](#)
- Connector assignment ⇒ [page 44](#)

### 4 - Brake system pressure accumulator -VX70-

- Fitting location ⇒ [page 47](#)
- Connector assignment ⇒ [page 48](#)

### 5 - Power and control electronics for electric drive -JX1-

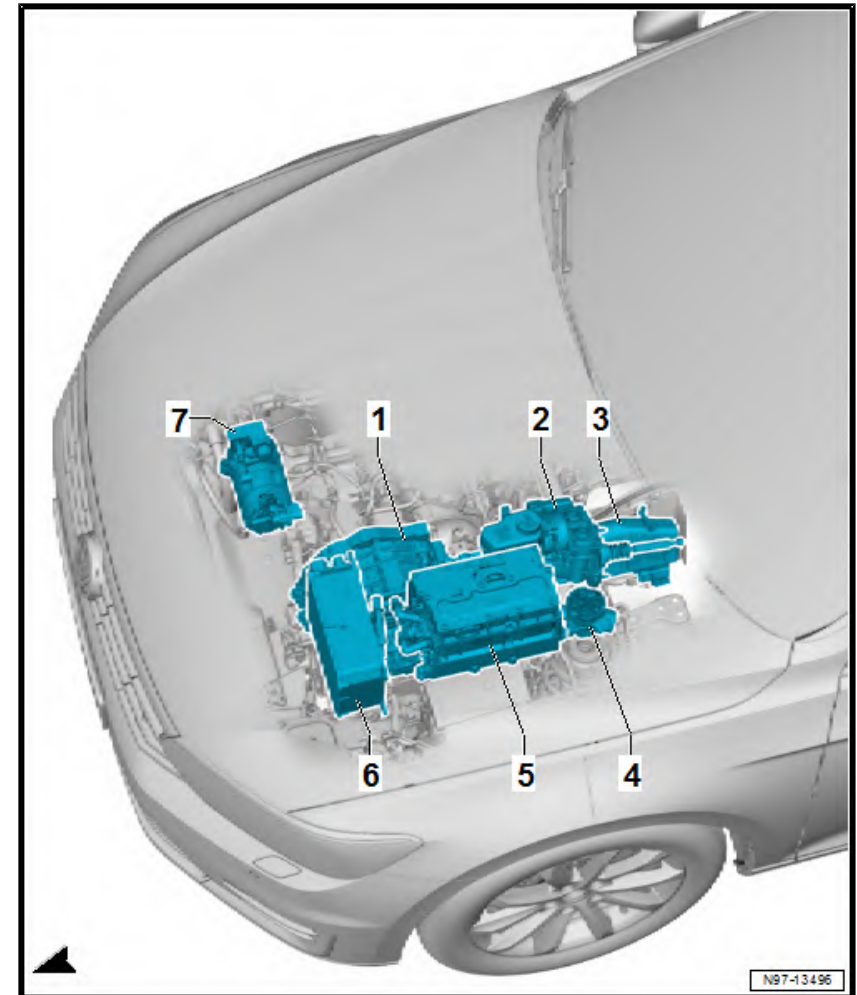
- Electric drive control unit -J841-
- Fitting location ⇒ [page 49](#)
- Connector assignment ⇒ [page 50](#)

### 6 - Charging unit 1 for high-voltage battery -AX4-

- Charge voltage control unit for high-voltage battery -J966-
- Control unit for high-voltage battery charging unit -J1050-
- Fitting location ⇒ [page 50](#)
- Connector assignment ⇒ [page 51](#)

### 7 - Control unit for air conditioning compressor -J842-

- Fitting location ⇒ [page 53](#)
- Connector assignment ⇒ [page 54](#)



## 1.3 Output module for right headlight -J668-

Fitting location:

on right headlight.

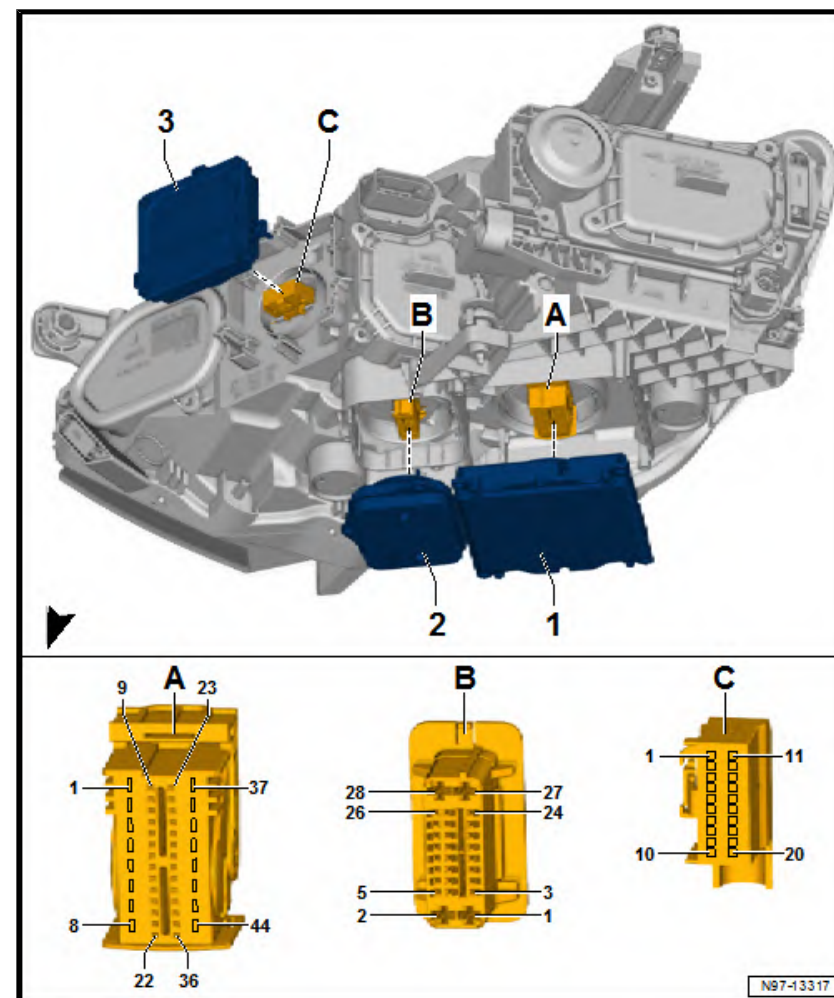


**i** Note

The output module for right headlight -J668- is fitted on the front right headlight -MX2- .

2 - Output module for right headlight -J668-

B - 28-pin connector



Back to overview ⇒ [page 1](#)

## 1.4 Output module 1 for right LED headlight -A27-

Fitting location:

on right headlight.



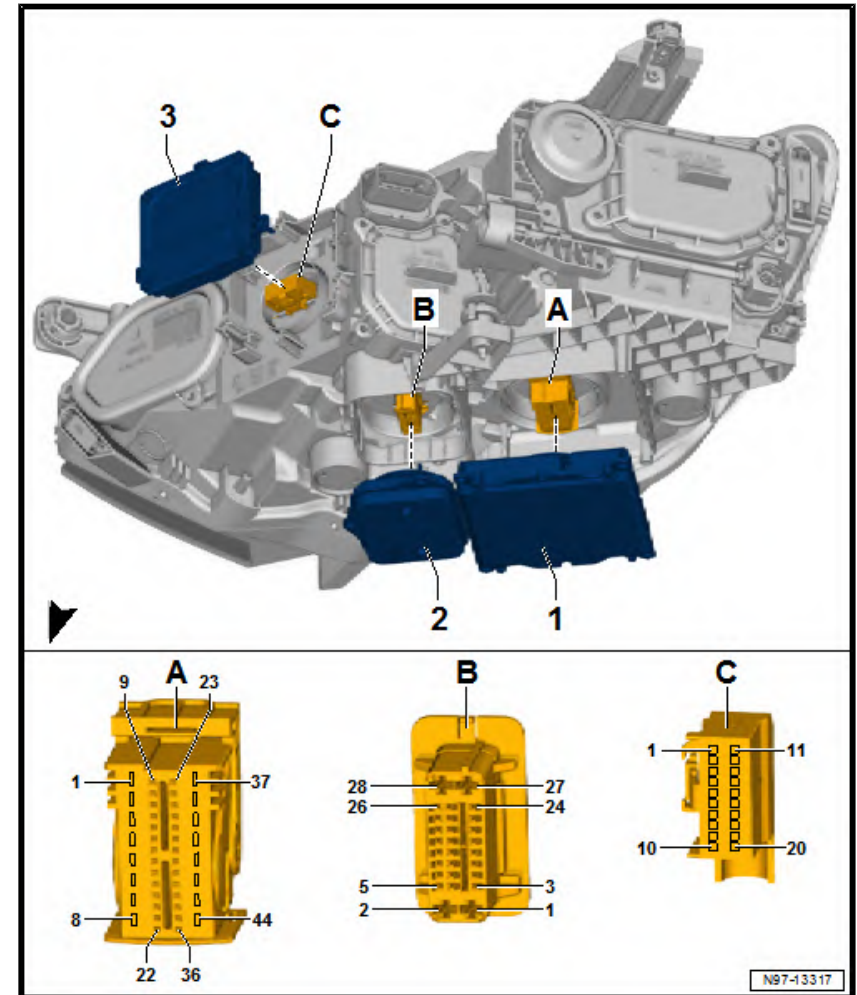
Note

*The output module 1 for right LED headlight -A27- is fitted on the front right headlight -MX2- .*



1 - Output module 1 for right LED headlight -A27-

A - 44-pin connector



[Back to overview ⇒ page 1](#)

1.5 Control unit for right daytime running light and side light -J861-

Fitting location:

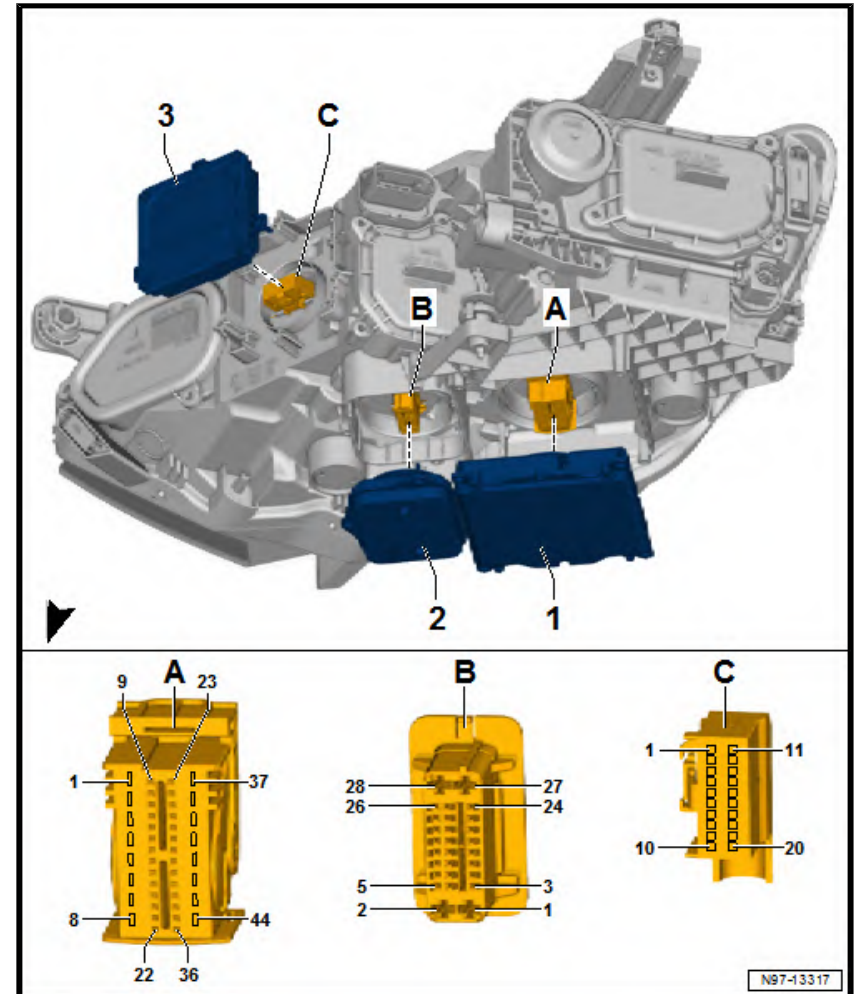
on right headlight.

**i** Note

The control unit for right daytime running light and side light -J861- is fitted on the front right headlight -MX2- .

3 - Control unit for right daytime running light and side light -J861-

C - 20-pin connector



[Back to overview](#) ⇒ [page 1](#)

## 1.6 Auxiliary heater control unit -J364-

Fitting location:

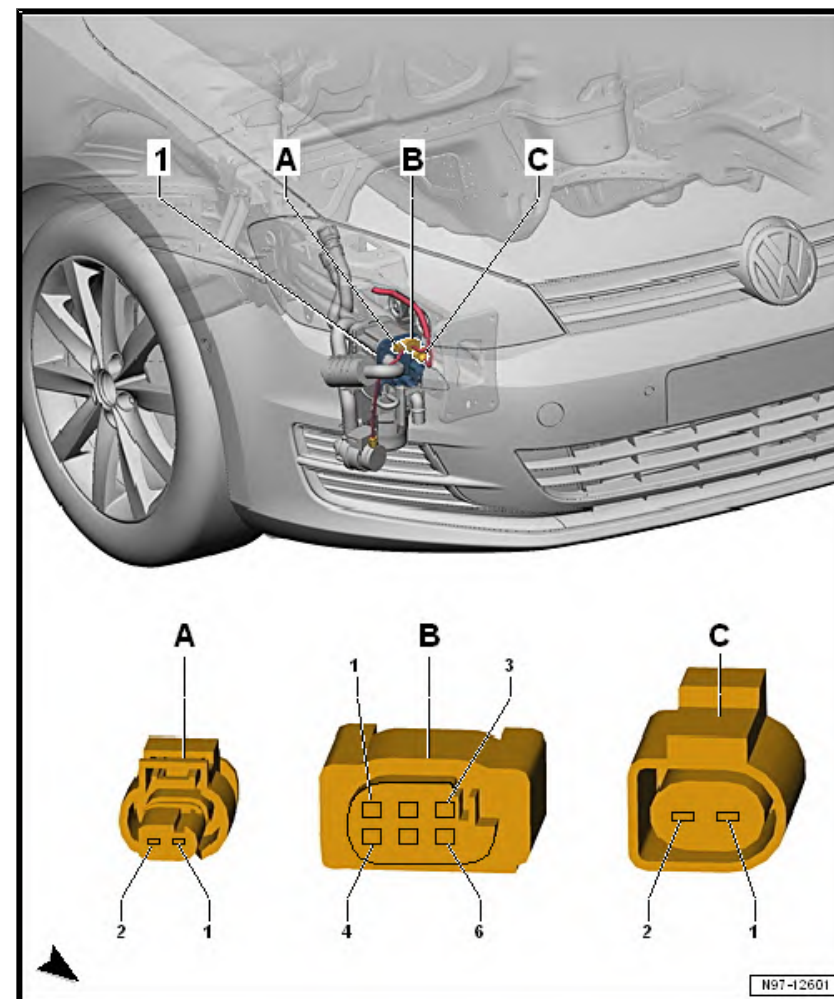
In front right wheel housing.

1 - Auxiliary heater control unit -J364-

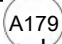
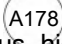
A - 2-pin connector -T2lp-

B - 6-pin connector -T6ba-

C - 2-pin connector -T2qx-



Connector assignment for auxiliary heater control unit -J364-

-T2lp- (A)	Designation		-T6ba- (B)	Designation		-T2qx- (C)	Designation
1	Terminal 30		1			1	Circulation pump -V55-
2	Terminal 31		2	Remote control receiver for auxiliary heater -R64-		2	Circulation pump -V55-
			3	 Connection (Infotainment CAN bus, low), in dash panel wiring harness			
			4				
			5	 Connection (infotainment CAN bus, high), in dash panel wiring harness			
			6	Metering pump -V54-			

Back to overview [⇒ page 1](#)

**1.7 ABS control unit -J104-**

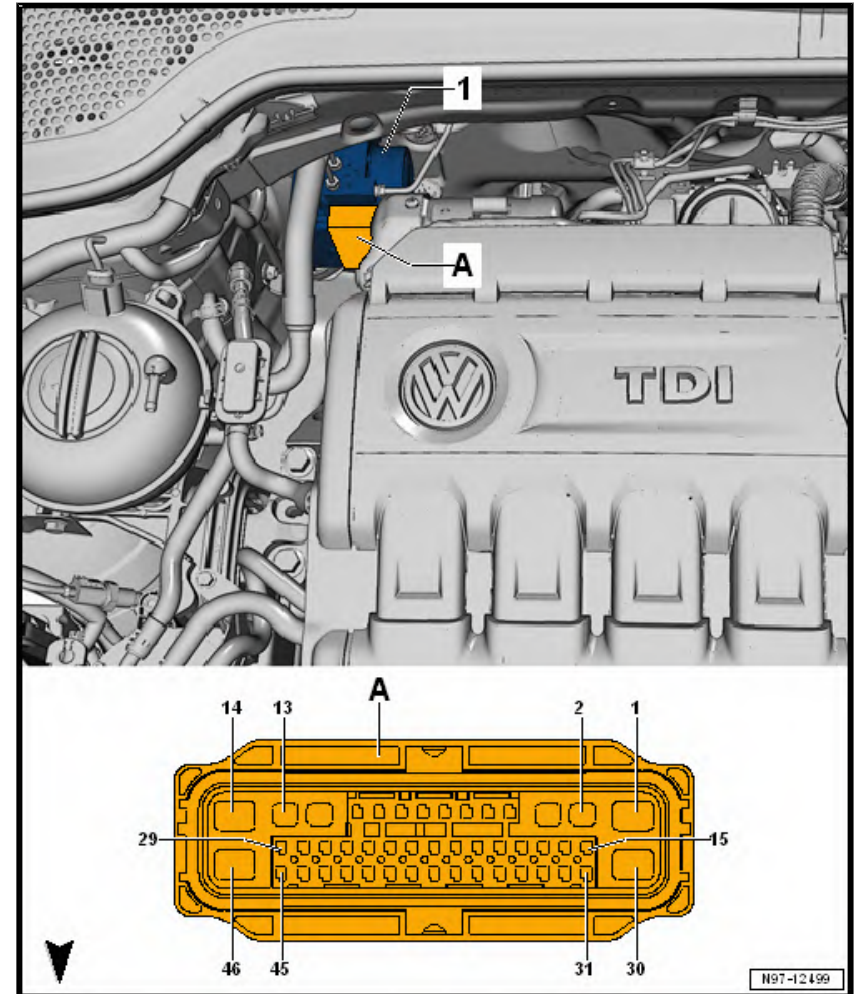
**1.7.1 ABS control unit -J104- , left-hand drive models**

Fitting location:

in engine compartment, right.

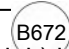
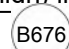
1 - ABS control unit -J104-

A - 46-pin connector -T46-



Connector assignment for ABS control unit -J104-

-T46- (A)	Designation	-T46- (A)	Designation
1	Terminal 30	24	Electromechanical parking brake button -E538-
2	Right parking brake motor -V283-	25	
3	Right parking brake motor -V283-	26	
4	Front right speed sensor -G45-	27	
5	Front right speed sensor -G45-	28	

-T46- (A)	Designation		-T46- (A)	Designation
6	Rear left speed sensor -G46-		29	
7	Rear left speed sensor -G46-		30	Terminal 30
8	Front left speed sensor -G47-		31	Terminal 30
9	Front left speed sensor -G47-		32	Auto-hold warning lamp -K237-
10	Rear right speed sensor -G44-		33	Clutch position sender -G476-
11	Rear right speed sensor -G44-		34	
12	Left parking brake motor -V282-		35	Terminal 15
13	Left parking brake motor -V282-		36	Electromechanical parking brake warning lamp -K213-
14	Terminal 31		37	
15			38	Vacuum sender -G608-
16			39	TCS and ESP button -E256-
17	Electromechanical parking brake button -E538-		40	
18	Electromechanical parking brake button -E538-		41	
19	Electromechanical parking brake button -E538-		42	 Connection 1 (running gear/dash panel insert CAN bus, high) in main wiring harness
20			43	 Connection 1 (running gear/dash panel insert CAN bus, low) in main wiring harness
21			44	Vacuum sender -G608-
22			45	Vacuum sender -G608-
23	Auto-hold button -E540-		46	Terminal 31

Back to overview ⇒ [page 1](#)

### 1.7.2 ABS control unit -J104- , right-hand drive models

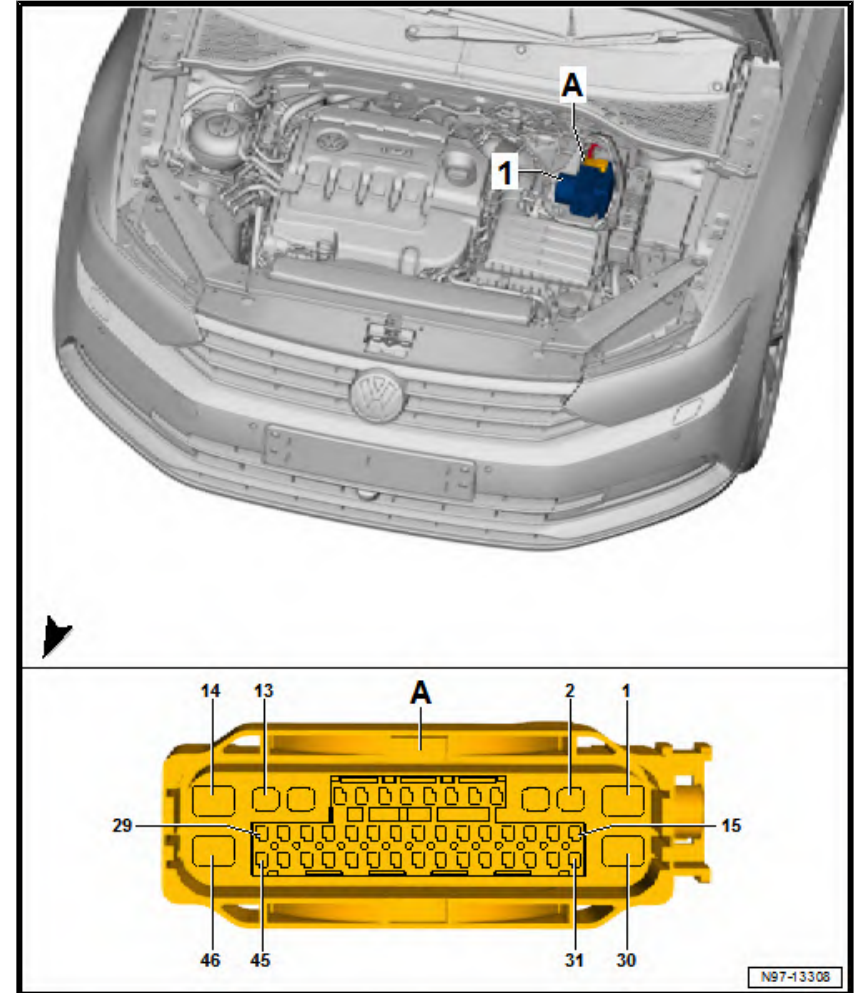
Fitting location:

On left in engine compartment.



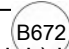
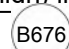
1 - ABS control unit -J104-

A - 46-pin connector -T46-



**Connector assignment for ABS control unit -J104-**

-T46- (A)	Designation	-T46- (A)	Designation
1	Terminal 30	24	Electromechanical parking brake button -E538-
2	Right parking brake motor -V283-	25	
3	Right parking brake motor -V283-	26	
4	Front right speed sensor -G45-	27	
5	Front right speed sensor -G45-	28	

-T46- (A)	Designation		-T46- (A)	Designation
6	Rear left speed sensor -G46-		29	
7	Rear left speed sensor -G46-		30	Terminal 30
8	Front left speed sensor -G47-		31	Terminal 30
9	Front left speed sensor -G47-		32	Auto-hold warning lamp -K237-
10	Rear right speed sensor -G44-		33	Clutch position sender -G476-
11	Rear right speed sensor -G44-		34	
12	Left parking brake motor -V282-		35	Terminal 15
13	Left parking brake motor -V282-		36	Electromechanical parking brake warning lamp -K213-
14	Terminal 31		37	
15			38	Vacuum sender -G608-
16			39	TCS and ESP button -E256-
17	Electromechanical parking brake button -E538-		40	
18	Electromechanical parking brake button -E538-		41	
19	Electromechanical parking brake button -E538-		42	 Connection 1 (running gear/dash panel insert CAN bus, high) in main wiring harness
20			43	 Connection 1 (running gear/dash panel insert CAN bus, low) in main wiring harness
21			44	Vacuum sender -G608-
22			45	Vacuum sender -G608-
23	Auto-hold button -E540-		46	Terminal 31

Back to overview ⇒ [page 1](#)

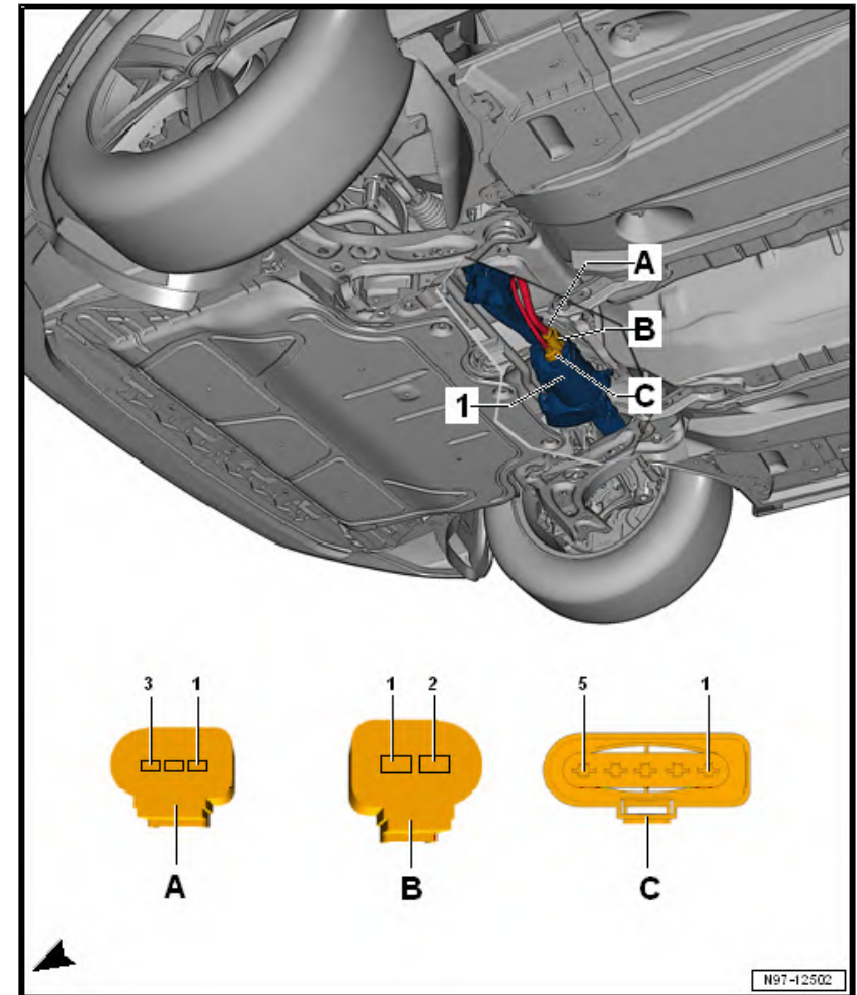
## 1.8 Power steering control unit -J500-

Fitting location:

Steering box



- 1 - Power steering control unit -J500-
- A - 3-pin connector -T3ec-
- B - 2-pin connector -T2nl-
- C - 5-pin connector -T5ce-



Connector assignment for power steering control unit -J500-

-T2nl- (B)	Designation	-T3ec- (A)	Designation
1	Terminal 31	1	(B676) Connection 1 (running gear/dash panel insert CAN bus, low) in main wiring harness
2	Terminal 30	2	(B672) Connection 1 (running gear/dash panel insert CAN bus, high) in main wiring harness
		3	Terminal 15

Back to overview ⇒ [page 1](#)

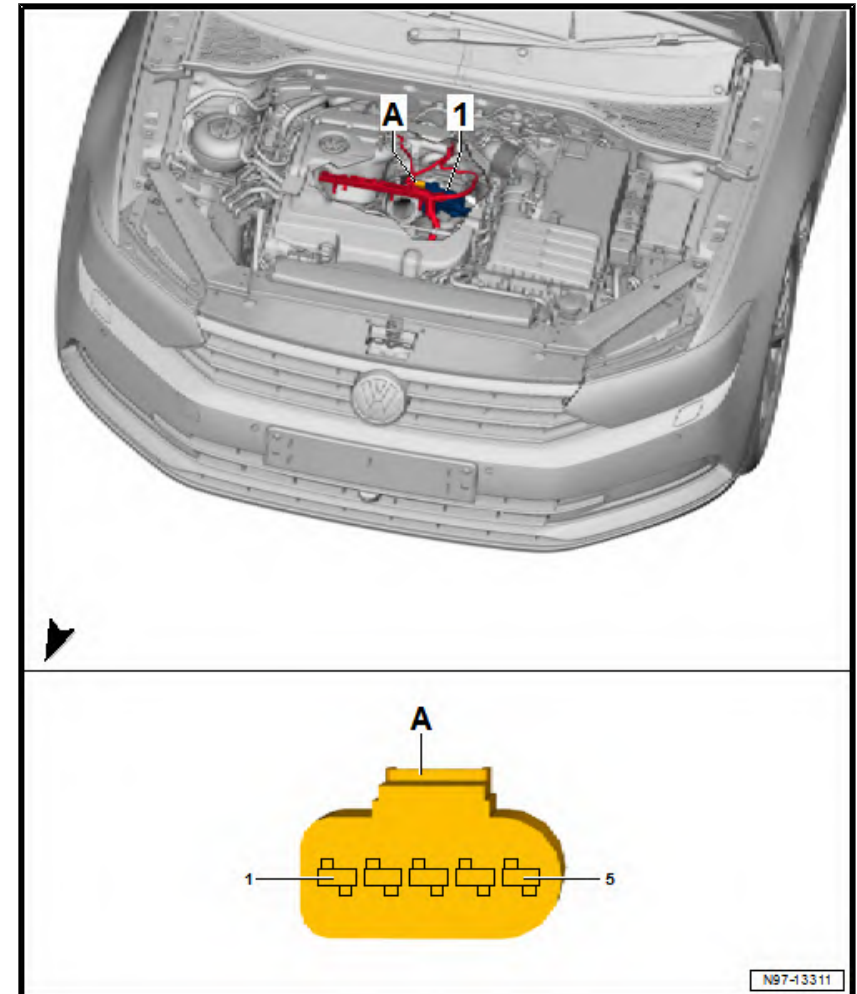
### 1.9 Turbocharger 1 control unit -J724-

Fitting location:

on turbocharger.

1 - Turbocharger 1 control unit -J724-

A - 5-pin connector -T5o-



Connector assignment of turbocharger 1 control unit -J724-

-T5o- (A)	Designation
1	D174 Connection 2 (5V) in engine prewiring wiring harness
2	Engine/motor control unit -J623-
3	Terminal 31
4	Engine/motor control unit -J623-
5	Engine/motor control unit -J623-

Back to overview ⇒ [page 1](#)

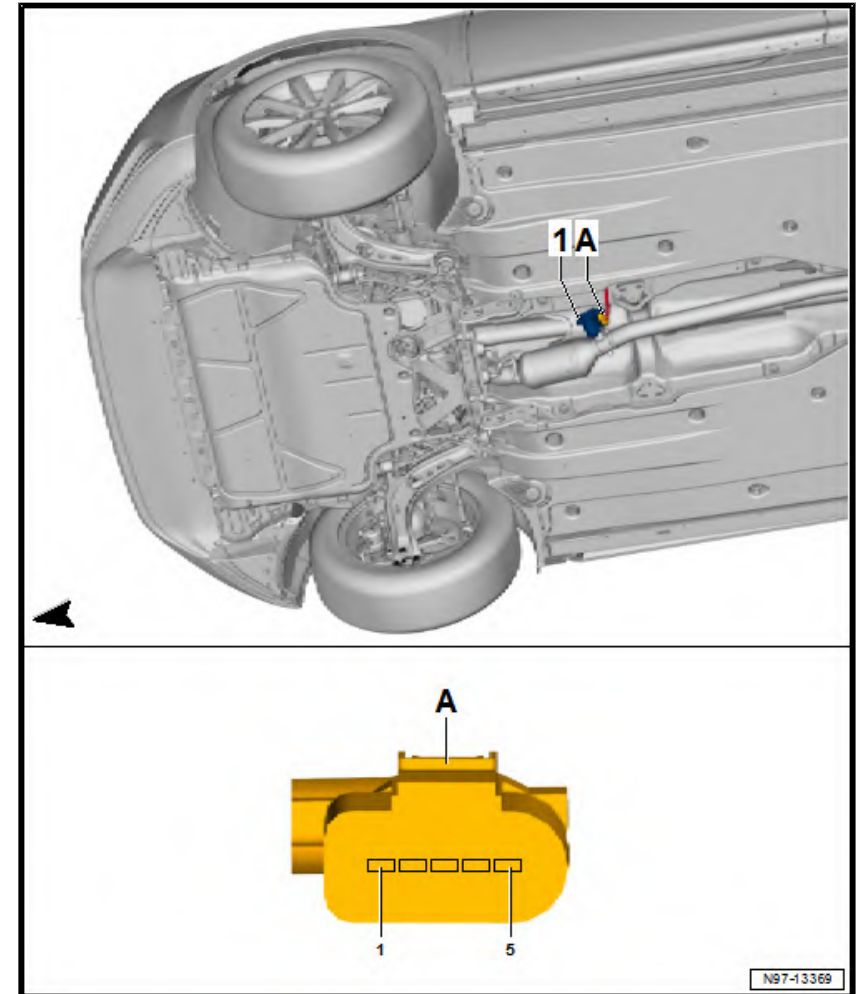
**1.10 Exhaust flap control unit -J883-**

Fitting location:


on turbocharger.

1 - Exhaust flap control unit -J883-

A - 5-pin connector -T5q-



Connector assignment for exhaust flap control unit -J883-

-T5q- (A)	Designation
1	 Connection 1 (5V), in main wiring harness
2	Engine/motor control unit -J623-
3	Terminal 31
4	Engine/motor control unit -J623-

-T5q- (A)	Designation
5	Engine/motor control unit -J623-

Back to overview ⇒ [page 1](#)

## 1.11 Wiper motor control unit -J400-

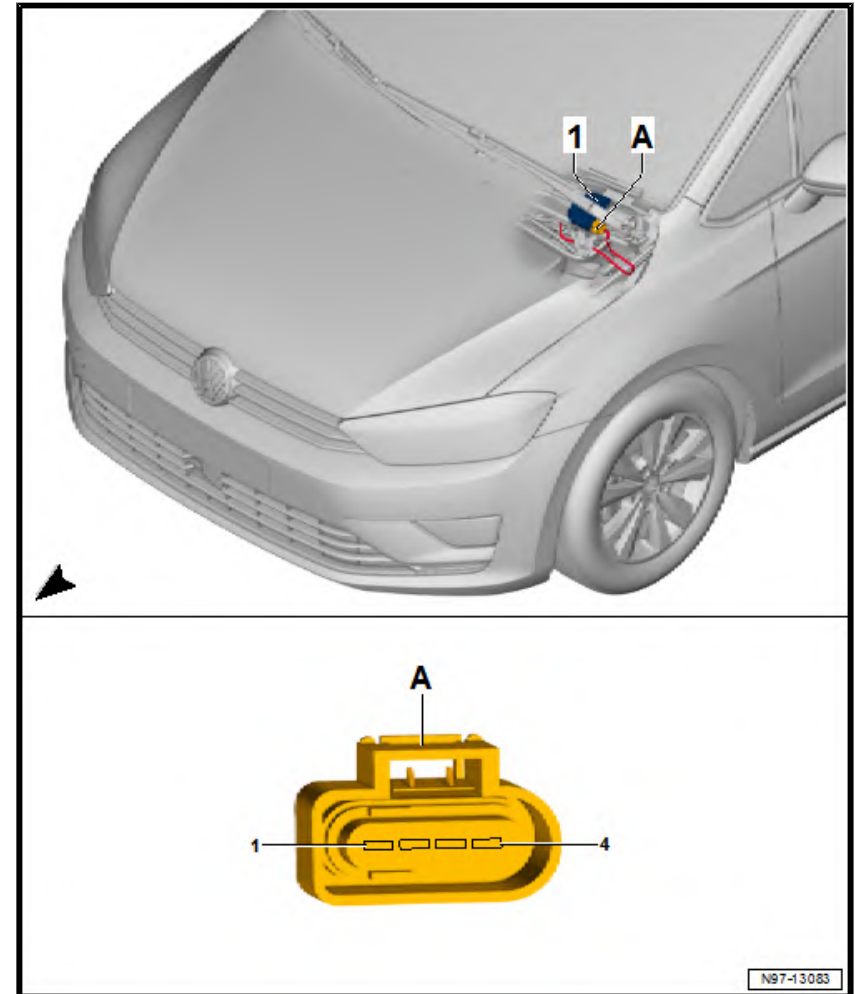
### 1.11.1 Wiper motor control unit -J400- , left-hand drive models

**Fitting location:**

In driver side plenum chamber.

1 - Wiper motor control unit -J400-

A - 4-pin connector -T4gu-



Connector assignment for wiper motor control unit -J400-

-T4gu- (A)	Designation
1	LIN bus
2	
3	Terminal 31
4	Terminal 30

Back to overview ⇒ [page 1](#)

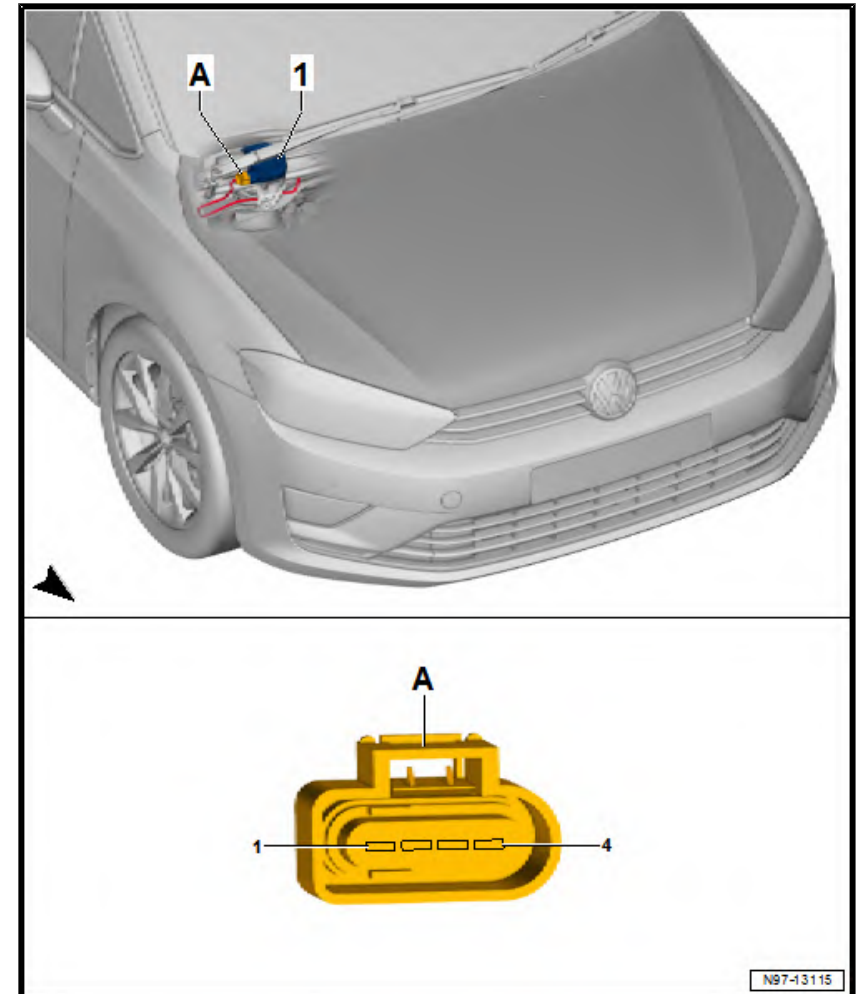
### 1.11.2 Wiper motor control unit -J400- , right-hand drive models

Fitting location:

In driver side plenum chamber.

1 - Wiper motor control unit -J400-

A - 4-pin connector -T4gu-



Connector assignment for wiper motor control unit -J400-

-T4gu- (A)	Designation
1	Terminal 30
2	Terminal 31
3	
4	LIN bus

Back to overview ⇒ [page 1](#)

**1.12 Battery monitor control unit -J367-**

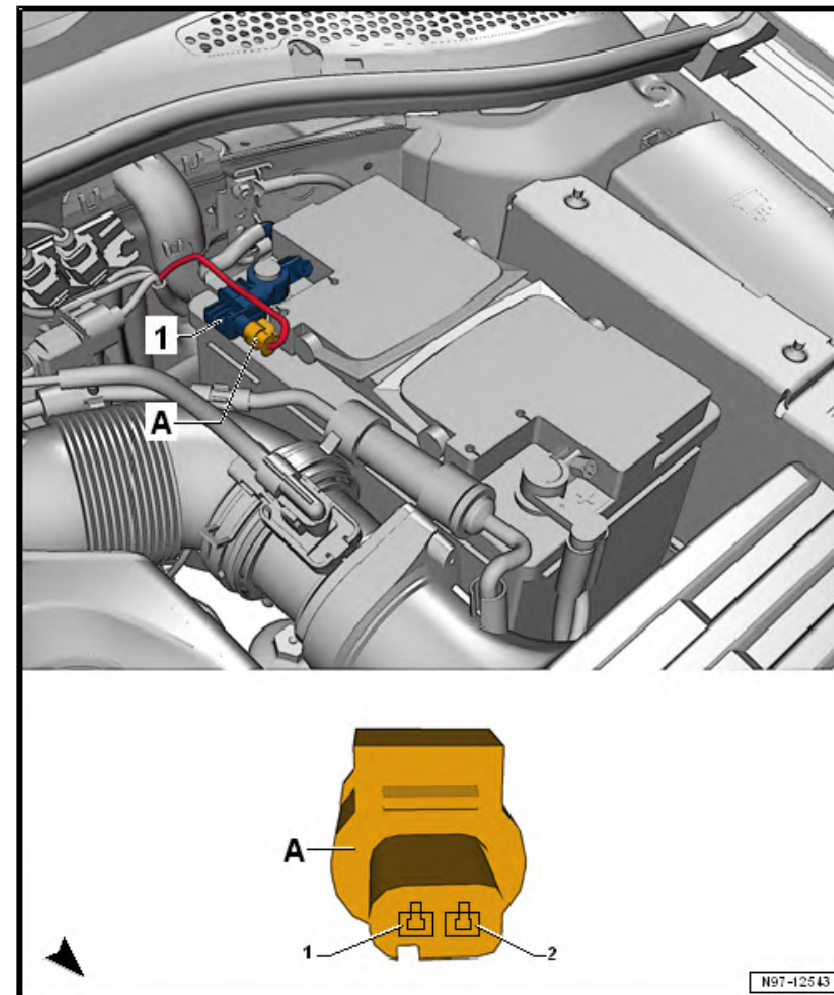
Fitting location:

on the battery.



1 - Battery monitor control unit -J367-

A - 2-pin connector -T2me-



Connector assignment for battery monitor control unit -J367-

-T2me- (A)	Designation
1	LIN bus
2	Terminal 15

Back to overview ⇒ [page 1](#)

1.13 Engine/motor control unit -J623-

1.13.1 Engine/motor control unit -J623- , 60-pin connector -T60- / 94-pin connector -T94-

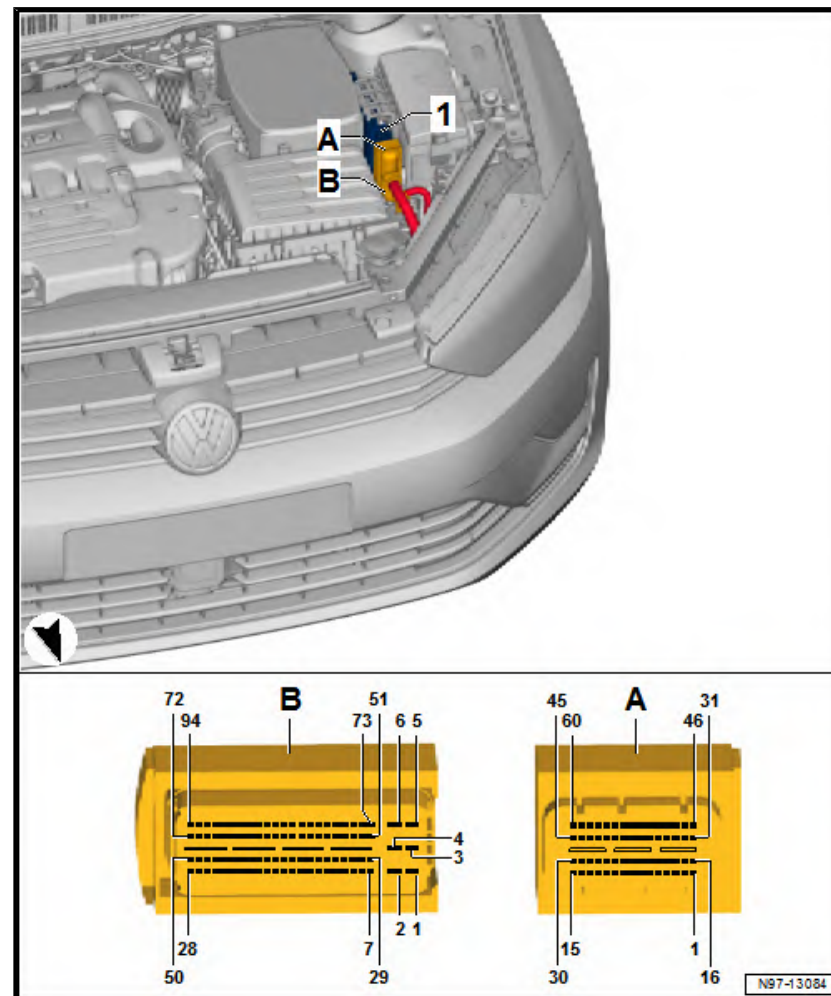
Fitting location:

On left in engine compartment.

1 - Engine/motor control unit -J623-

A - 60-pin connector -T60/T60a/T60b-

B - 94-pin connector -T94/T94a- /



[Back to overview ⇒ page 1](#)

**1.13.2 Engine/motor control unit -J623- , 91-pin connector -T91- / 105-pin connector -T105-**

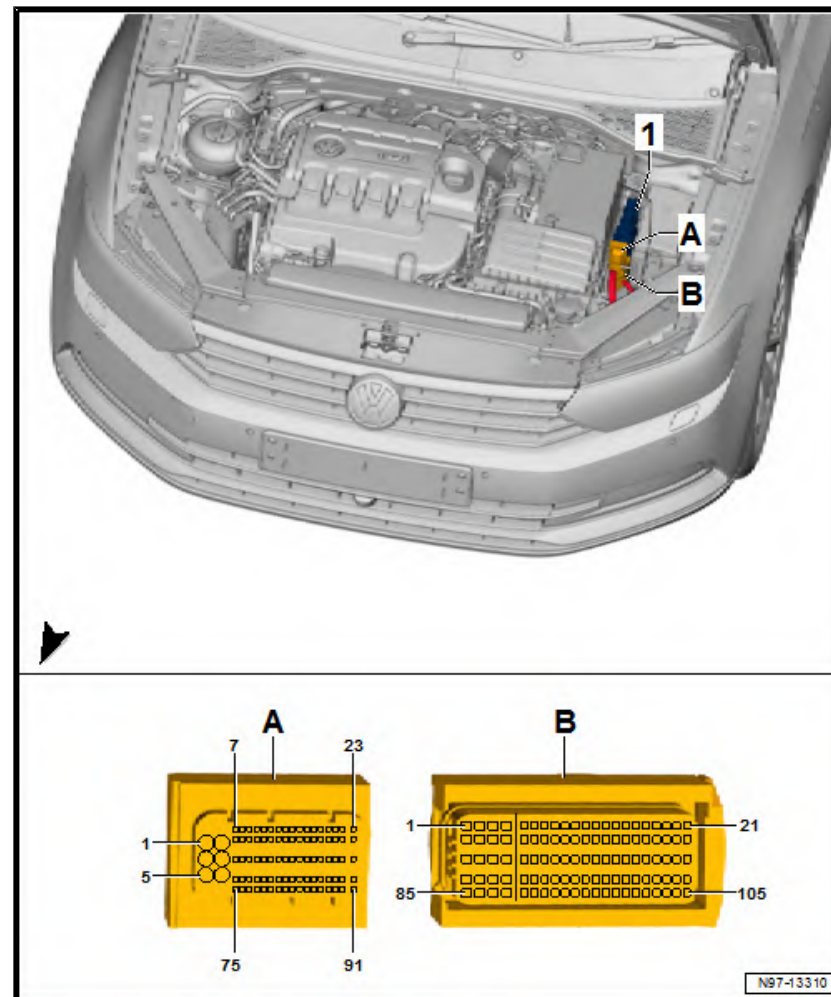
Fitting location:

On left in engine compartment.

1 - Engine/motor control unit -J623-

A - 91-pin connector -T91/T91a-

B - 105-pin connector -T105/T105a/T105b/T105c/T105d/T105e/T105f/T105g-



Back to overview ⇒ [page 1](#)

## 1.14 Output module for left headlight -J667-

Fitting location:

on left headlight.

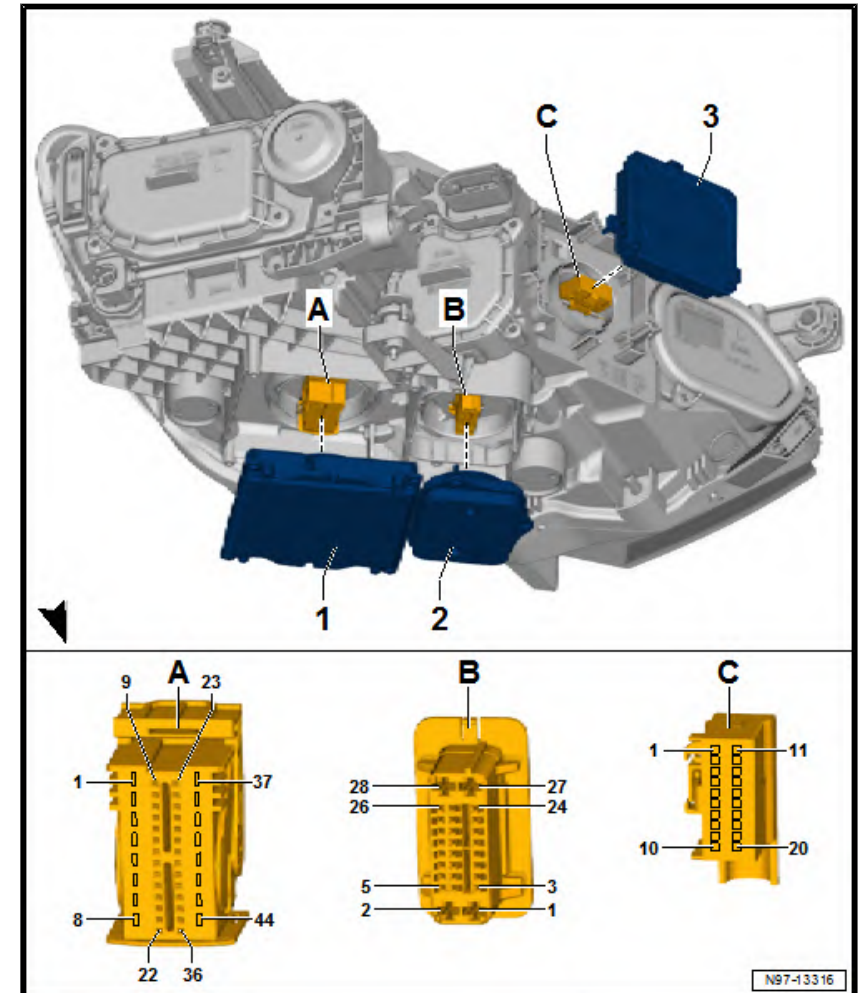


Note

*The output module for left headlight -J667- is fitted on the front left headlight -MX1- .*

2 - Output module for left headlight -J667-

B - 28-pin connector



[Back to overview ⇒ page 1](#)

### 1.15 Output module 1 for left LED headlight -A31-

Fitting location:

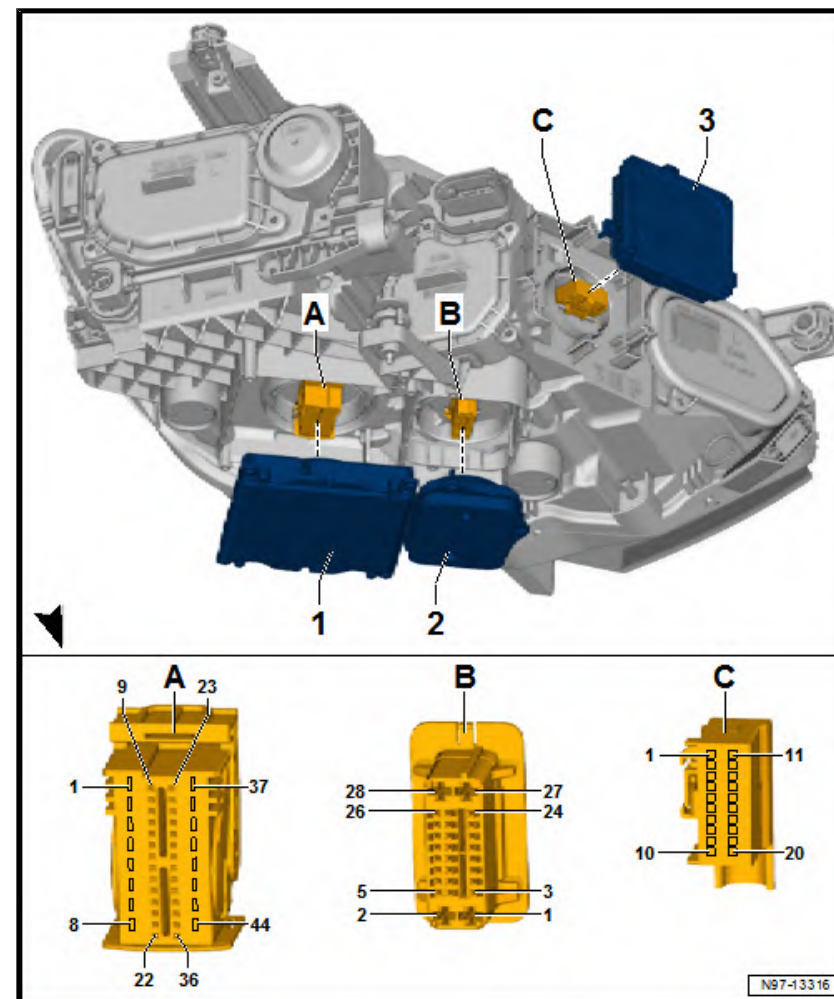
on left headlight.

**i** Note

The output module 1 for left LED headlight -A31- is fitted on the front left headlight -MX1- .

1 - Output module 1 for left LED headlight -A31-

A - 44-pin connector



Back to overview ⇒ [page 1](#)

## 1.16 Control unit for left daytime running light and side light -J860-

Fitting location:

on left headlight.



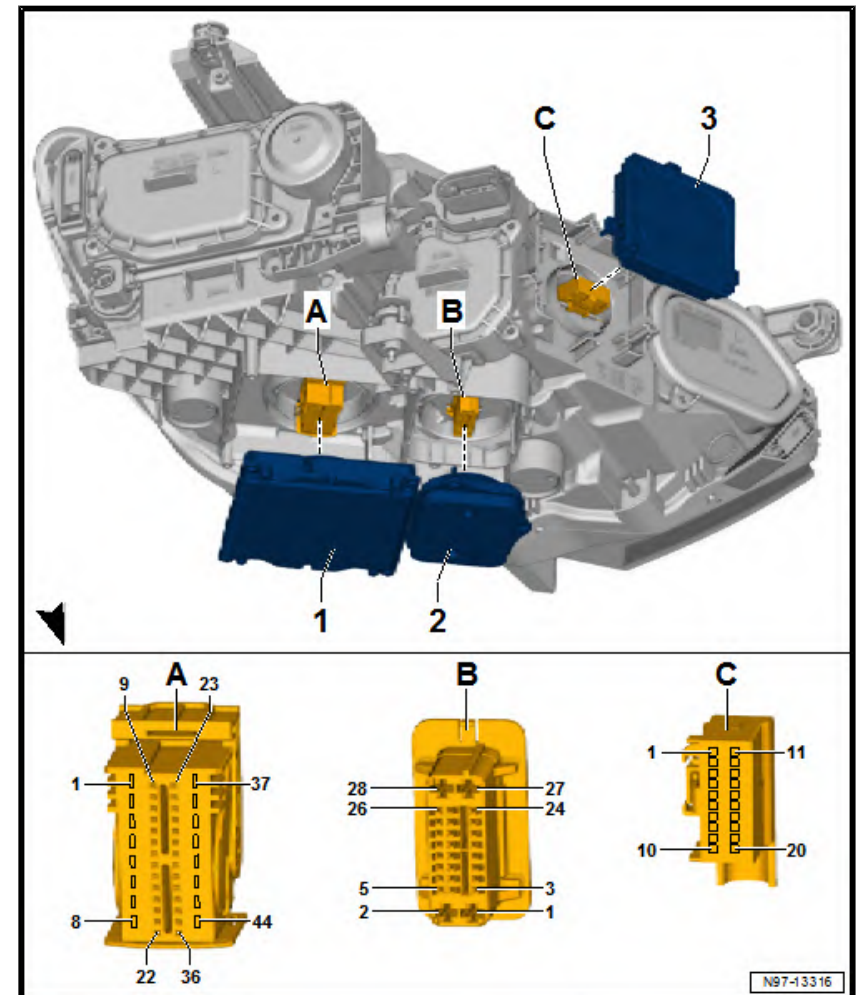
Note

*The control unit for left daytime running light and side light -J860- is fitted on the front left headlight -MX1- .*



3 - Control unit for left daytime running light and side light -J860-

C - 20-pin connector





[Back to overview ⇒ page 1](#)

## 1.17 Mechatronic unit for dual clutch gearbox -J743-

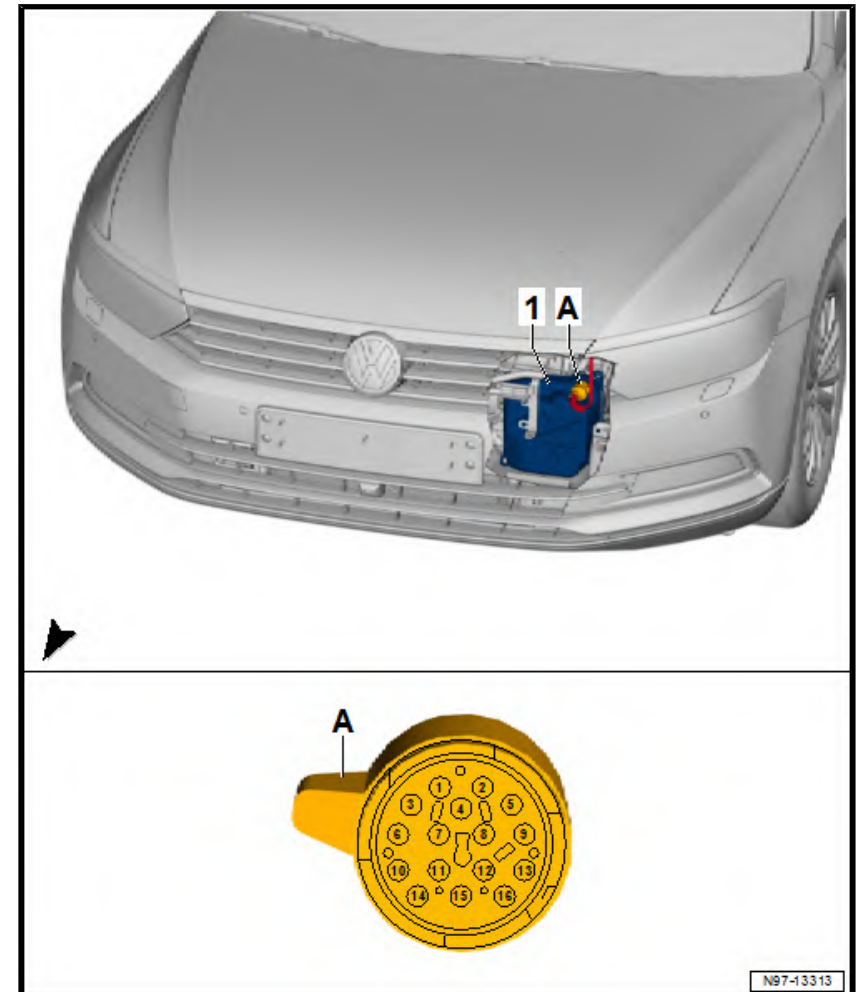
### 1.17.1 Mechatronic unit for dual clutch gearbox -J743- , 16-pin connector -T16m-

Fitting location:

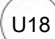
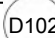
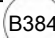
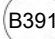
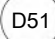
on dual clutch gearbox 0DL.

1 - Mechatronic unit for dual clutch gearbox -J743-

A - 16-pin connector -T16m-



Connector assignment for mechatronic unit for dual clutch gearbox -J743-

-T16m-(A)	Designation	-T16m-(A)	
1		9	 Positive connection (30a), in automatic gearbox wiring harness
2	 Connection 2 in engine compartment wiring harness	10	
3		11	
4	Engine/motor control unit -J623-	12	
5		13	
6	 Connection 2 (powertrain CAN bus, high) in main wiring harness	14	
7	 Connection 2 (powertrain CAN bus, low) in main wiring harness	15	 Positive connection 1 (15) in engine compartment wiring harness
8		16	Terminal 31

Back to overview ⇒ [page 1](#)

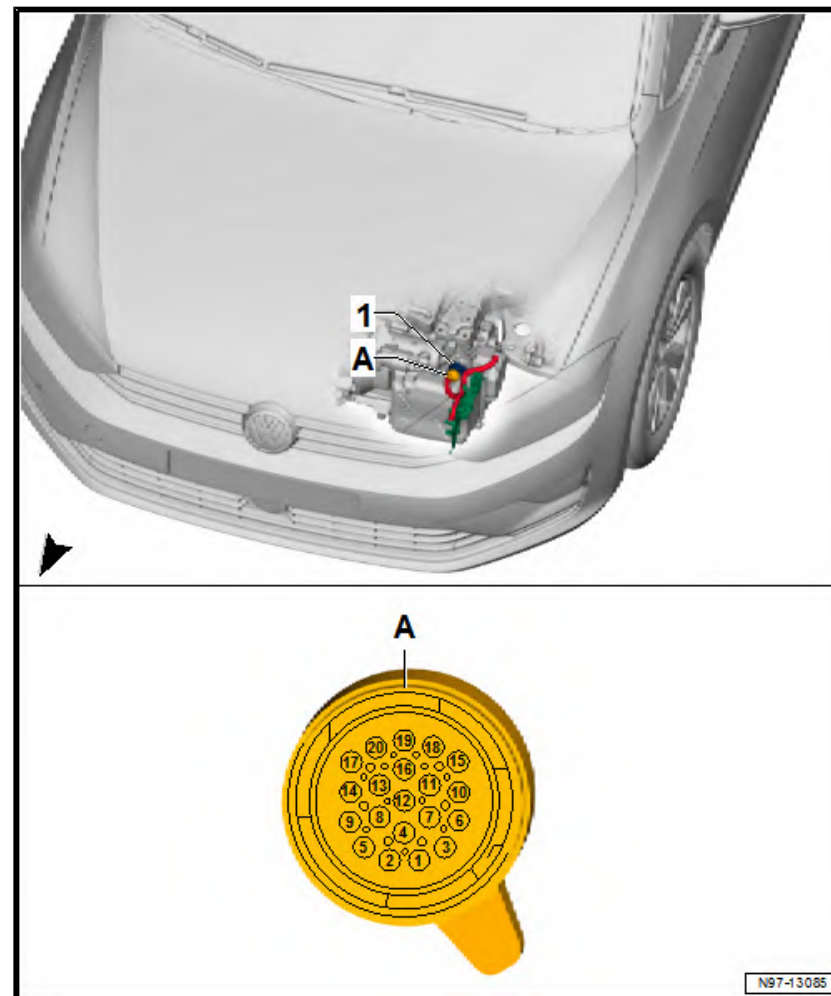
**1.17.2 Mechatronic unit for dual clutch gearbox -J743- , 20-pin connector -T20g-**

**Fitting location:**



on dual clutch gearbox 0D9.


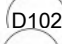
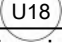
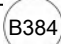
1 - Mechatronic unit for dual clutch gearbox -J743-

A - 20-pin connector -T20g-



Connector assignment for mechatronic unit for dual clutch gearbox -J743-

-T20g-(A)	Designation	-T20g-(A)	
1		11	 Positive connection (30a), in automatic gearbox wiring harness
2		12	
3		13	 Positive connection 1 (15) in engine compartment wiring harness
4		14	

-T20g-(A)	Designation	-T20g-(A)	
5		15	 Connection 2 (powertrain CAN bus, low) in main wiring harness
6		16	Terminal 31
7	Engine/motor control unit -J623-	17	 Connection 2 in engine compartment wiring harness
8		18	 Positive connection (30a), in automatic gearbox wiring harness
9		19	Terminal 31
10	 Connection 2 (powertrain CAN bus, high) in main wiring harness	20	

Back to overview ⇒ [page 1](#)

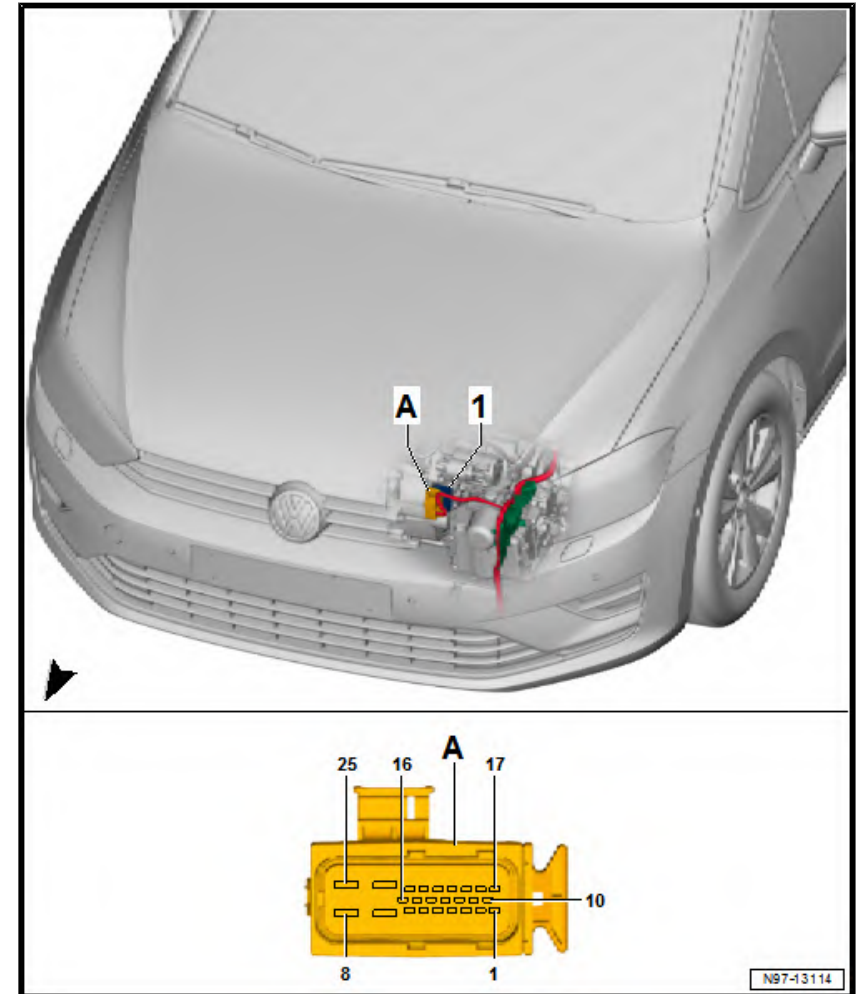
### 1.17.3 Mechatronic unit for dual clutch gearbox -J743- , 25-pin connector -T25-

Fitting location:

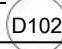
on dual clutch gearbox 0CW.



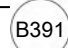

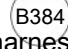
1 - Mechatronic unit for dual clutch gearbox -J743-

A - 25-pin connector -T25-



Connector assignment for mechatronic unit for dual clutch gearbox -J743-

-T25- (A)	Designation	-T25- (A)	
1		14	Engine/motor control unit -J623-
2		15	
3		16	 Connection 2 in engine compartment wiring harness
4		17	
5		18	

-T25- (A)	Designation	-T25- (A)	
6		19	
7		20	
8	Terminal 31	21	
9	 Connection (87) in automatic gearbox wiring harness	22	
10	 Positive connection 1 (15) in engine compartment wiring harness	23	
11		24	Terminal 31
12	 Connection 2 (powertrain CAN bus, low) in main wiring harness	25	 Connection (87) in automatic gearbox wiring harness
13	 Connection 2 (powertrain CAN bus, high) in main wiring harness		

Back to overview ⇒ [page 1](#)

## 1.18 Radiator fan -VX57-

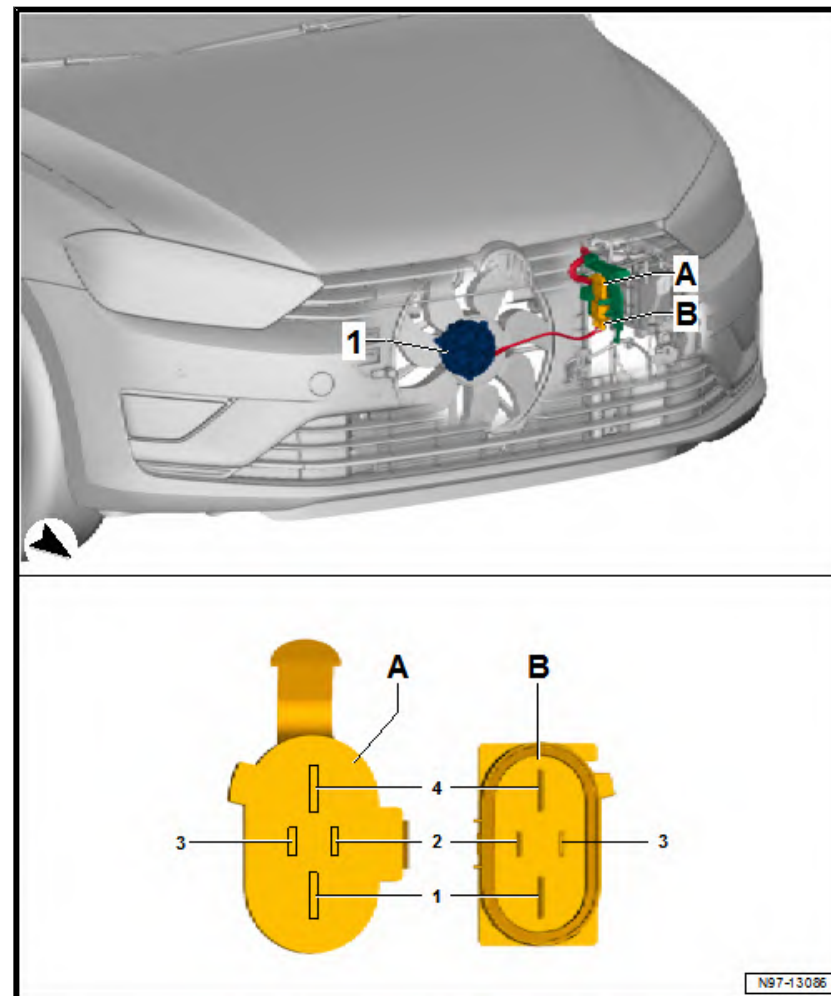
### 1.18.1 Radiator fan control unit -J293- , 4-pin connector -T4gl-

Fitting location:

in engine compartment, front left.

1 - Radiator fan control unit -J293-

A - 4-pin connector -T4gl-



Connector assignment for radiator fan control unit -J293-

-T4gl- (A)	Designation
1	Terminal 30
2	D182 Connection 3 (87a), in engine compartment wiring harness
3	D128 Connection 26 in engine compartment wiring harness
4	Terminal 31

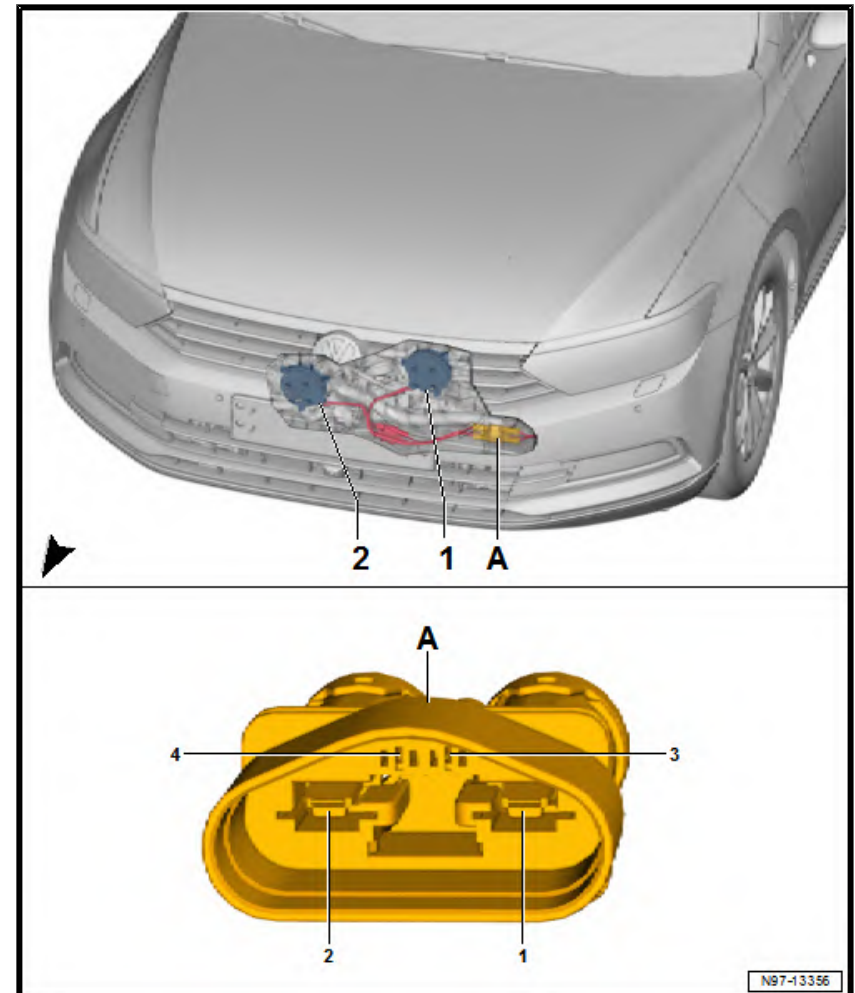
Back to overview ⇒ [page 1](#)

1.18.2 Radiator fan control unit -J293- , radiator fan control unit 2 -J671- , 4-pin connector -T4gl-

Fitting location:

in engine compartment, front left.

- 1 - Radiator fan control unit -J293-
- 2 - Radiator fan control unit 2 -J671-
- A - 4-pin connector -T4gl-





Connector assignment for radiator fan control unit -J293-

-T4gl- (A)	Designation
1	Terminal 30
2	D182 Connection 3 (87a), in engine compartment wiring harness
3	D128 Connection 26 in engine compartment wiring harness
4	Terminal 31

Back to overview ⇒ [page 1](#)

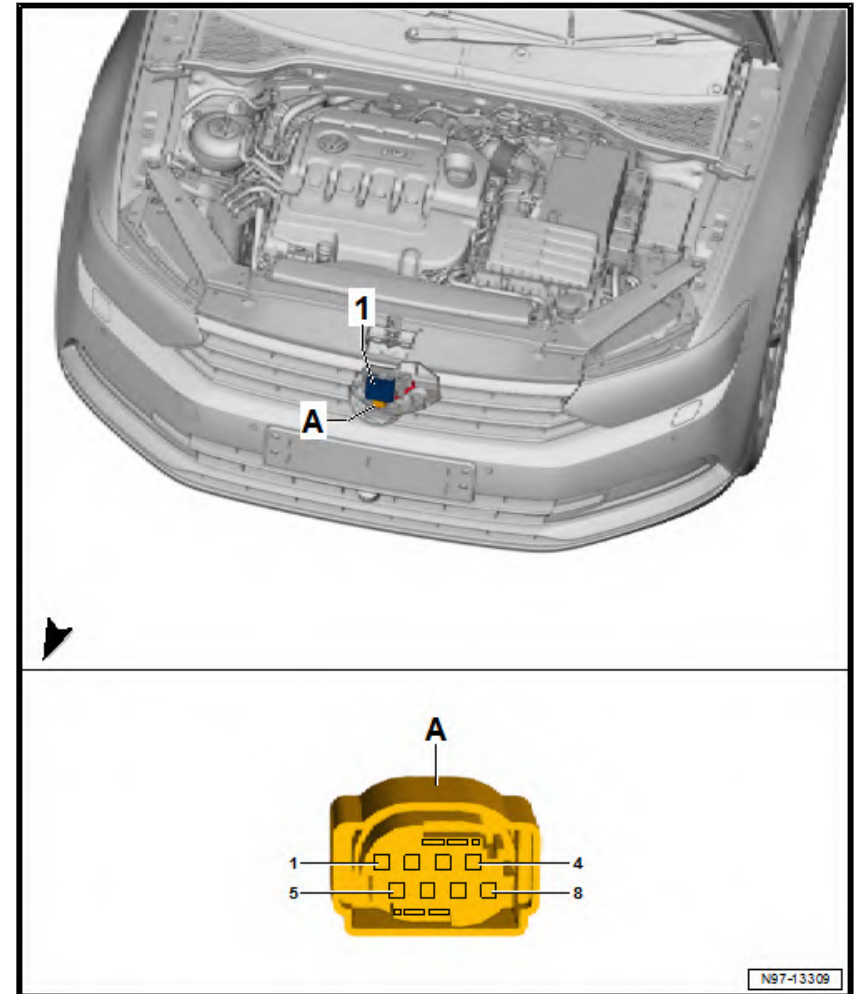
**1.19 Adaptive cruise control unit -J428-**

Fitting location:

behind radiator grille.

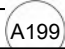
1 - Adaptive cruise control unit -J428-

A - 8-pin connector -T8-



**Connector assignment for adaptive cruise control unit -J428-**

-T8- (A)	Designation
1	Terminal 31
2	<b>B668</b> Connection 2 (CAN bus extended, high), in main wiring harness
3	<b>B669</b> Connection 2 (CAN bus extended, low) in main wiring harness
4	
5	Front camera for driver assist systems -R242-

-T8- (A)	Designation
6	Front camera for driver assist systems -R242-
7	
8	 Positive connection 4 (15a) in dash panel wiring harness

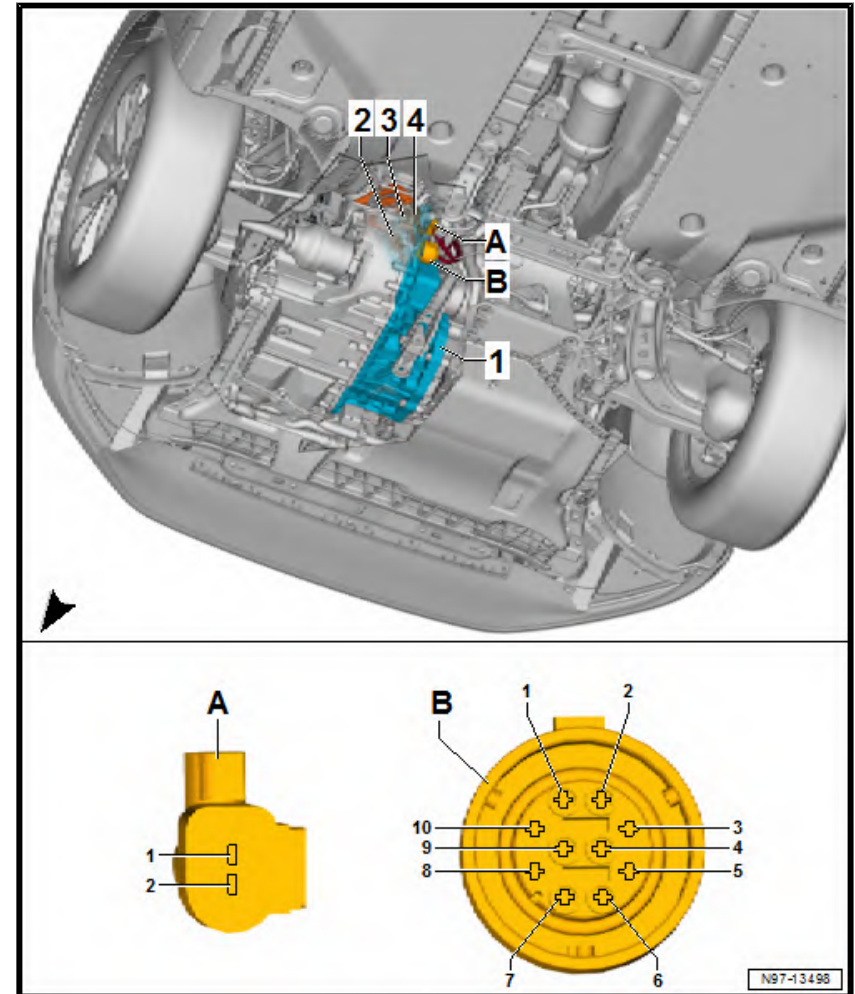
Back to overview ⇒ [page 1](#)

## 1.20 Three-phase current drive -VX54-

Fitting location:

in the engine compartment.

- 1 - Three-phase current drive -VX54-
- 2 - High-voltage wire 3 for drive motor -P6-
- 3 - High-voltage wire 2 for drive motor -P5-
- 4 - High-voltage wire 1 for drive motor -P4-
- A - 2-pin connector -T2r-
- B - 10-pin connector -T10a-



Connector assignment for three-phase current drive -VX54-

-T2r- (A)	Designation	-T10a- (B)	Designation
1	Pilot line	1	Power and control electronics for electric drive -JX1-
2	Pilot line	2	Power and control electronics for electric drive -JX1-
		3	Power and control electronics for electric drive -JX1-
		4	Power and control electronics for electric drive -JX1-
		5	Power and control electronics for electric drive -JX1-

-T2r- (A)	Designation		-T10a- (B)	Designation
			6	Power and control electronics for electric drive -JX1-
			7	Power and control electronics for electric drive -JX1-
			8	Power and control electronics for electric drive -JX1-
			9	
			10	

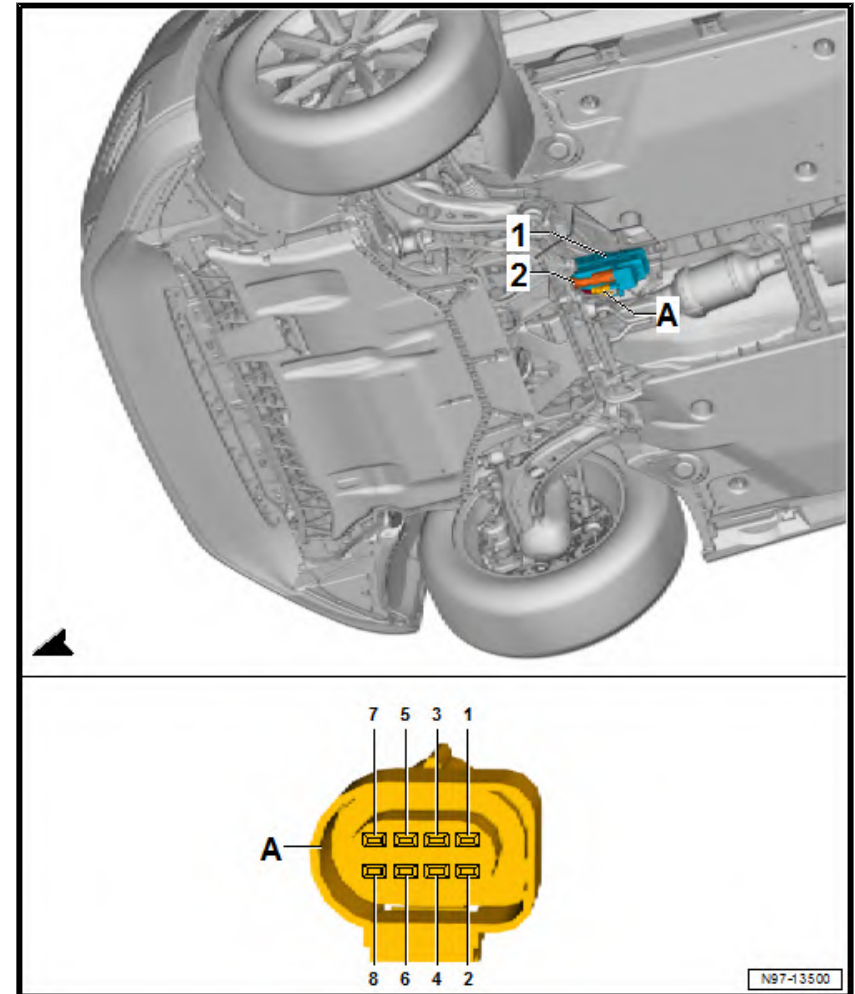
Back to overview ⇒ [page 1](#)

### 1.21 High-voltage heater (PTC) control unit -J848-

Fitting location:

At centre tunnel, close to catalytic converter

- 1 - High-voltage heater (PTC) control unit -J848-
- 2 - High-voltage wire for high-voltage heater (PTC) -P11-
- A - 8-pin connector -T8d-



Connector assignment for high-voltage heater (PTC) control unit -J848-

-T8d (A)	Designation
1	Air conditioning system relay -J32- ◆ Terminal 87
2	Terminal 31
3	
4	LIN bus

-T8d (A)	Designation
5	High-voltage battery 1 -AX2- ◆ Pilot line
6	
7	Three-phase current drive -VX54- ◆ Pilot line
8	

Back to overview ⇒ [page 1](#)

## 1.22 Brake servo -NX6-

Fitting location:

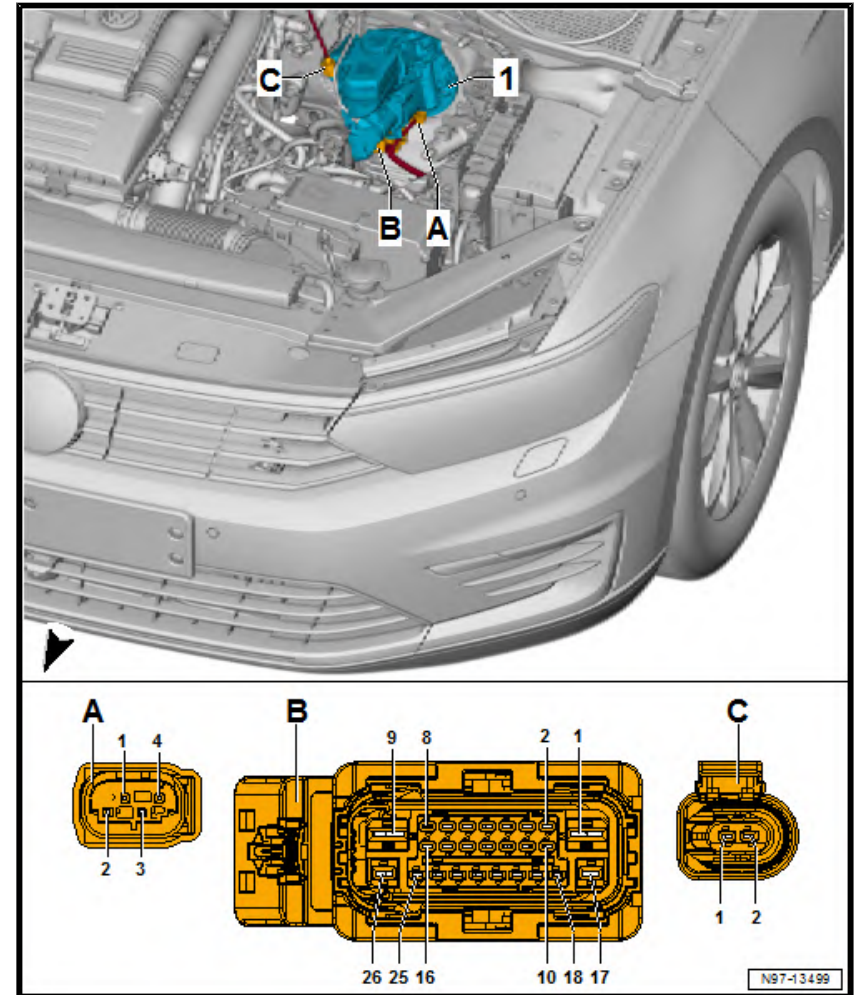
Close to bulkhead

1 - Brake servo -NX6-

A - 4-pin connector -T4gr-

B - 26-pin connector -T26c-

C - 2-pin connector -T2ml-



Connector assignment for brake servo -NX6-

-T4gr- (A)	Designation	-T26c- (B)	Designation	-T2ml- (C)	Designation
1	Brake servo -NX6-	1	Terminal 30	1	Terminal 31
2	Brake servo -NX6-	2	Brake pedal position sender -G100-	2	Onboard supply control unit -J519-
3	Brake servo -NX6-	3			
4	Brake servo -NX6-	4			



-T4gr- (A)	Designation	-T26c- (B)	Designation	-T2ml- (C)	Designation
		5			
		6			
		7			
		8	Brake pedal position sender 2 -G836-		
		9	Terminal 31		
		10	<span style="border: 1px solid black; border-radius: 50%; padding: 2px;">B817</span> Connection 2 (hybrid CAN bus, low) in main wiring harness		
		11			
		12			
		13			
		14			
		15			
		16	<span style="border: 1px solid black; border-radius: 50%; padding: 2px;">B391</span> Connection 2 (powertrain CAN bus, low) in main wiring harness		
		17	Terminal 30		
		18	<span style="border: 1px solid black; border-radius: 50%; padding: 2px;">B816</span> Connection 2 (hybrid CAN bus, high) in main wiring harness		
		19			
		20	Terminal 15		
		21			
		22	Brake pedal position sender -G100-		
		23	Brake pedal position sender 2 -G836-		
		24	Terminal 54		
		25	<span style="border: 1px solid black; border-radius: 50%; padding: 2px;">B384</span> Connection 2 (powertrain CAN bus, high) in main wiring harness		
		26			

Back to overview [⇒ page 1](#)

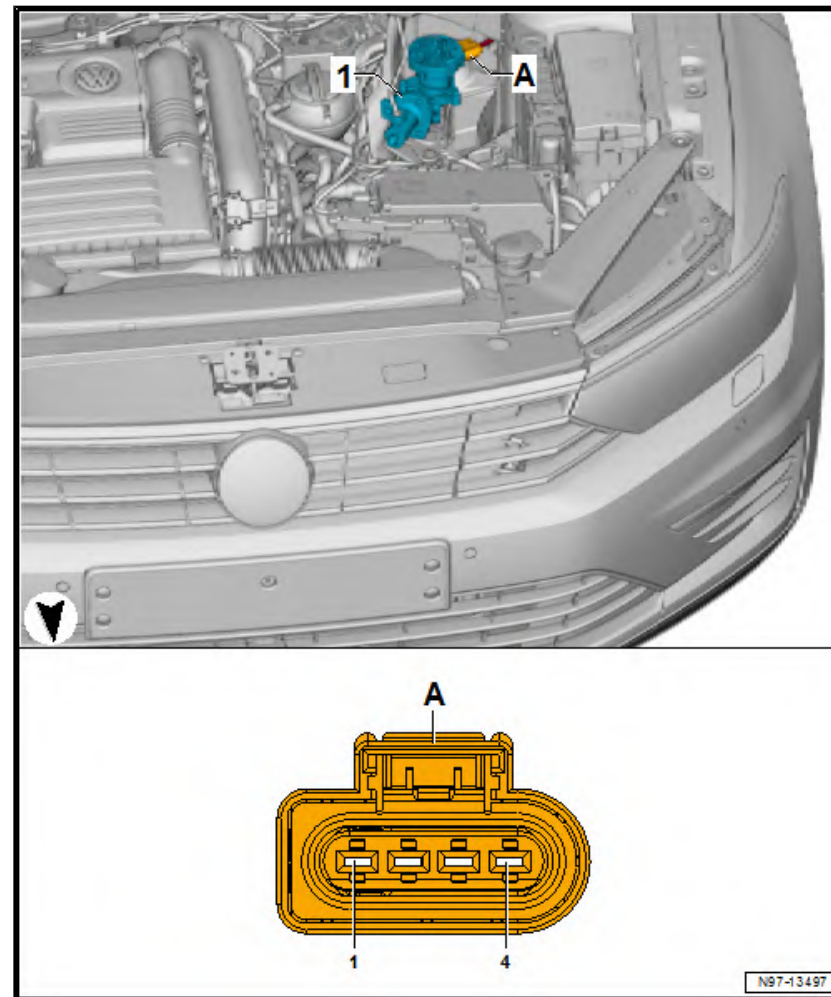
### 1.23 Brake system pressure accumulator -VX70-

Fitting location:

On left in engine compartment.

1 - Brake system pressure accumulator -VX70-

A - 4-pin connector -T4gq-



Connector assignment for brake system pressure accumulator -VX70-

-T4gq (A)	Designation
1	Terminal 30
2	(B816) Connection 2 (hybrid CAN bus, high) in main wiring harness
3	(B817) Connection 2 (hybrid CAN bus, low) in main wiring harness
4	Terminal 31

[Back to overview ⇒ page 1](#)

### 1.24 Power and control electronics for electric drive -JX1-

Fitting location:

On left in engine compartment.

#### 1 - Power and control electronics for electric drive -JX1-

- ❑ Electric drive control unit -J841- integrated into power and control electronics for electric drive -JX1-
- ❑ High-voltage system fuse 3 -S353- integrated into power and control electronics for electric drive -JX1-

2 - High-voltage wire for hybrid battery, negative terminal -P2-

3 - High-voltage wire for hybrid battery, positive terminal -P1-

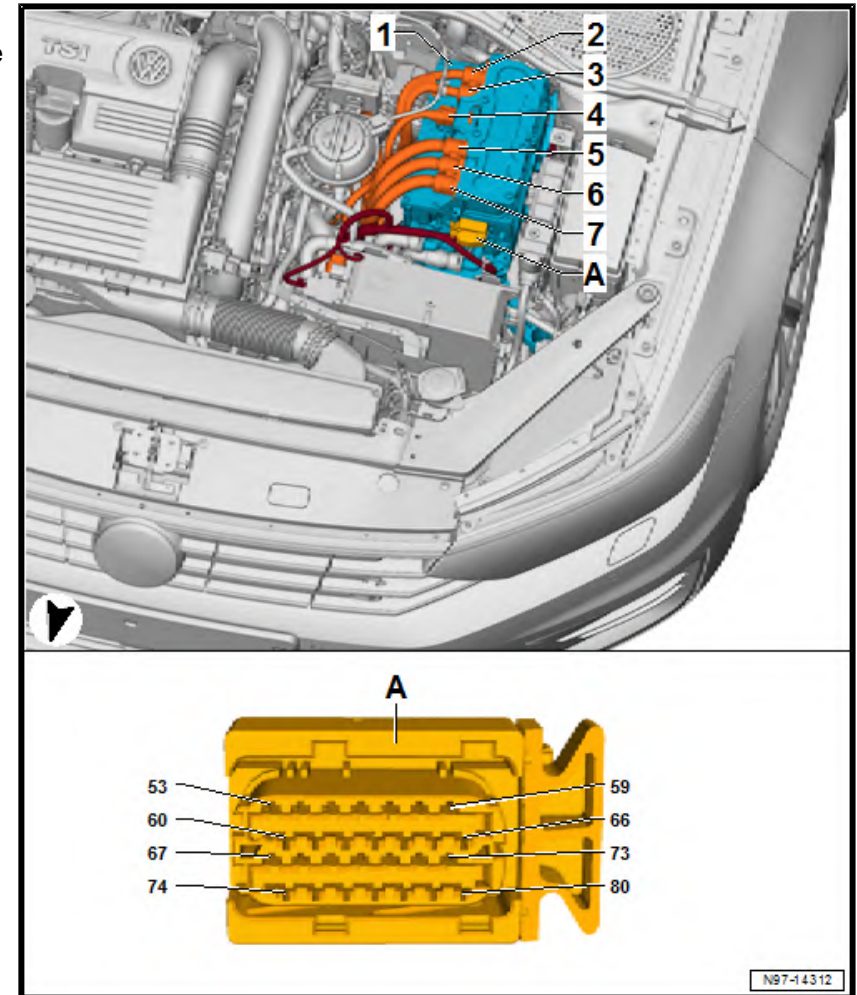
4 - High-voltage wire for charging unit 1/wiring junction -P12-

5 - High-voltage wire 3 for drive motor -P6-

6 - High-voltage wire 2 for drive motor -P5-

7 - High-voltage wire 1 for drive motor -P4-

A - 28-pin connector -T28-



Connector assignment for power and control electronics for electric drive -JX1-

-T28- (A)	Designation	-T28- (A)	Designation
1 (53)	x5 Connection 1 (hybrid CAN bus, low) in engine compartment wiring harness	15 (67)	
2 (54)	x4 Connection 1 (hybrid CAN bus, high) in engine compartment wiring harness	16 (68)	
3 (55)	Terminal 30	17 (69)	
4 (56)	Terminal 15	18 (70)	
5 (57)	Three-phase current drive -VX54-	19 (71)	
6 (58)	Three-phase current drive -VX54-	20 (72)	
7 (59)	Three-phase current drive -VX54-	21 (73)	
8 (60)	B391 Connection 2 (powertrain CAN bus, low) in main wiring harness	22 (74)	Three-phase current drive -VX54-
9 (61)	B384 Connection 2 (powertrain CAN bus, high) in main wiring harness	23 (75)	Three-phase current drive -VX54-
10 (62)		24 (76)	
11 (63)		25 (77)	Charging unit 1 for high-voltage battery -AX4- ◆ Pilot line
12 (64)	Three-phase current drive -VX54-	26 (78)	
13 (65)	Three-phase current drive -VX54-	27 (79)	
14 (66)	Three-phase current drive -VX54-	28 (80)	Three-phase current drive -VX54- ◆ Pilot line

[Back to overview ⇒ page 1](#)

### 1.25 Charging unit 1 for high-voltage battery -AX4-

Fitting location:

On left in engine compartment.

**1 - Charging unit 1 for high-voltage battery -AX4-**

- ❑ Charge voltage control unit for high-voltage battery -J966- integrated into charging unit 1 for high-voltage battery -AX4-
- ❑ Control unit for high-voltage battery charging unit -J1050- integrated into charging unit 1 for high-voltage battery -AX4-

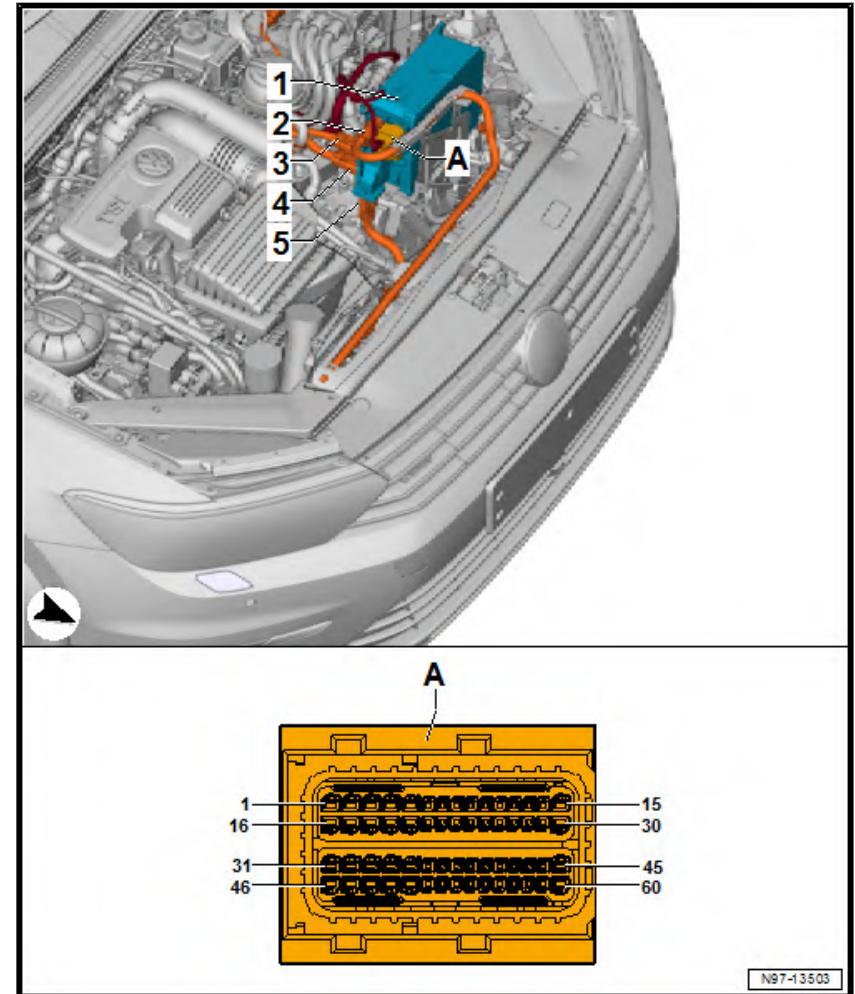
**2 - High-voltage wire 1 for high-voltage charge current distributor/high-voltage charging socket -P18-**

**3 - High-voltage wire for charging unit 1/wiring junction -P12-**

**4 - High-voltage wire for high-voltage heater (PTC) -P11-**


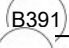
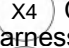
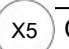
**5 - High-voltage wire for electrical air conditioner compressor -P3-**

**A - 60-pin connector -T60c-**



**Connector assignment for charging unit 1 for high-voltage battery -AX4-**

-T60c- (A)	Designation	-T60c- (A)	Designation
1	Terminal 30	31	Actuator for high-voltage charging flap lock 1 -F496-
2		32	Actuator for high-voltage charging flap lock 1 -F496-
3		33	Actuator for high-voltage charging flap lock 1 -F496-
4	Module for battery charge selector buttons -EX32-	34	Actuator for high-voltage charging flap lock 1 -F496-
5	Module for battery charge selector buttons -EX32-	35	

-T60c- (A)	Designation		-T60c- (A)	Designation
6			36	
7			37	
8			38	
9	 B384 Connection 2 (powertrain CAN bus, high) in main wiring harness		39	
10	 B391 Connection 2 (powertrain CAN bus, low) in main wiring harness		40	
11	 x4 Connection 1 (hybrid CAN bus, high) in engine compartment wiring harness		41	
12	 x5 Connection 1 (hybrid CAN bus, low) in engine compartment wiring harness		42	
13	Power and control electronics for electric drive -JX1- ◆ Pilot line		43	
14			44	
15	Maintenance connector for high-voltage system -TW- ◆ Pilot line		45	
16	High-voltage battery charging socket 1 -UX4- ◆ Actuator for high-voltage charging socket lock 1 -F498-		46	
17	High-voltage battery charging socket 1 -UX4- ◆ Actuator for high-voltage charging socket lock 1 -F498-		47	
18	High-voltage battery charging socket 1 -UX4- ◆ Actuator for high-voltage charging socket lock 1 -F498-		48	
19	High-voltage battery charging socket 1 -UX4- ◆ Actuator for high-voltage charging socket lock 1 -F498-		49	
20			50	
21	Module for battery charge selector buttons -EX32-		51	
22	Module for battery charge selector buttons -EX32-		52	
23	High-voltage battery charging socket 1 -UX4-		53	
24	High-voltage battery charging socket 1 -UX4-		54	
25	Module for battery charge selector buttons -EX32-		55	
26			56	
27	High-voltage battery charging socket 1 -UX4- ◆ Temperature sender for charging socket 1 -G853-		57	

-T60c- (A)	Designation		-T60c- (A)	Designation
28	High-voltage battery charging socket 1 -UX4- ◆ Temperature sender for charging socket 1 -G853-		58	
29			59	
30			60	Terminal 30

Back to overview ⇒ [page 1](#)

## 1.26 Control unit for air conditioning compressor -J842-

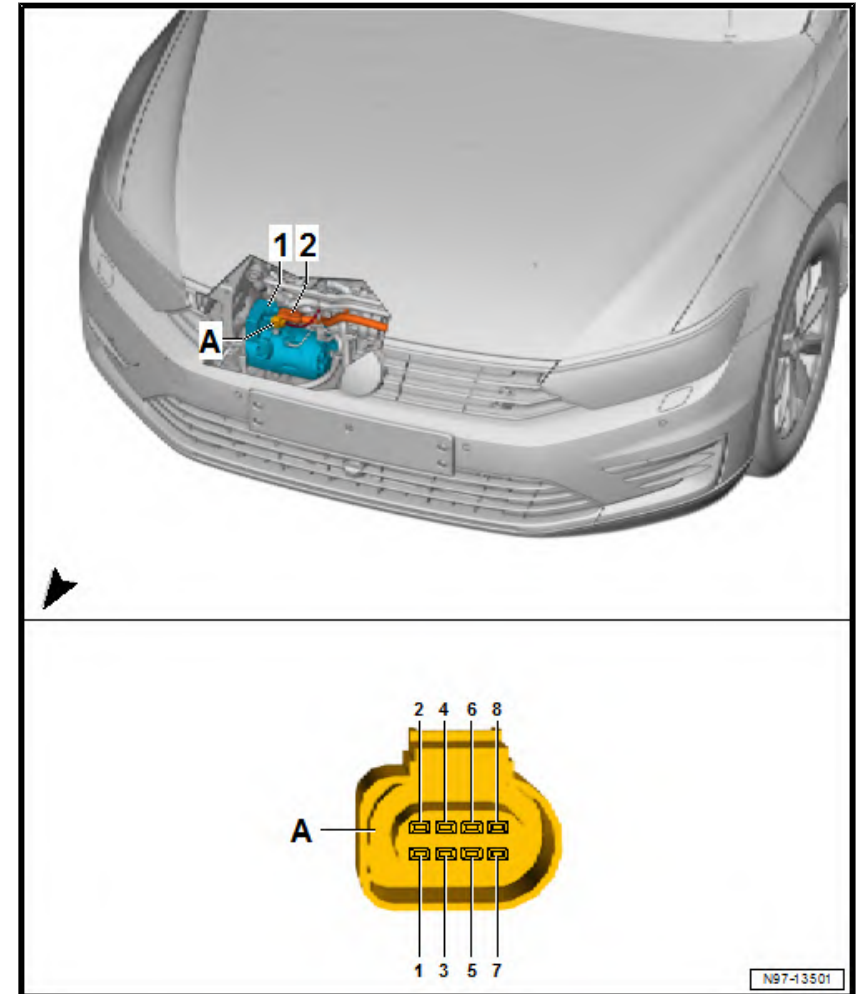
Fitting location:

in engine compartment, right.

1 - Control unit for air conditioning compressor -J842-

2 - High-voltage wire for electrical air conditioner compressor -P3-

A - 8-pin connector -T8c-



Connector assignment for control unit for air conditioning compressor -J842-

-T8c-(A)	Designation
1	
2	LIN bus
3	
4	
5	Terminal 31



-T8c-(A)	Designation
6	
7	
8	Air conditioning system relay -J32- ◆ Terminal 87

Back to overview ⇒ [page 1](#)

# 1 Control units in middle part of vehicle

Overview of control units, saloon ⇒ [page 1](#)

Overview of control units, estate ⇒ [page 6](#)

Overview of additional control units, for vehicles with hybrid drive system ⇒ [page 5](#)

## 1.1 Overview of control units, saloon

### 1 - Fresh air blower control unit -J126-

- Fitting location ⇒ [page 10](#)
- Connector assignment ⇒ [page 11](#)

### 2 - Interface for MIB CAN bus, special vehicle interface -J1061-



Note

*Only for special vehicles*

- Fitting location ⇒ [page 11](#)
- Connector assignment ⇒ [page 12](#)

### 3 - Front passenger door control unit -J387-

- Fitting location ⇒ [page 13](#)
- Connector assignment ⇒ [page 14](#)

### 4 - Control unit 1 for information electronics -J794-

- Fitting location ⇒ [page 16](#)
- Connector assignment ⇒ [page 17](#)

### 5 - Interface for entry and start system -J965-

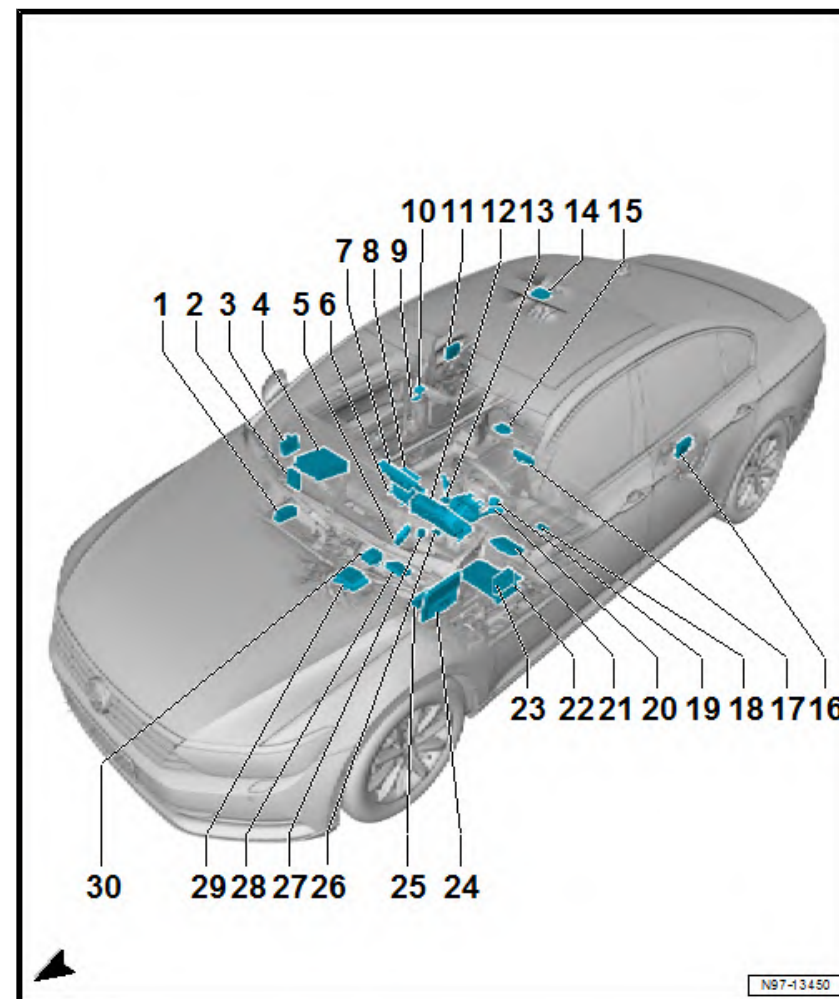
- Fitting location ⇒ [page 19](#)
- Connector assignment ⇒ [page 20](#)

### 6 - Climatronic control unit -J255- / air conditioning system control unit -J301-

- Fitting location of Climatronic control unit -J255- ⇒ [page 21](#)
- Connector assignment for Climatronic control unit -J255- ⇒ [page 23](#)
- Fitting location of air conditioning system control unit -J301- ⇒ [page 24](#)
- Connector assignment for air conditioning system control unit -J301- ⇒ [page 25](#)

### 7 - Display unit for front information display and operating unit control unit -J685-

- Fitting location ⇒ [page 26](#)
- Connector assignment ⇒ [page 27](#)



Volkswagen Technical Site: <http://vwts.ru> <http://vwts.info>

**8 - Control unit for overhead view camera -J928-**

- Fitting location ⇒ [page 30](#)
- Connector assignment ⇒ [page 31](#)

**9 - Front camera for driver assist systems -R242-**

- Fitting location ⇒ [page 35](#)
- Connector assignment ⇒ [page 36](#)

**10 - Main beam assist control unit -J844-**

- Fitting location ⇒ [page 37](#)
- Connector assignment ⇒ [page 38](#)

**11 - Rear right door control unit -J389-**

- Fitting location ⇒ [page 39](#)
- Connector assignment ⇒ [page 40](#)

**12 - Control unit in dash panel insert -J285-**

- Fitting location ⇒ [page 41](#)
- Connector assignment ⇒ [page 42](#)

**13 - Control unit for electronic steering column lock -J764-**

- Fitting location ⇒ [page 43](#)
- Connector assignment ⇒ [page 44](#)

**14 - Sliding sunroof adjustment control unit -J245-**

- Fitting location ⇒ [page 52](#)
- Connector assignment ⇒ [page 53](#)

**15 - Fuel pump control unit -J538-**

- Fitting locations, models with a petrol engine ⇒ [page 45](#)
- Connector assignment, models with a petrol engine ⇒ [page 46](#)
- Fitting locations, models with a diesel engine ⇒ [page 47](#)
- Connector assignment, models with a diesel engine ⇒ [page 48](#)

**16 - Rear left door control unit -J388-**

- Fitting location ⇒ [page 48](#)
- Connector assignment ⇒ [page 49](#)

**17 - Operating and display unit for rear air conditioning system -E265-**

- Fitting location ⇒ [page 50](#)
- Connector assignment ⇒ [page 51](#)

**18 - Special vehicle control unit -J608-**



**Note**

*Only for special vehicles*

- Fitting location ⇒ [page 56](#)
- 19 - Multifunction steering wheel control unit -J453-**
  - Fitting location ⇒ [page 58](#)
  - Connector assignment ⇒ [page 59](#)
- 20 - Steering column electronics control unit -J527-**
  - Fitting location from August 2015 ⇒ [page 59](#)
  - Fitting location for models with no heated steering wheel, from July 2018 ⇒ [page 61](#)
  - Fitting location for models with heated steering wheel, from July 2018 ⇒ [page 63](#)
  - Connector assignment from August 2015 ⇒ [page 60](#)
  - Connector assignment, 16-pin connector -T16- for models with no heated steering wheel, from July 2018 ⇒ [page 62](#)
  - Connector assignment, 14-pin connector -T14- for models with heated steering wheel, from July 2018 ⇒ [page 64](#)
- 21 - Driver seat adjustment control unit -J810-**
  - Fitting location, left-hand drive models ⇒ [page 65](#)
  - Connector assignment, left-hand drive ⇒ [page 66](#)
  - Fitting location, right-hand drive models ⇒ [page 32](#)
  - Connector assignment, right-hand drive ⇒ [page 33](#)
- 22 - Digital sound package control unit -J525-**
  - Fitting location ⇒ [page 68](#)
  - Connector assignment ⇒ [page 69](#)
- 23 - Driver door control unit -J386-**
  - Fitting location ⇒ [page 70](#)
  - Connector assignment ⇒ [page 71](#)
- 24 - Onboard supply control unit -J519-**
  - Fitting location ⇒ [page 74](#)
  - Connector assignment ⇒ [page 75](#)
- 25 - Parking aid control unit -J446- / park assist steering control unit -J791-**
  - Fitting location of parking aid control unit -J446- ⇒ [page 78](#)
  - Connector assignment for parking aid control unit -J446- ⇒ [page 79](#)
  - Fitting location of park assist steering control unit -J791- ⇒ [page 78](#)
  - Connector assignment for park assist steering control unit -J791- ⇒ [page 79](#)

**26 - Control unit for Head-up Display -J898-**

- Fitting location ⇒ [page 80](#)
- Connector assignment ⇒ [page 81](#)

**27 - Selector lever -E313-**

- Fitting location ⇒ [page 82](#)
- Connector assignment ⇒ [page 83](#)

**28 - Data bus diagnostic interface -J533-**

- Fitting location ⇒ [page 84](#)
- Connector assignment ⇒ [page 85](#)

**29 - Airbag control unit -J234-**

- Fitting location ⇒ [page 90](#)

**30 - Control unit for cornering light and headlight range control -J745-**

- Fitting location with 26-pin connector -T26- ⇒ [page 86](#)
- Fitting location with 20-pin connector -T20- ⇒ [page 88](#)
- Connector assignment with 26-pin connector -T26- ⇒ [page 87](#)
- Connector assignment with 20-pin connector -T20- ⇒ [page 89](#)

## 1.2 Overview of additional control units, for vehicles with hybrid drive system



Note

*The fitting locations are identical on saloon and estate models.*

### 1 - High-voltage battery 1 -AX2-

- Fitting location ⇒ [page 92](#)
- Connector assignment ⇒ [page 93](#)

### 2 - Battery regulation control unit -J840-

- Fitting location ⇒ [page 93](#)
- Connector assignment ⇒ [page 94](#)

### 3 - Module monitor control unit for batteries -J497-

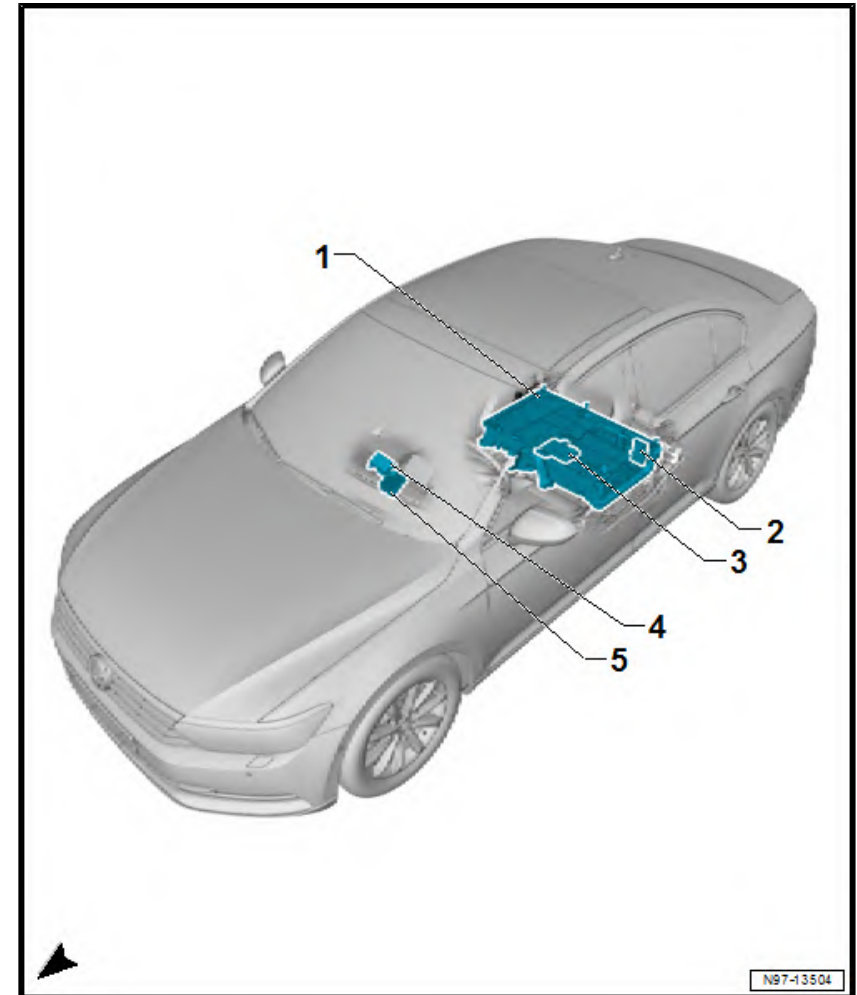
- Fitting location ⇒ [page 95](#)
- Connector assignment ⇒ [page 96](#)

### 4 - Emergency call module control unit and communication unit -J949-

- Fitting location ⇒ [page 100](#)
- Connector assignment ⇒ [page 101](#)

### 5 - Engine sound generator control unit -J943-

- Fitting location ⇒ [page 98](#)
- Connector assignment ⇒ [page 99](#)



1.3 Overview of control units, estate

1 - Fresh air blower control unit -J126-

- Fitting location ⇒ [page 10](#)
- Connector assignment ⇒ [page 11](#)

2 - Interface for MIB CAN bus, special vehicle interface -J1061-



Note

*Only for special vehicles*

- Fitting location ⇒ [page 11](#)
- Connector assignment ⇒ [page 12](#)

3 - Front passenger door control unit -J387-

- Fitting location ⇒ [page 13](#)
- Connector assignment ⇒ [page 14](#)

4 - Control unit 1 for information electronics -J794-

- Fitting location ⇒ [page 16](#)
- Connector assignment ⇒ [page 17](#)

5 - Interface for entry and start system -J965-

- Fitting location ⇒ [page 19](#)
- Connector assignment ⇒ [page 20](#)

6 - Climatronic control unit -J255- / air conditioning system control unit -J301-

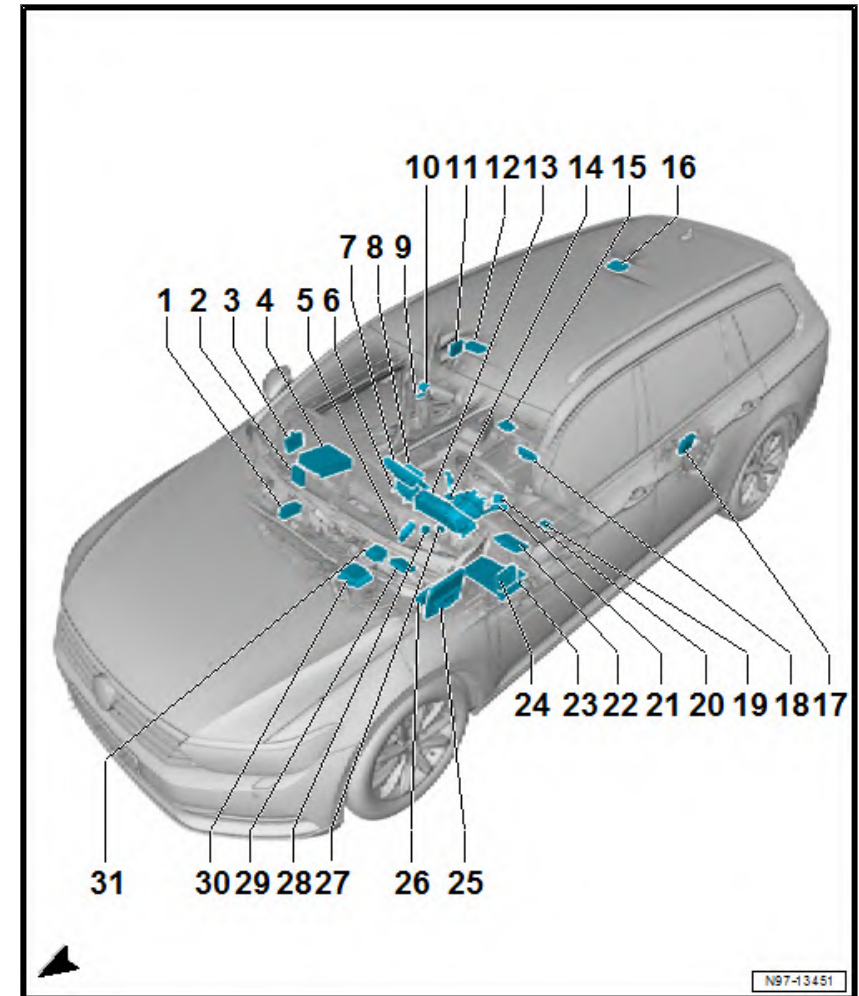
- Fitting location of Climatronic control unit -J255- ⇒ [page 21](#)
- Connector assignment for Climatronic control unit -J255- ⇒ [page 23](#)
- Fitting location of air conditioning system control unit -J301- ⇒ [page 24](#)
- Connector assignment for air conditioning system control unit -J301- ⇒ [page 25](#)

7 - Display unit for front information display and operating unit control unit -J685-

- Fitting location ⇒ [page 26](#)
- Connector assignment ⇒ [page 27](#)

8 - Control unit for overhead view camera -J928-

- Fitting location ⇒ [page 30](#)
- Connector assignment ⇒ [page 31](#)



**9 - Front camera for driver assist systems -R242-**

- Fitting location ⇒ [page 35](#)
- Connector assignment ⇒ [page 36](#)

**10 - Main beam assist control unit -J844-**

- Fitting location ⇒ [page 37](#)
- Connector assignment ⇒ [page 38](#)

**11 - Rear right door control unit -J389-**

- Fitting location ⇒ [page 39](#)
- Connector assignment ⇒ [page 40](#)

**12 - Sliding sunroof motor -V1-**

- Fitting location ⇒ [page 54](#)
- Connector assignment ⇒ [page 55](#)

**13 - Control unit in dash panel insert -J285-**

- Fitting location ⇒ [page 41](#)
- Connector assignment ⇒ [page 42](#)

**14 - Control unit for electronic steering column lock -J764-**

- Fitting location ⇒ [page 43](#)
- Connector assignment ⇒ [page 44](#)

**15 - Fuel pump control unit -J538-**

- Fitting locations, models with a petrol engine ⇒ [page 45](#)
- Connector assignment, models with a petrol engine ⇒ [page 46](#)
- Fitting locations, models with a diesel engine ⇒ [page 47](#)
- Connector assignment, models with a diesel engine ⇒ [page 48](#)

**16 - Sliding sunroof adjustment control unit -J245-**

- Fitting location ⇒ [page 54](#)
- Connector assignment ⇒ [page 55](#)

**17 - Rear left door control unit -J388-**

- Fitting location ⇒ [page 48](#)
- Connector assignment ⇒ [page 49](#)

**18 - Operating and display unit for rear air conditioning system -E265-**

- Fitting location ⇒ [page 50](#)
- Connector assignment ⇒ [page 51](#)

**19 - Special vehicle control unit -J608-**





**Note**

*Only for special vehicles*

- Fitting location ⇒ [page 56](#)
- 20 - Multifunction steering wheel control unit -J453-**
  - Fitting location ⇒ [page 58](#)
  - Connector assignment ⇒ [page 59](#)
- 21 - Steering column electronics control unit -J527-**
  - Fitting location from August 2015 ⇒ [page 59](#)
  - Fitting location for models with no heated steering wheel, from July 2018 ⇒ [page 61](#)
  - Fitting location for models with heated steering wheel, from July 2018 ⇒ [page 63](#)
  - Connector assignment from August 2015 ⇒ [page 60](#)
  - Connector assignment, 16-pin connector -T16- for models with no heated steering wheel, from July 2018 ⇒ [page 62](#)
  - Connector assignment, 14-pin connector -T14- for models with heated steering wheel, from July 2018 ⇒ [page 64](#)
- 22 - Driver seat adjustment control unit -J810-**
  - Fitting location, left-hand drive models ⇒ [page 65](#)
  - Connector assignment, left-hand drive ⇒ [page 66](#)
  - Fitting location, right-hand drive models ⇒ [page 32](#)
  - Connector assignment, right-hand drive ⇒ [page 33](#)
- 23 - Digital sound package control unit -J525-**
  - Fitting location ⇒ [page 68](#)
  - Connector assignment ⇒ [page 69](#)
- 24 - Driver door control unit -J386-**
  - Fitting location ⇒ [page 70](#)
  - Connector assignment ⇒ [page 71](#)
- 25 - Onboard supply control unit -J519-**
  - Fitting location ⇒ [page 74](#)
  - Connector assignment ⇒ [page 75](#)
- 26 - Parking aid control unit -J446- / park assist steering control unit -J791-**
  - Fitting location of parking aid control unit -J446- ⇒ [page 78](#)
  - Connector assignment for parking aid control unit -J446- ⇒ [page 79](#)
  - Fitting location of park assist steering control unit -J791- ⇒ [page 78](#)
  - Connector assignment for park assist steering control unit -J791- ⇒ [page 79](#)

**27 - Control unit for Head-up Display -J898-**

- Fitting location ⇒ [page 80](#)
- Connector assignment ⇒ [page 81](#)

**28 - Selector lever -E313-**

- Fitting location ⇒ [page 82](#)
- Connector assignment ⇒ [page 83](#)

**29 - Data bus diagnostic interface -J533-**

- Fitting location ⇒ [page 84](#)
- Connector assignment ⇒ [page 85](#)

**30 - Airbag control unit -J234-**

- Fitting location ⇒ [page 90](#)

**31 - Control unit for cornering light and headlight range control -J745-**

- Fitting location with 26-pin connector -T26- ⇒ [page 86](#)
- Fitting location with 20-pin connector -T20- ⇒ [page 88](#)
- Connector assignment with 26-pin connector -T26- ⇒ [page 87](#)
- Connector assignment with 20-pin connector -T20- ⇒ [page 89](#)

**1.4 Fresh air blower control unit -J126-**

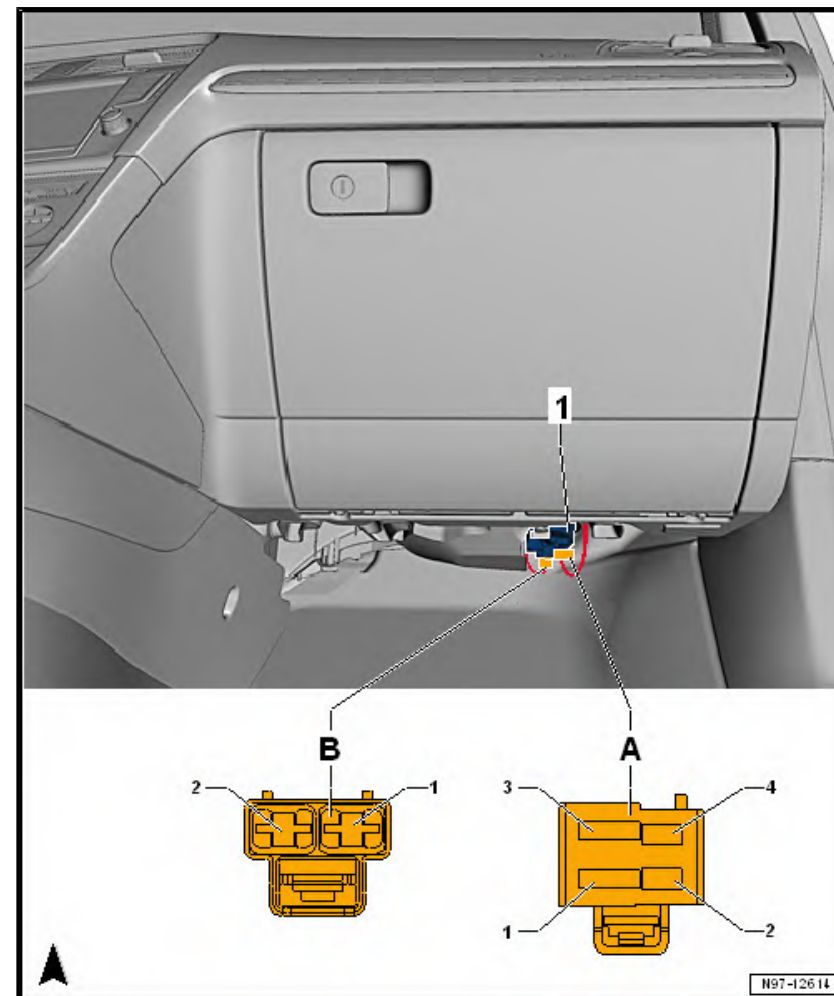
Fitting location:

On right under dash panel.

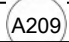
1 - Fresh air blower control unit -J126-

A - 4-pin connector -T4dh-

B - 2-pin connector -T2qr-



Connector assignment for fresh air blower control unit -J126-

-T4dh- (A)	Designation		-T2qr- (B)	Designation
1	Terminal 31		1	Fresh air blower -V2-
2			2	Fresh air blower -V2-
3	Terminal 30			
4	 Connection 1 (LIN bus) in dash panel wiring harness			

Back to overview ⇒ [page 1](#)

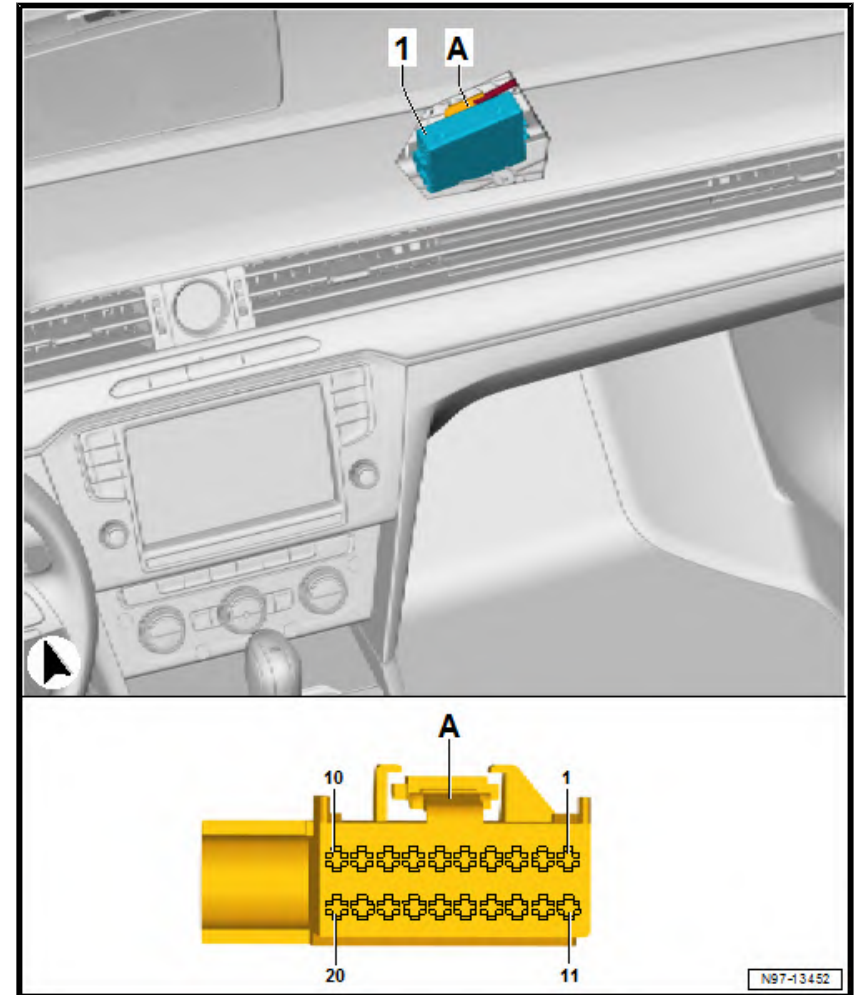
**1.5 Interface for MIB CAN bus, special vehicle interface -J1061-**

Fitting location:

On right under dash panel.

1 - Interface for MIB CAN bus, special vehicle interface -J1061-

A - 20-pin connector -T20j-



Connector assignment for interface for MIB CAN bus, special vehicle interface -J1061-

-T20j- (A)	Designation		-T20j- (A)	Designation
1	Terminal 30		11	Terminal 31
2			12	
3			13	
4			14	Terminal 15
5	12-pin connector -T12xf-		15	12-pin connector -T12xf-

-T20j- (A)	Designation		-T20j- (A)	Designation
6			16	
7			17	
8	Special vehicle interface control unit -J1059-		18	Special vehicle interface control unit -J1059-
9			19	
10	12-pin connector -T12xg-		20	12-pin connector -T12xg-

Back to overview ⇒ [page 1](#)

## 1.6 Front passenger door control unit -J387-

Fitting location:

In front passenger door.

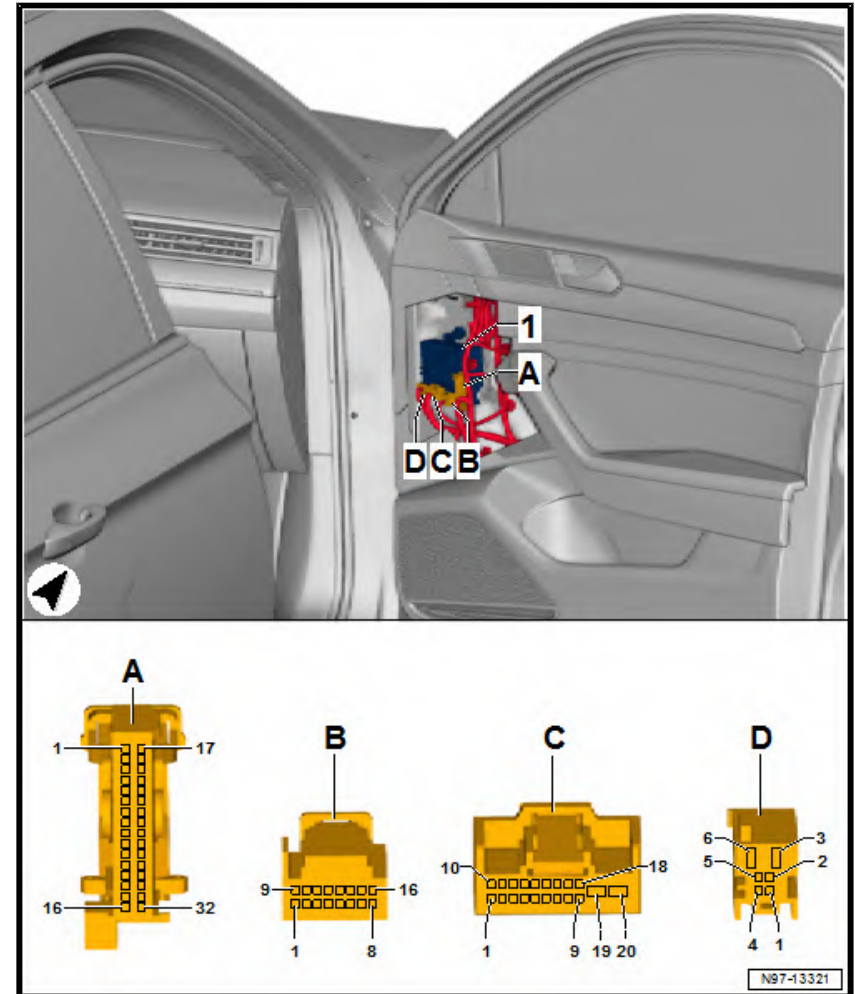
1 - Front passenger door control unit -J387-

A - 32-pin connector -T32a-

B - 16-pin connector -T16s-


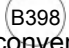
C - 20-pin connector -T20a-

D - 6-pin connector -T6s-



Connector assignment for front passenger door control unit -J387-

-T6s- (D)	Designation	-T20a- (C)	Designation	-T16s- (B)	Designation	-T32a- (A)	Designation
1		1		1	Entry light in exterior mirror, passenger side -W53-	1	
2		2		2	Automatic anti-dazzle exterior mirror, passenger side -Y21-	2	

-T6s- (D)	Designation	-T20a- (C)	Designation	-T16s- (B)	Designation	-T32a- (A)	Designation
3	Right window regulator motor -V15-	3		3	Front passenger side turn signal repeater bulb -L132- Heated exterior mirror on passenger side -Z5-	3	
4		4		4	Passenger side exterior mirror -VX5-	4	Window regulator switch in front passenger door -E107-
5		5	Front passenger door contact switch -F3-	5	Front passenger side mirror adjustment motor 2 -V25-	5	Window regulator switch in front passenger door -E107- Front passenger side door warning lamp -W36-
6	Right window regulator motor -V15-	6	Front passenger door central locking actuator for SAFELOCK function -F244-	6	Automatic anti-dazzle exterior mirror, passenger side -Y21-	6	
		7		7	Front passenger side mirror adjustment motor 2 -V25- Front passenger side mirror adjustment motor -V150-	7	
		8		8	Front passenger side mirror adjustment motor -V150-	8	
		9		9	Front passenger side fold-in mirror motor -V122-	9	
		10	Rear right door control unit -J389-	10	Front passenger side fold-in mirror motor -V122-	10	
		11	Front passenger door central locking motor -V57- Front passenger door central locking SAFELOCK function motor -V162-	11	Front passenger side turn signal repeater bulb -L132-	11	
		12	Front passenger door central locking SAFELOCK function motor -V162-	12		12	
		13	Front passenger door central locking motor -V57-	13	Passenger side exterior mirror -VX5-	13	
		14	 Connection 2 (convenience CAN bus, low) in main wiring harness	14	Passenger side exterior mirror -VX5-	14	
		15	 Connection 2 (convenience CAN bus, high) in main wiring harness	15	Heated exterior mirror on passenger side -Z5-	15	
		16		16	Passenger side exterior mirror -VX5-	16	Front passenger side door warning lamp -W36-



-T6s- (D)	Designation	-T20a- (C)	Designation	-T16s- (B)	Designation	-T32a- (A)	Designation
		17				17	
		18				18	
		19	Terminal 30			19	
		20	Terminal 31			20	
						21	
						22	
						23	
						24	
						25	
						26	
						27	
						28	
						29	
						30	
						31	
						32	Window regulator switch in front passenger door -E107-

Back to overview ⇒ [page 1](#)

### 1.7 Control unit 1 for information electronics -J794-

Fitting location:

In glove compartment.

**i** Note

Multiway connector housing A, made up of connectors B, C, D, and E.

1 - Control unit 1 for information electronics -J794-

A - 8-pin connector -T8al-

B - 12-pin connector -T12h-

C - 12-pin connector -T12i-

D - 12-pin connector -T12j-

E - 8-pin connector -T8ak-

F - 2-pin connector -T2ec-

- Fibre optic cable (FOC)

G - 5-pin connector -T5ak-

- Display unit for front information display and operating unit control unit -J685-

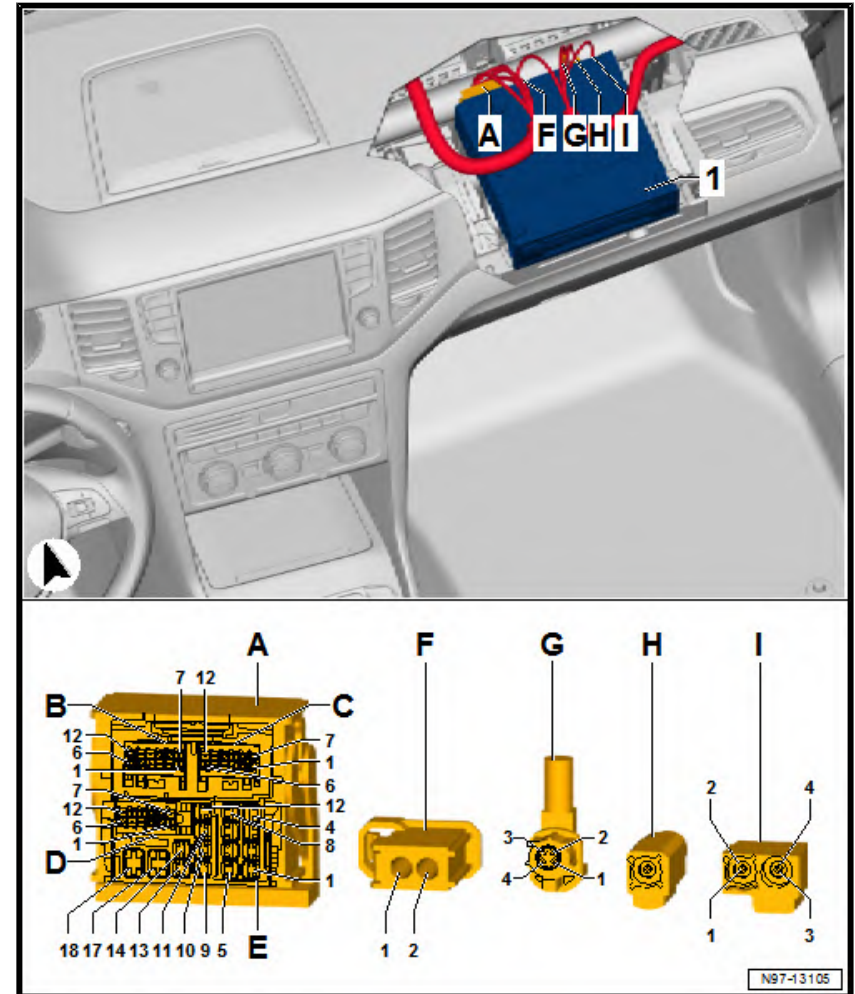
H - 5-pin connector -T5ai-

- Interface for external multimedia unit -R215-
- Connection for external audio sources -R199-
- Chip card reader -D8-

I - 4-pin connector -T4ga-, colourless

- TV aerial 1 -R55- <sup>1)</sup>
- Radio aerial -R248- <sup>1)</sup>
- LTE aerial 1 -R297- <sup>1)</sup>
- GSM aerial -R205- <sup>1)</sup>

<sup>1)</sup> According to equipment

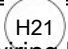
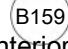
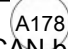


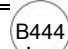
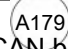
Connector assignment of control unit 1 for information electronics -J794-

-T8ak- (E)	Designation	-T8al- (A)	Designation	-T2ec- (F)	Designation
1	Rear right treble loudspeaker -R16- Rear right bass loudspeaker -R17-	9		1	Dash panel insert -KX2- <sup>1)</sup> Digital sound package control unit -J525- <sup>1)</sup>

-T8ak- (E)	Designation	-T8al- (A)	Designation	-T2ec- (F)	Designation
2	Front right treble loudspeaker -R22- Front right bass loudspeaker -R23-	10		2	TV tuner -RX6- <sup>1)</sup> Digital sound package control unit -J525- <sup>1)</sup>
3	Front left treble loudspeaker -R20- Front left bass loudspeaker -R21-	11			
4	Rear left treble loudspeaker -R14- Rear left bass loudspeaker -R15-	12			
5	Rear right treble loudspeaker -R16- Rear right bass loudspeaker -R17-	13			
6	Front right treble loudspeaker -R22- Front right bass loudspeaker -R23-	14			
7	Front left treble loudspeaker -R20- Front left bass loudspeaker -R21-	17(1)	Terminal 31		
8	Rear left treble loudspeaker -R14- Rear left bass loudspeaker -R15-	18(2)	Terminal 30		

<sup>1)</sup> According to equipment

-T12j- (D)	Designation	-T12i- (C)	Designation	-T12h- (B)	Designation
1	 Connection 2, in diagnosis wiring harness	1	Connection for external audio sources -R199- <sup>1)</sup>	1	Telephone microphone -R38-
2	Display unit for front information display and operating unit control unit -J685- <sup>1)</sup> Dash panel insert -KX2- <sup>1)</sup>	2	Connection for external audio sources -R199- <sup>1)</sup>	2	
3	TV tuner -RX6- <sup>1)</sup>  Connection (diagnosis), in interior wiring harness <sup>1)</sup>	3	Connection for external audio sources -R199- <sup>1)</sup> USB hub -R293- <sup>1)</sup>	3	
4		4	Connection for external audio sources -R199- <sup>1)</sup>	4	
5	Two-way signal amplifier for mobile telephone/data services -J984- Storage compartment with interface for mobile telephone -R265-	5		5	
6	 Connection (infotainment CAN-bus, high), in dash panel wiring harness	6		6	Reversing camera -R189-

-T12j- (D)	Designation	-T12i- (C)	Designation	-T12h- (B)	Designation
7	 Connection 1 (diagnosis), in main wiring harness	7	Connection for external audio sources -R199- <sup>1)</sup>	7	Reversing camera -R189-
8	Display unit for front information display and operating unit control unit -J685-	8		8	
9		9		9	
10		10		10	
11	Storage compartment with interface for mobile telephone -R265-	11		11	
12	 Connection (Infotainment CAN-bus, low), in dash panel wiring harness	12		12	Rear overhead view camera -R246-

<sup>1)</sup> According to equipment

**Back to overview** ⇒ [page 1](#)

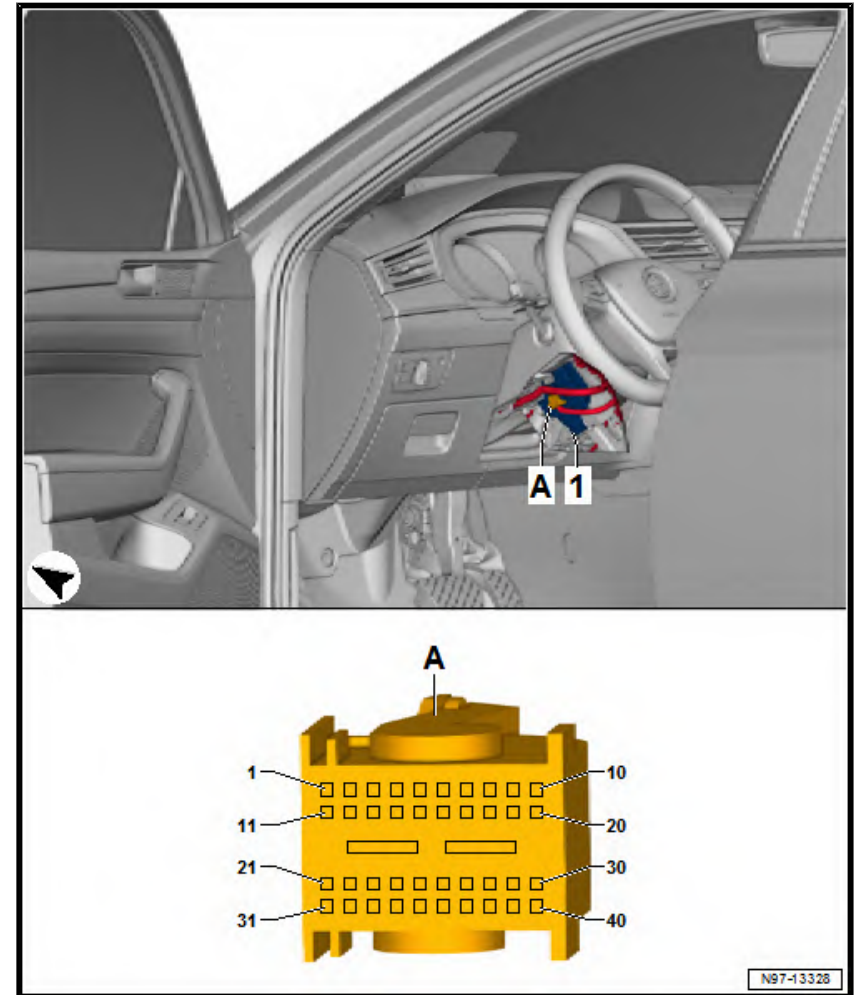
## 1.8 Interface for entry and start system -J965-

**Fitting location:**

under dash panel on left.

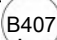
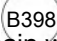
1 - Interface for entry and start system -J965-

A - 40-pin connector -T40-



**Connector assignment for interface for entry and start system -J965-**

-T40- (A)	Designation		-T40- (A)	Designation
1			21	Passenger side aerial for entry and start system -R135-
2	Rear lid power opening control unit -J938-		22	Driver side aerial for entry and start system -R134-
3	Contact sensor for rear right exterior door handle -G418-		23	Luggage compartment aerial for entry and start system -R137-
4	Rear left aerial for entry and start authorisation -R165-		24	Driver side aerial for entry and start system -R134-

-T40- (A)	Designation		-T40- (A)	Designation
5	 Connection 2 (convenience CAN bus, low) in main wiring harness		25	Rear left aerial for entry and start authorisation -R165-
6	 Connection 2 (convenience CAN bus, high) in main wiring harness		26	Onboard supply control unit -J519-
7	Starter button -E378-		27	Onboard supply control unit -J519-
8	Starter button -E378-		28	Rear right aerial for entry and start authorisation -R166-
9			29	Rear right aerial for entry and start authorisation -R166-
10			30	Terminal 30
11	Driver door exterior handle contact sensor -G415-		31	Rear bumper aerial for entry and start system -R136-
12	Front passenger door exterior handle contact sensor -G416-		32	Passenger side aerial for entry and start system -R135-
13	Contact sensor for rear left exterior door handle -G417-		33	Luggage compartment aerial for entry and start system -R137-
14			34	Rear bumper aerial for entry and start system -R136-
15	Engine/motor control unit -J623-		35	Onboard supply control unit -J519-
16	Rear lid power opening control unit -J938-		36	Interior aerial 1 for entry and start system -R138-
17	Terminal 31		37	Interior aerial 2 for entry and start system -R139-
18			38	Interior aerial 1 for entry and start system -R138-
19	Starter button -E378-		39	Interior aerial 2 for entry and start system -R139-
20			40	Onboard supply control unit -J519-

Back to overview ⇒ [page 1](#)

## 1.9 Climatronic control unit -J255-

Fitting location:

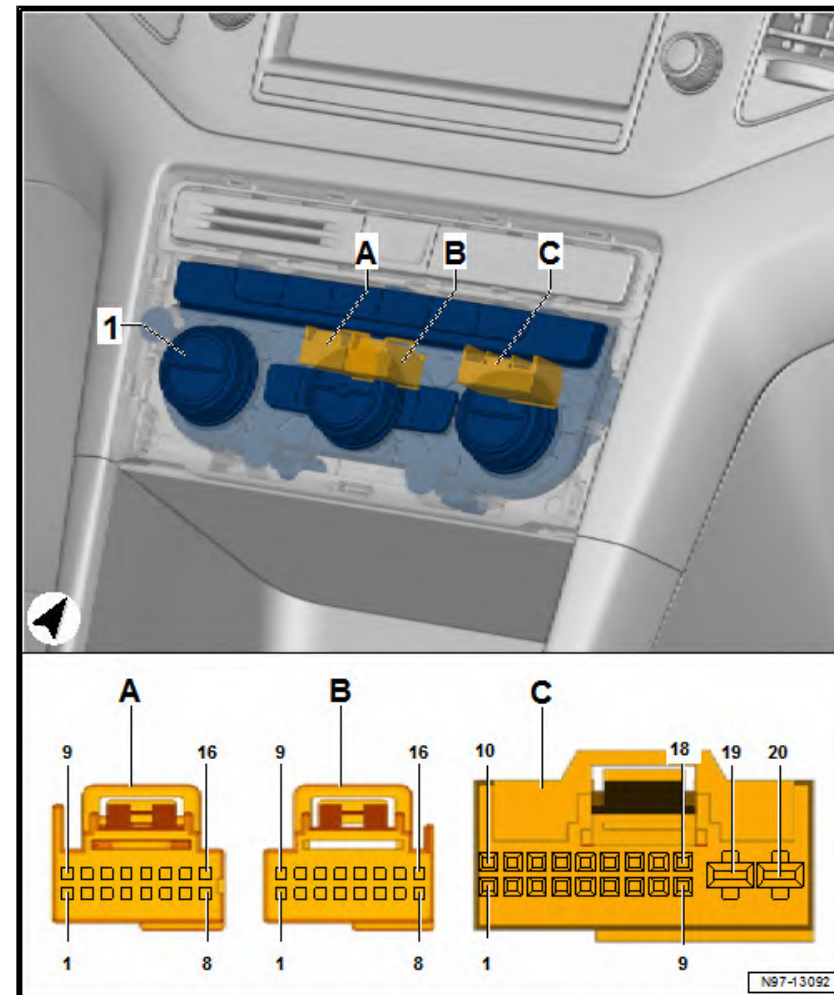
In centre of dash panel.

1 - Climatronic control unit -J255-

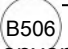
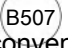
A - 16-pin connector -T16u-

B - 16-pin connector -T16t-

C - 20-pin connector -T20d-



Connector assignment for Climatronic control unit -J255-

-T16u- (A)	Designation	-T16t- (B)	Designation	-T20d- (C)	Designation
1	Left temperature flap control motor -V158-	1	Potentiometer for defroster flap control motor -G135- Potentiometer for left temperature flap control motor -G220- Potentiometer for right temperature flap control motor -G221- Potentiometer for rear temperature flap motor -G479- Potentiometer for front air distribution flap control motor -G642- Potentiometer for fresh air/air recirculation, air flow flap control motor -G644-	1	Sunlight penetration photosensor -G107-
2	Left temperature flap control motor -V158-	2	Potentiometer for left temperature flap control motor -G220-	2	
3	Defroster flap control motor -V107-	3	Potentiometer for right temperature flap control motor -G221-	3	Sunlight penetration photosensor -G107-
4	Defroster flap control motor -V107-	4	Potentiometer for defroster flap control motor -G135-	4	
5	Front air distribution flap control motor -V426-	5	Potentiometer for front air distribution flap control motor -G642-	5	 Connection (convenience CAN bus, high) in interior wiring harness
6	Front air distribution flap control motor -V426-	6		6	 Connection (convenience CAN bus, low) in interior wiring harness
7		7	Potentiometer for fresh air/air recirculation, air flow flap control motor -G644-	7	
8		8	Footwell vent temperature sender -G192-	8	
9	Fresh air/air recirculation, air flow flap control motor -V425-	9		9	Sunlight penetration photosensor -G107-
10	Fresh air/air recirculation, air flow flap control motor -V425-	10		10	
11	Right temperature flap control motor -V159-	11	Evaporator temperature sensor -G308-	11	Rear vent temperature sender -G174-
12	Right temperature flap control motor -V159-	12	Potentiometer for rear temperature flap motor -G479-	12	
13		13		13	Front left chest vent temperature sensor -G385-



-T16u- (A)	Designation	-T16t- (B)	Designation	-T20d- (C)	Designation
14		14	Potentiometer for defroster flap control motor -G135- Footwell vent temperature sender -G192- Potentiometer for left temperature flap control motor -G220- Potentiometer for right temperature flap control motor -G221- Evaporator temperature sensor -G308- Potentiometer for rear temperature flap motor -G479- Potentiometer for front air distribution flap control motor -G642- Potentiometer for fresh air/air recirculation, air flow flap control motor -G644-	14	Front right chest vent temperature sensor -G151-
15	Rear temperature flap control motor -V137-	15		15	
16	Rear temperature flap control motor -V137-	16		16	(A209) Connection 1 (LIN bus) in dash panel wiring harness
				17	Sunlight penetration photosensor -G107- Rear vent temperature sender -G174- Front left chest vent temperature sensor -G150- Front right chest vent temperature sensor -G151-
				18	Air conditioner compressor regulating valve -N280-
				19	Terminal 31
				20	Terminal 30

Back to overview ⇒ [page 1](#)

### 1.10 Air conditioning system control unit -J301-

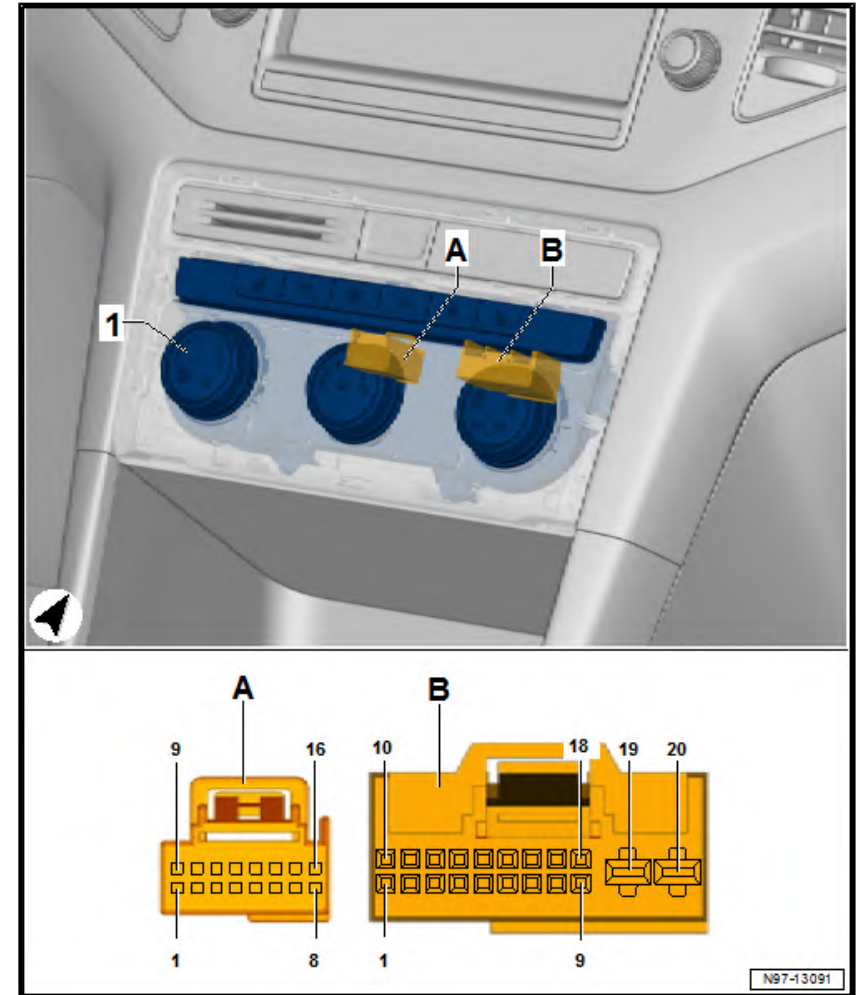
Fitting location:

In centre of dash panel.

1 - Air conditioning system control unit -J301-

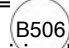
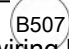
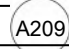
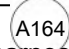
A - 16-pin connector -T16t-

B - 20-pin connector -T20d-



Connector assignment for air conditioning system control unit -J301-

-T16t- (A)	Designation		-T20d- (B)	Designation
1	Potentiometer for temperature flap control motor -G92- Potentiometer for air distribution flap control motor -G645-		1	
2	Potentiometer for temperature flap control motor -G92-		2	
3	Potentiometer for air distribution flap control motor -G645-		3	
4			4	

-T16t- (A)	Designation		-T20d- (B)	Designation
5	Temperature flap control motor -V68-		5	 Connection (convenience CAN bus, high) in interior wiring harness
6	Temperature flap control motor -V68-		6	 Connection (convenience CAN bus, low) in interior wiring harness
7	Air distribution flap control motor -V428-		7	
8	Air distribution flap control motor -V428-		8	
9	Air recirculation flap control motor -V113-		9	
10	Air recirculation flap control motor -V113-		10	
11	Evaporator temperature sensor -G308-		11	
12			12	
13			13	
14	Potentiometer for temperature flap control motor -G92- Evaporator temperature sensor -G308- Potentiometer for air distribution flap control motor -G645-		14	
15			15	
16			16	 Connection 1 (LIN bus) in dash panel wiring harness
			17	
			18	Air conditioner compressor regulating valve -N280-
			19	Terminal 31
			20	 Positive connection 2 (30a) in dash panel wiring harness

Back to overview ⇒ [page 1](#)

### 1.11 Display unit for front information display and operating unit control unit -J685-

Fitting location:

Equipment Composition Touch, Composition Colour (Entry) : in centre console.

**i** Note

Multiway connector housing B, made up of connectors C, D, E and F.

1 - Display unit for front information display and operating unit control unit -J685-

A - 4-pin connector -T4da-

- Radio aerial -R248-
- Radio aerial 2 -R93-

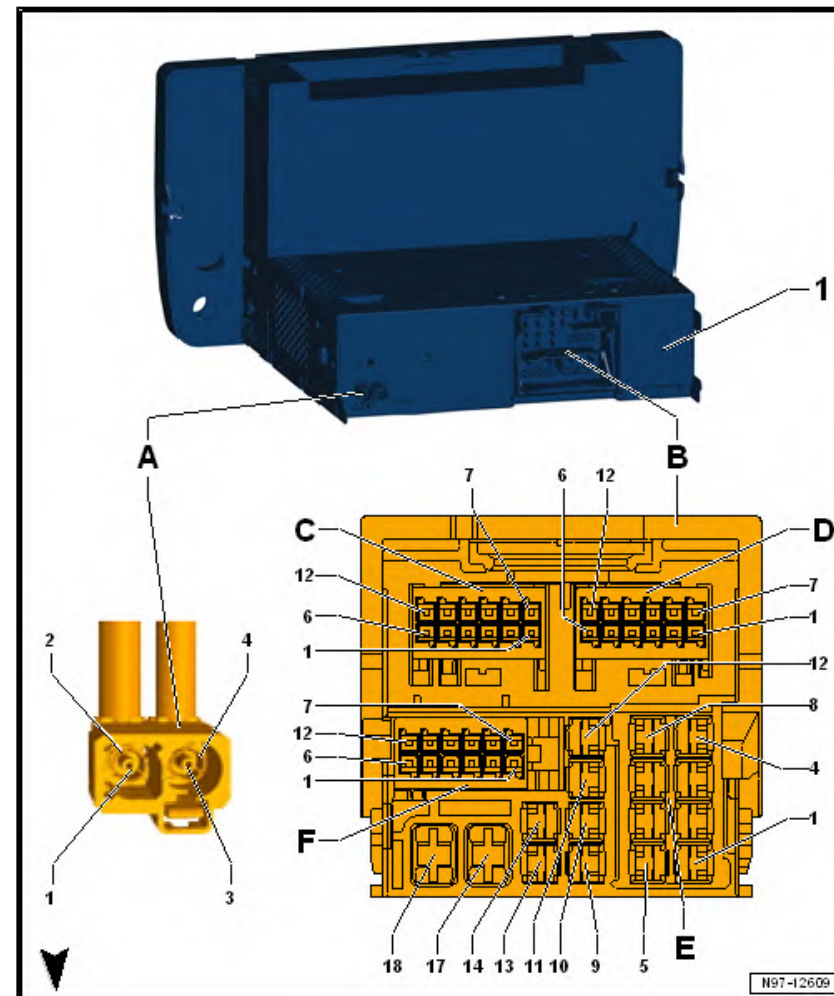
B - 8-pin connector -T8al-

C - 12-pin connector -T12n-

D - 12-pin connector -T12o-

E - 8-pin connector -T8ak-

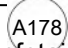

F - 12-pin connector -T12j-



Connector assignment for display unit for front information display and operating unit control unit -J685-

-T8ak- (E)	Designation	-T8al- (B)	Designation
1	Rear right treble loudspeaker -R16- Rear right bass loudspeaker -R17-	9	
2	Front right treble loudspeaker -R22- Front right bass loudspeaker -R23-	10	
3	Front left treble loudspeaker -R20- Front left bass loudspeaker -R21-	11	

-T8ak- (E)	Designation	-T8al- (B)	Designation
4	Rear left treble loudspeaker -R14- Rear left bass loudspeaker -R15-	12	
5	Rear right treble loudspeaker -R16- Rear right bass loudspeaker -R17-	13	
6	Front right treble loudspeaker -R22- Front right bass loudspeaker -R23-	14	
7	Front left treble loudspeaker -R20- Front left bass loudspeaker -R21-	17(1)	Terminal 31
8	Rear left treble loudspeaker -R14- Rear left bass loudspeaker -R15-	18(2)	Terminal 30

-T12j- (F)	Designation	-T12n- (C)	Designation	-T12o- (D)	Designation
1		1		1	
2		2		2	
3		3		3	
4		4		4	
5		5		5	
6	 Connection (infotainment CAN bus, high), in dash panel wiring harness	6		6	
7		7		7	
8		8		8	
9		9		9	
10		10		10	
11		11		11	
12	 Connection (Infotainment CAN bus, low), in dash panel wiring harness	12		12	

Back to overview ⇒ [page 1](#)

### 1.11.1 Display unit for front information display and operating unit control unit -J685-

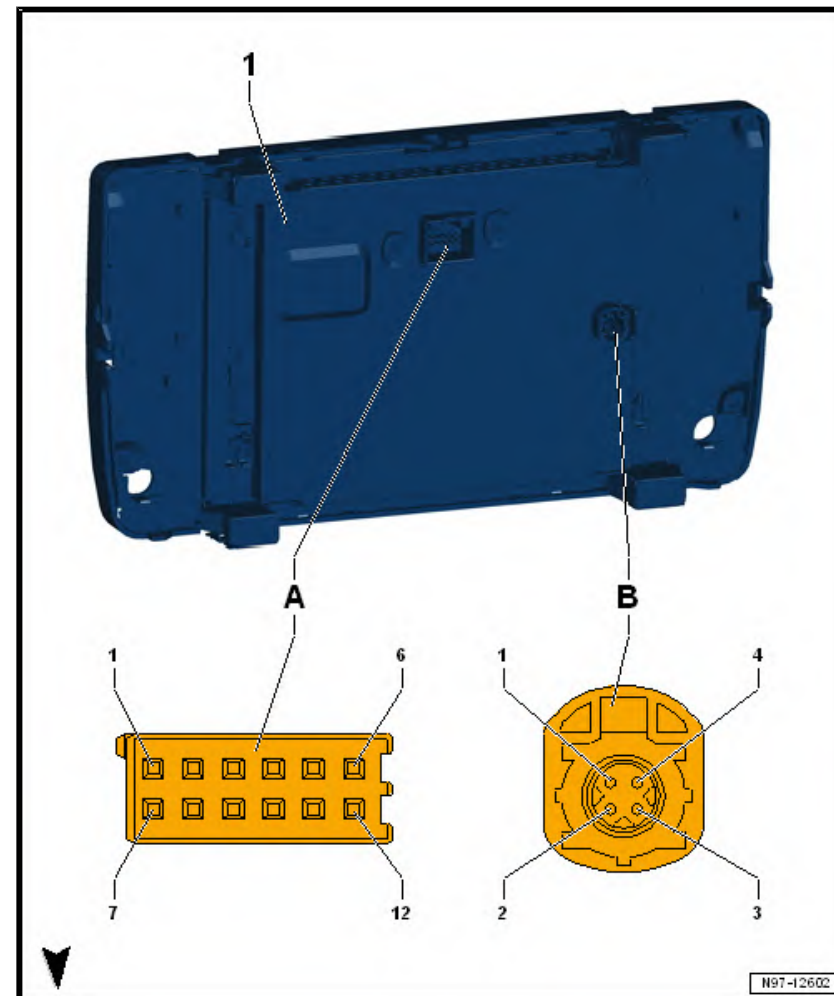
Fitting location:

Equipment Composition Media, Discover Media/Discover Pro (Standard/High) : in centre console.

1 - Display unit for front information display and operating unit control unit -J685-

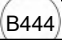
A - 12-pin connector -T12f-

B - T5-pin connector -T5ag-



Connector assignment for display unit for front information display and operating unit control unit -J685-

-T12f- (A)	Designation
1	Terminal 30
2	
3	H21 Connection 2, in diagnosis wiring harness
4	
5	Control unit 1 for information electronics -J794-

-T12f- (A)	Designation
6	
7	Terminal 31
8	
9	 Connection 1 (diagnosis), in main wiring harness
10	
11	Control unit 1 for information electronics -J794-
12	

Back to overview ⇒ [page 1](#)

### 1.12 Control unit for overhead view camera -J928-

Fitting location:

Under front passenger seat.

**1 - Control unit for overhead view camera -J928-**

**A - 5-pin connector -T5bm-**

- Rear overhead view camera -R246-

**B - 5-pin connector -T5bk-**

- Front overhead view camera -R243-

**C - 5-pin connector -T5bj-**

- Right overhead view camera -R245-

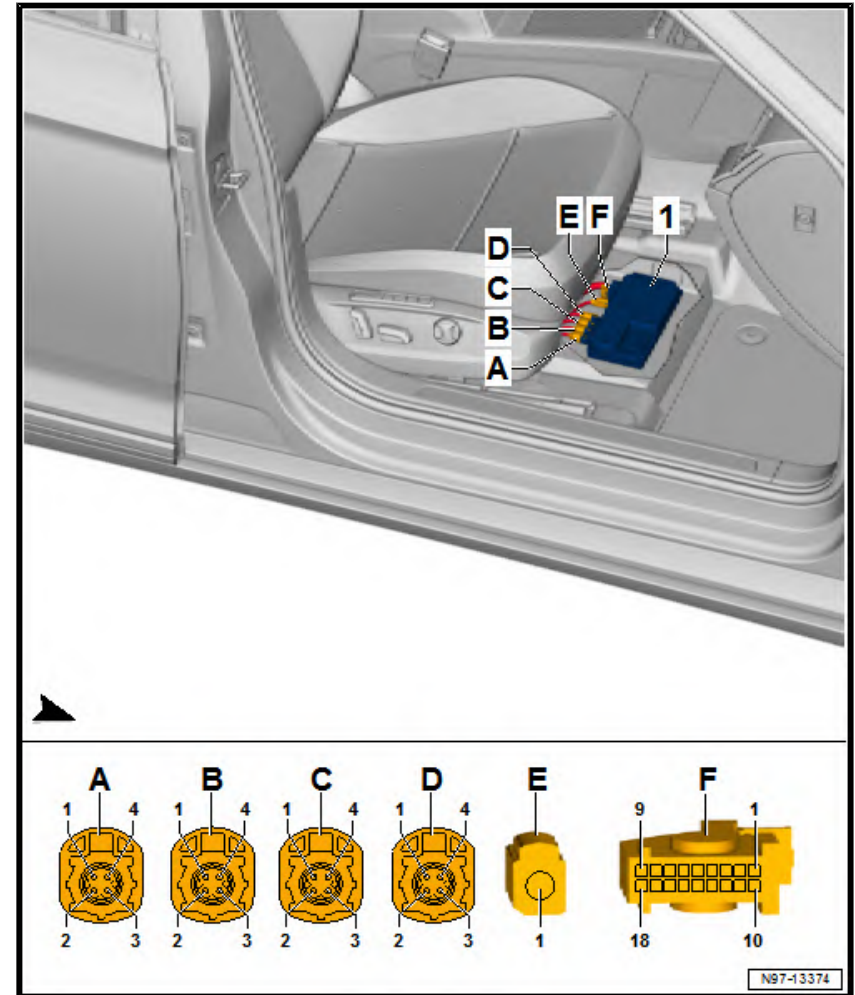
**D - 5-pin connector -T5bi-**

- Left overhead view camera -R244-

**E - 2-pin connector -T2hj-**

- Rear overhead view camera -R246-

**F - 18-pin connector -T18b-**



**Connector assignment for control unit for overhead view camera -J928-**

-T18b- (F)	Designation	-T18b- (F)	Designation
1	A32 Positive connection (30), in dash panel wiring harness	10	B664 Connection (running gear sensors CAN bus, low) in main wiring harness
2	B663 Connection (running gear sensors CAN bus, high) in main wiring harness	11	Parking aid warning lamp -K136-
3	Parking aid button -E266-	12	Terminal 31



-T18b- (F)	Designation		-T18b- (F)	Designation
4	Rear lid handle release button -E234-		13	
5			14	
6			15	
7			16	
8			17	
9			18	

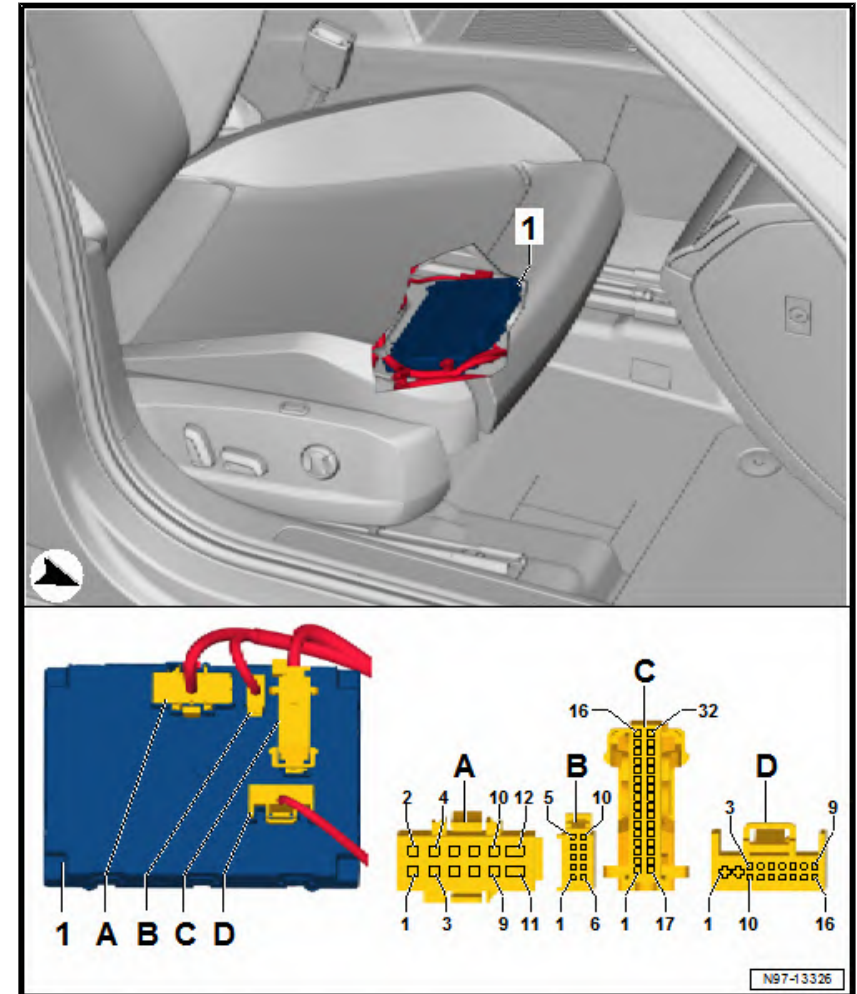
Back to overview [⇒ page 1](#)

### 1.13 Driver seat adjustment control unit -J810- , right-hand drive models

Fitting location:

Under the seat.

- 1 - Driver seat adjustment control unit -J810-
- A - 12-pin connector -T12a-
- B - 10-pin connector
- C - 32-pin connector -T32b-
- D - 16-pin connector -T16e-



Connector assignment of driver seat adjustment control unit -J810-

-T12a- (A)	Designation	-T16e- (D)	Designation	-T32b- (C)	Designation
1	Driver seat backrest adjustment motor -V45-	1		1	
2		2		2	
3	Driver seat height adjustment motor -V245-	3		3	

-T12a- (A)	Designation		-T16e- (D)	Designation		-T32b- (C)	Designation
4			4	Driver seat lumbar support longitudinal adjustment motor -V125-		4	
5	Driver seat longitudinal adjustment motor -V28-		5			5	
6	Driver seat backrest adjustment motor -V45-		6	Lumbar support height adjustment sender -G374-		6	Lumbar support longitudinal adjustment button -E336-
7	Driver seat rake adjustment motor -V243-		7			7	Lumbar support height adjustment button -E335-
8	Driver seat height adjustment motor -V245-		8			8	
9	Driver seat longitudinal adjustment motor -V28-		9			9	
10	Driver seat rake adjustment motor -V243-		10			10	140 Earth connection 2, in seat adjustment wiring harness
11	Terminal 30a		11	Lumbar support longitudinal adjustment sender -G375-		11	Driver operating unit for memory settings -E464-
12	Terminal 31		12	M9 Connection in adjustable seat wiring harness		12	Seat memory position button 1 -E218- Seat memory position button 2 -E219-
			13	Lumbar support longitudinal adjustment sender -G375-		13	
			14			14	
			15	Driver seat lumbar support height adjustment motor -V129-		15	B407 Connection 2 (convenience CAN bus, low) in main wiring harness
			16	Driver seat lumbar support height adjustment motor -V129-		16	B398 Connection 2 (convenience CAN bus, high) in main wiring harness
						17	
						18	
						19	
						20	
						21	
						22	Backrest adjustment button -E425-
						23	Seat height adjustment button -E424-
						24	
						25	Seat longitudinal adjustment button -E418-
						26	
						27	
						28	Seat memory position button 3 -E220-

-T12a- (A)	Designation		-T16e- (D)	Designation		-T32b- (C)	Designation
						29	
						30	
						31	
						32	

Back to overview ⇒ [page 1](#)

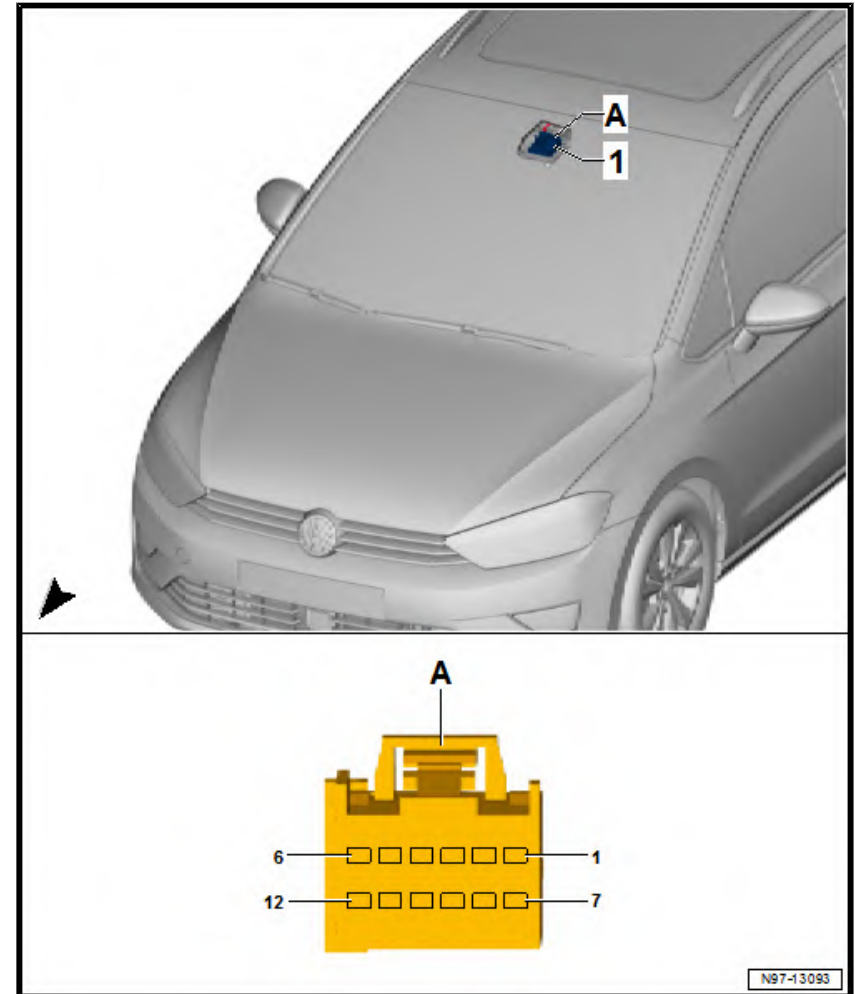
### 1.14 Front camera for driver assist systems -R242-

Fitting location:

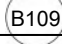
Near interior mirror.

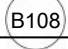
1 - Front camera for driver assist systems -R242-

A - 12-pin connector -T12o-



Connector assignment for front camera for driver assist systems -R242-

-T12o- (A)	Designation
1	Adaptive cruise control unit -J428-
2	 Connection 1 (CAN bus extended, low) in main wiring harness
3	
4	Windscreen heater for front sensors -Z113-
5	Terminal 31

-T12o- (A)	Designation
6	Terminal 15
7	Adaptive cruise control unit -J428-
8	 Connection 1 (CAN bus extended, high), in main wiring harness
9	
10	Windscreen heater for front sensors -Z113-
11	
12	

Back to overview ⇒ [page 1](#)

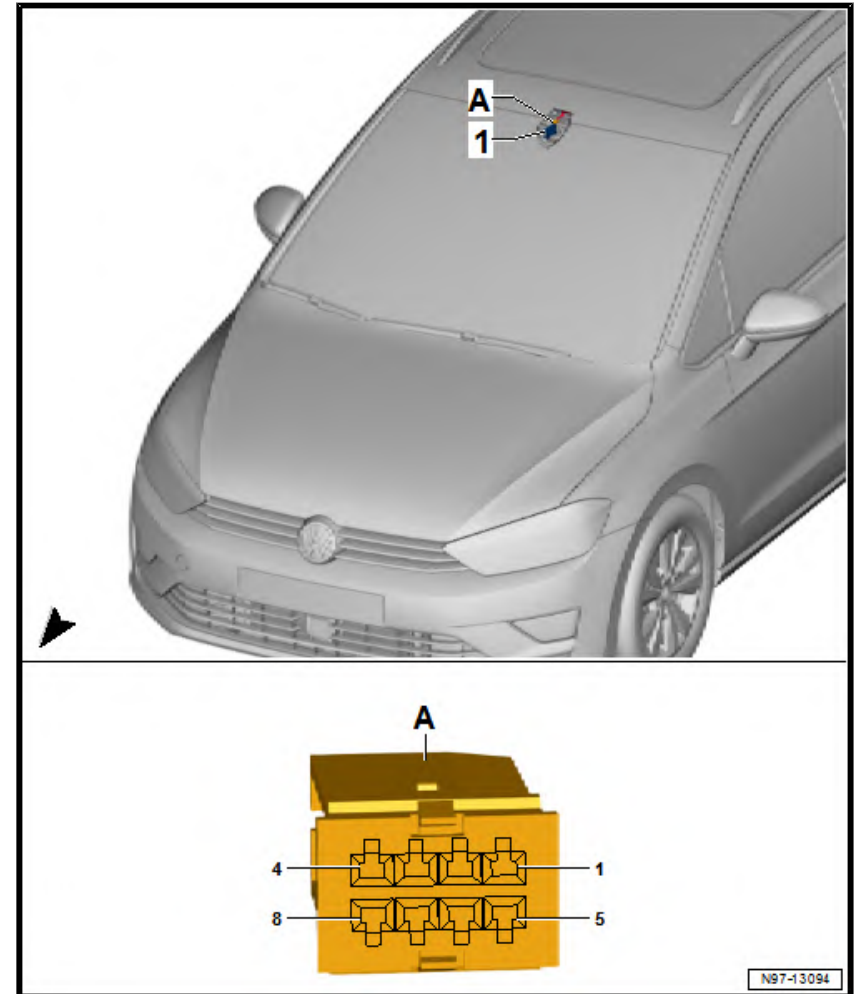
### 1.15 Main beam assist control unit -J844-

Fitting location:

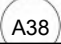
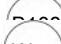
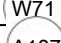
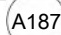
On interior mirror.

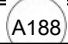
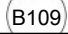
1 - Main beam assist control unit -J844-

A - 8-pin connector -T8ao-



Connector assignment for main beam assist control unit -J844-

-T8ao- (A)	Designation
1	 A38 Positive connection 2 (15a) in dash panel wiring harness
2	Terminal 31
3	 W71 Connection 1 (CAN bus extended, high) in main wiring harness <sup>1)</sup>  W71 Connection (reversing light) in rear wiring harness
4	 A187 Connection 1 (automatic anti-dazzle exterior mirror) in dash panel wiring harness

-T8ao- (A)	Designation
5	 Connection 2 (automatic anti-dazzle exterior mirror) in dash panel wiring harness
6	Front interior light -WX1-
7	
8	 Connection 1 (CAN bus extended, low) in main wiring harness

1) Only models with main beam assist

Back to overview ⇒ [page 1](#)

## 1.16 Rear right door control unit -J389-

Fitting location:

In rear right door.

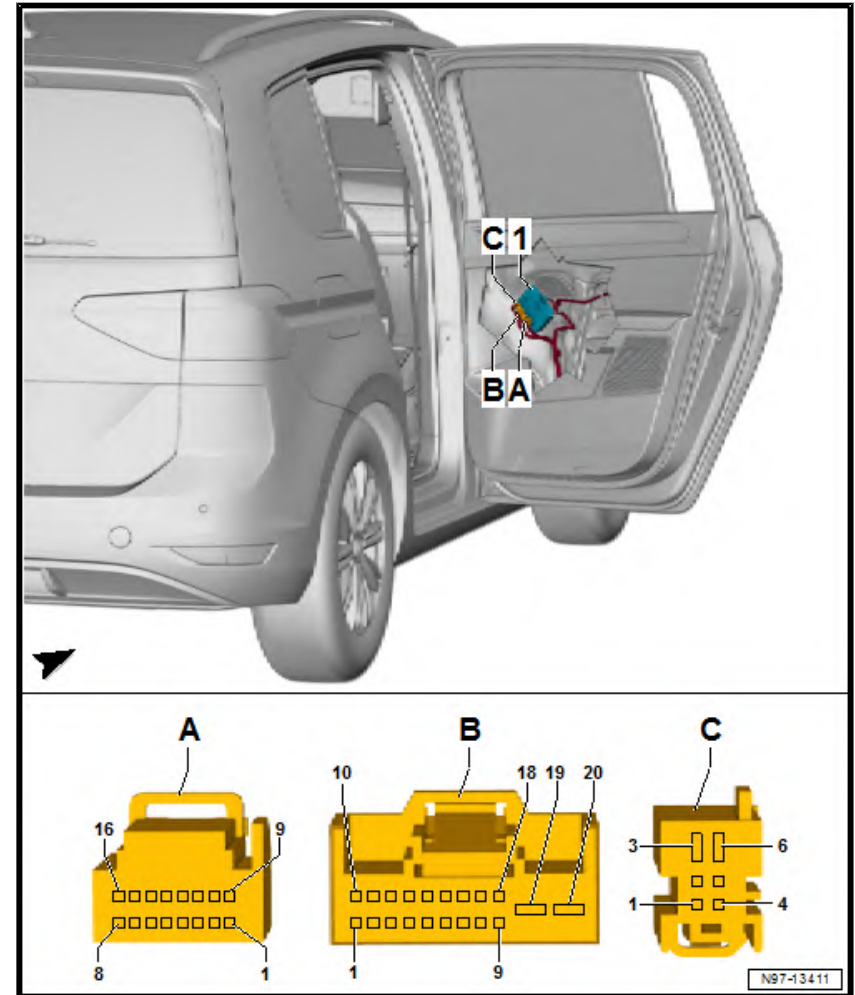


1 - Rear right door control unit -J389-

A - 16-pin connector -T16b-

B - 20-pin connector -T20c-

C - 6-pin connector -T6u-



Connector assignment for rear right door control unit -J389-

-T16b- (A)	Designation	-T20c- (B)	Designation	-T6u- (C)	Designation
1		1		1	
2	Rear right window regulator switch, in door -E54-	2		2	
3		3		3	Rear right window regulator motor -V27-
4		4		4	

-T16b- (A)	Designation		-T20c- (B)	Designation		-T6u- (C)	Designation
5			5	Rear right door contact switch -F11-		5	
6			6	Rear right door central locking actuator for SAFELOCK function -F246-		6	Rear right window regulator motor -V27-
7			7				
8			8				
9	Rear right window regulator switch, in door -E54-		9				
10			10	LIN bus			
11			11	Rear right door central locking motor, lock -V215-			
12	Rear right door warning lamp -W38-		12	Rear right door central locking motor, lock -V215-			
13	Rear right window regulator switch, in door -E54- Rear right door warning lamp -W38-		13	Rear right door central locking motor, lock -V215-			
14			14				
15			15				
16			16				
			17				
			18				
			19	Terminal 30			
			20	Term. 31			

[Back to overview ⇒ page 1](#)

### 1.17 Control unit in dash panel insert -J285-

**Fitting location:**

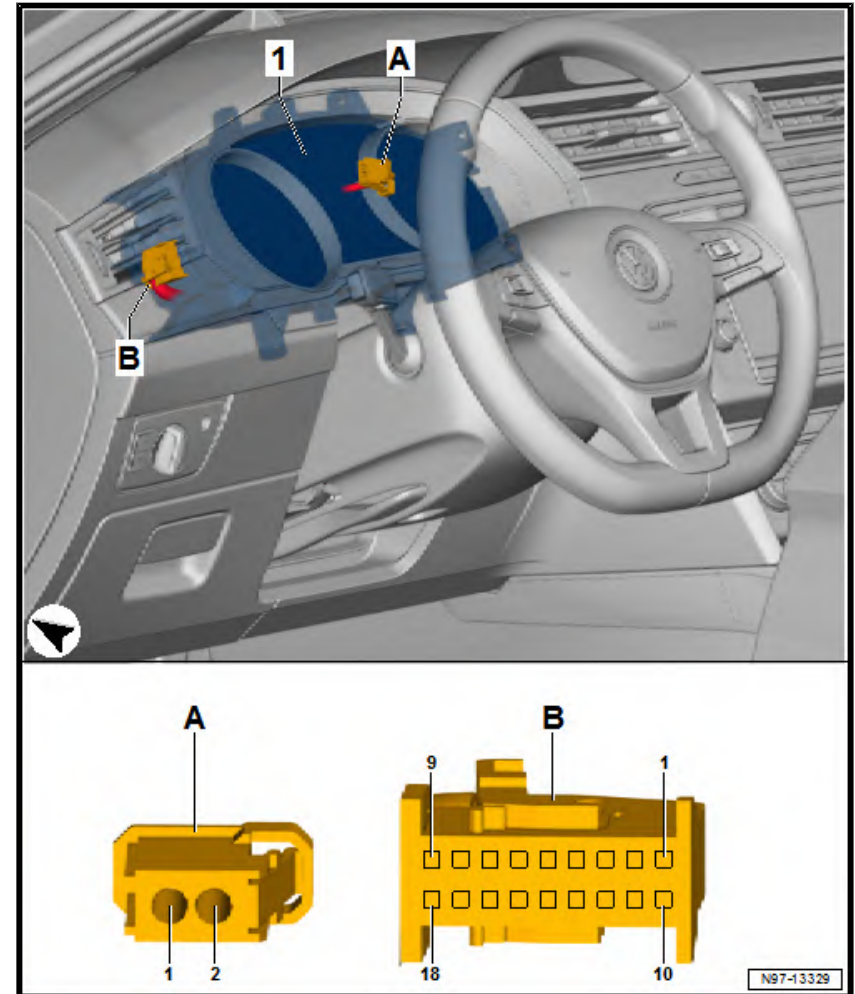
In the dash panel.

1 - Control unit in dash panel insert -J285-

A - 2-pin connector -T2gd-

□ Fibre optic cable (FOC)

B - 18-pin connector -T18-



Volkswagen Technical Site: <http://vwts.ru> <http://vwts.info>

Connector assignment for control unit in dash panel insert -J285-

-T18-(A)	Designation	-T18-(A)	Designation
1	Terminal 30	10	Terminal 31
2		11	Fuel gauge sender -G-
3		12	Fuel gauge sender 2 -G169-
4		13	Fuel gauge sender 2 -G169-

-T18-(A)	Designation		-T18-(A)	Designation
5			14	Fuel gauge sender -G-
6			15	Fuel gauge sender -G-
7			16	B159 Connection (diagnosis), in interior wiring harness
8	Immobiliser reader coil -D2-		17	B507 Connection (convenience CAN bus, low) in interior wiring harness
9	Immobiliser reader coil -D2-		18	B506 Connection (convenience CAN bus, high) in interior wiring harness

Back to overview ⇒ [page 1](#)

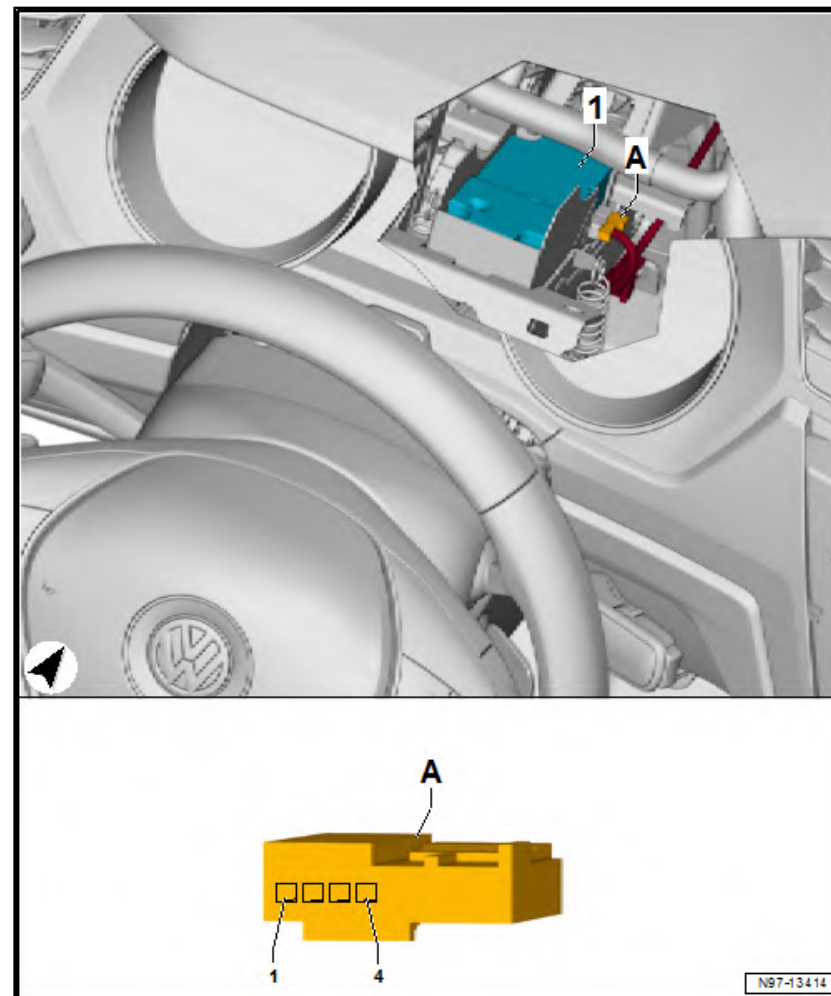
### 1.18 Control unit for electronic steering column lock -J764-

Fitting location:


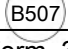
near steering column

1 - Control unit for electronic steering column lock -J764-

A - 4-pin connector -T4dg-



Connector assignment for control unit for electronic steering column lock -J764-

-T4dg- (A)	Designation
1	 B506 Connection (convenience CAN bus, high) in interior wiring harness
2	 B507 Connection (convenience CAN bus, low) in interior wiring harness
3	Term. 30
4	Term. 31

Back to overview ⇒ [page 1](#)

## 1.19 Fuel pump control unit -J538-

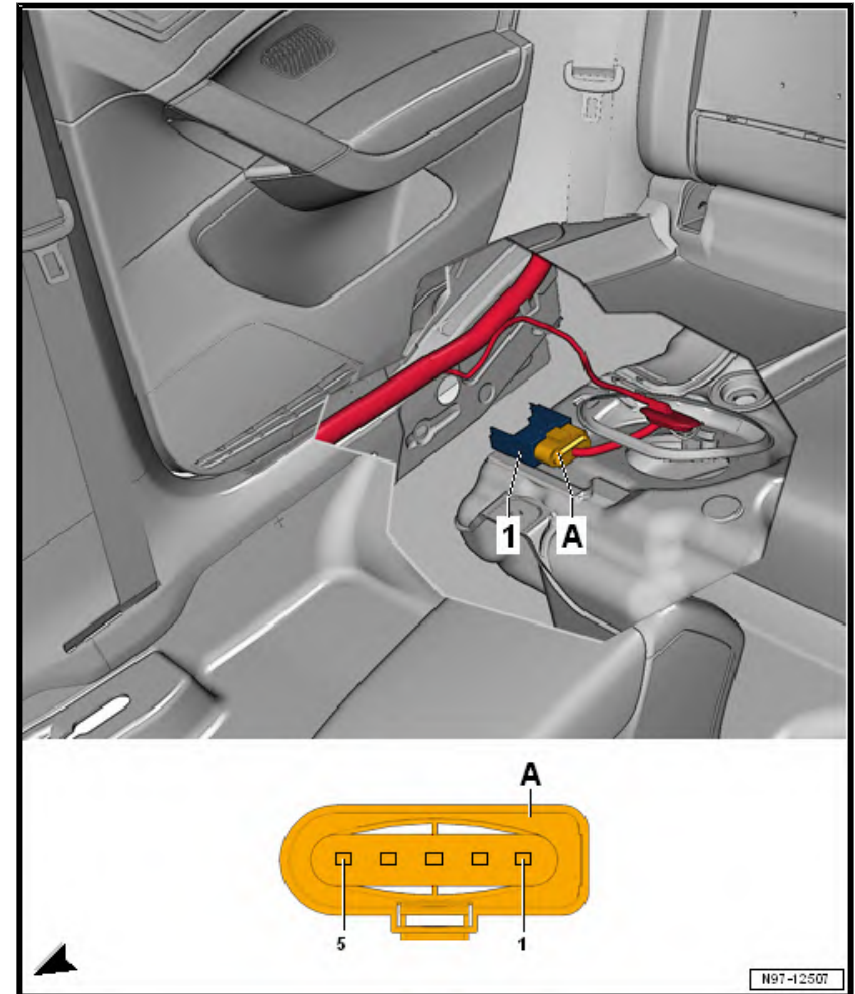
### 1.19.1 Fuel pump control unit -J538- , for models with petrol engine

Fitting location:

Under rear seat bench.

1 - Fuel pump control unit -J538-

A - 5-pin connector -T5av-



**Connector assignment for fuel pump control unit -J538-**

-T5av- (A)	Designation
1	Fuel system pressurisation pump -G6-
2	Fuel system pressurisation pump -G6-
3	Terminal 87
4	Terminal 31

-T5av- (A)	Designation
5	Engine/motor control unit -J623-

Back to overview ⇒ [page 1](#)

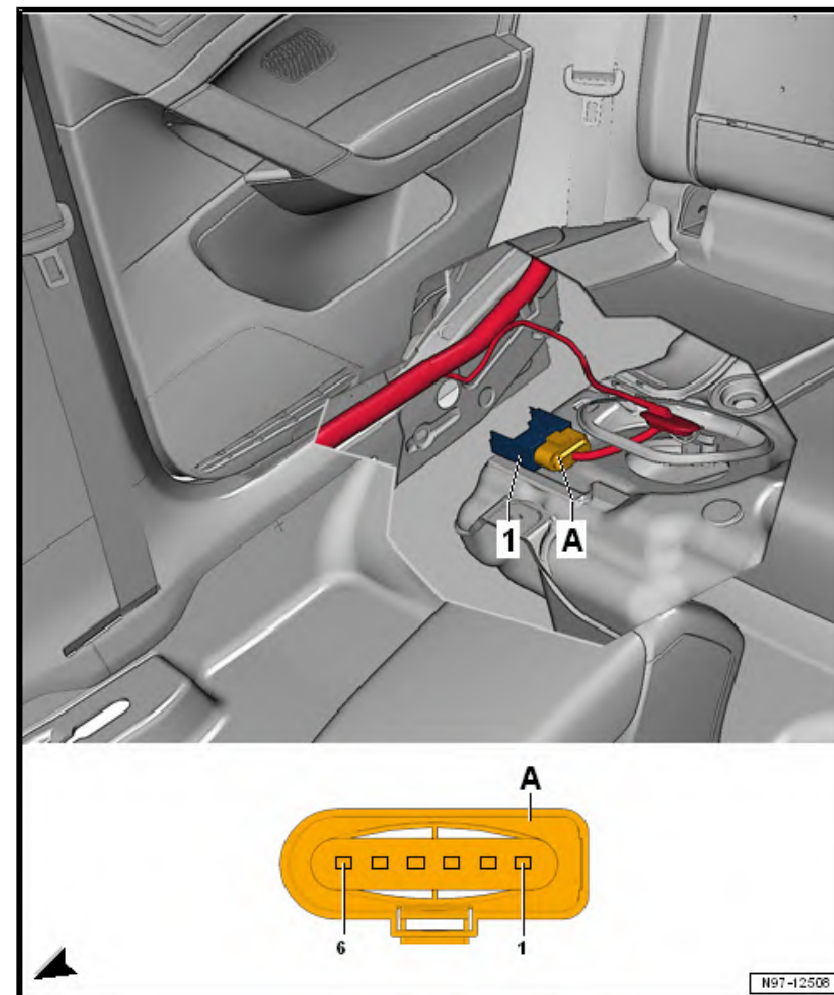
### 1.19.2 Fuel pump control unit -J538- , for models with diesel engine

Fitting location:

Under rear seat bench.

1 - Fuel pump control unit -J538-

A - 6-pin connector -T6ax-





Connector assignment for fuel pump control unit -J538-

-T6ax- (A)	Designation
1	Fuel system pressurisation pump -G6-
2	Fuel system pressurisation pump -G6-
3	Fuel system pressurisation pump -G6-
4	Terminal 31
5	Terminal 87
6	Engine/motor control unit -J623-

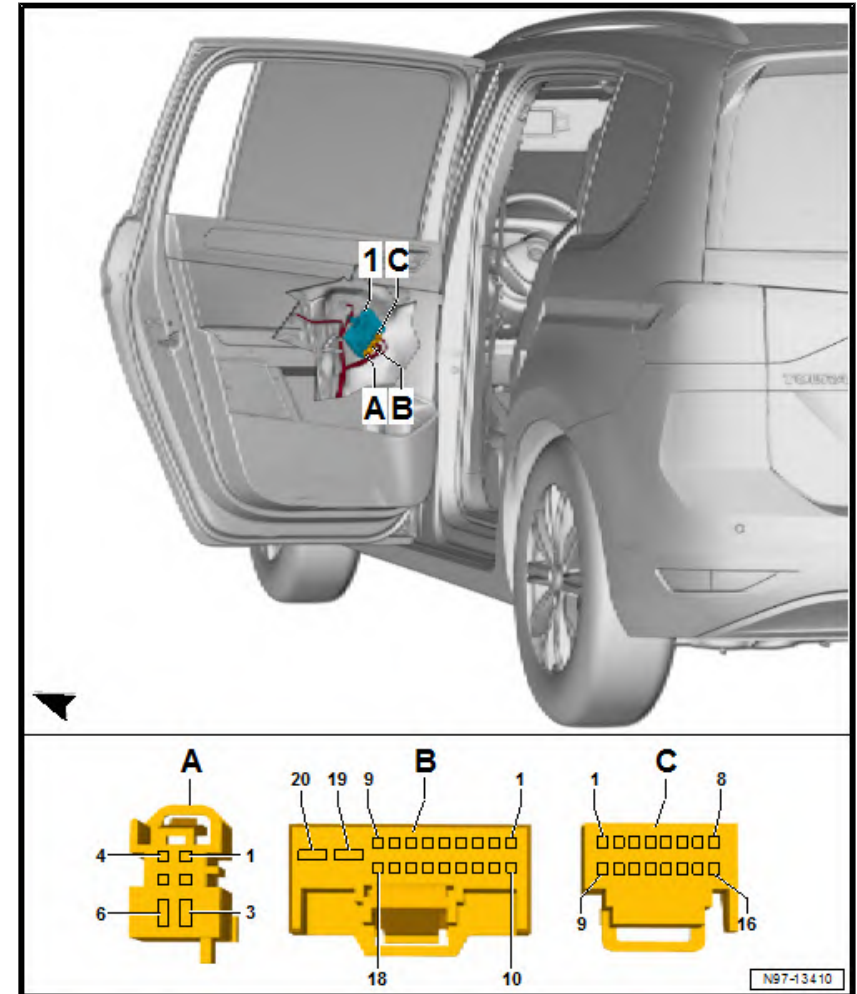
Back to overview ⇒ [page 1](#)

**1.20 Rear left door control unit -J388-**

Fitting location:

In rear left door.

- 1 - Rear left door control unit -J388-
- A - 6-pin connector -T6t-
- B - 20-pin connector -T20b-
- C - 16-pin connector -T16a-



**Connector assignment for rear left door control unit -J388-**

-T16a- (A)	Designation	-T20b- (B)	Designation	-T6t- (C)	Designation
1		1		1	
2		2		2	Rear left window regulator switch, in door -E52-
3	Rear left window regulator motor -V26-	3		3	

-T16a- (A)	Designation		-T20b- (B)	Designation		-T6t- (C)	Designation
4			4			4	
5			5	Rear left door contact switch -F10-		5	
6	Rear left window regulator motor -V26-		6	Rear left door central locking actuator for SAFELOCK function -F245-		6	
			7			7	
			8			8	
			9			9	Rear left window regulator switch, in door -E52-
			10	LIN bus		10	
			11	Rear left door central locking motor, lock -V214-		11	
			12	Rear left door central locking motor, lock -V214-		12	Rear left door warning lamp -W37-
			13	Rear left door central locking motor, lock -V214-		13	Rear left window regulator switch, in door -E52- Rear left door warning lamp -W37-
			14			14	
			15			15	
			16			16	
			17				
			18				
			19	Terminal 30			
			20	Term. 31			

Back to overview ⇒ [page 1](#)

## 1.21 Operating and display unit for rear air conditioning system -E265-

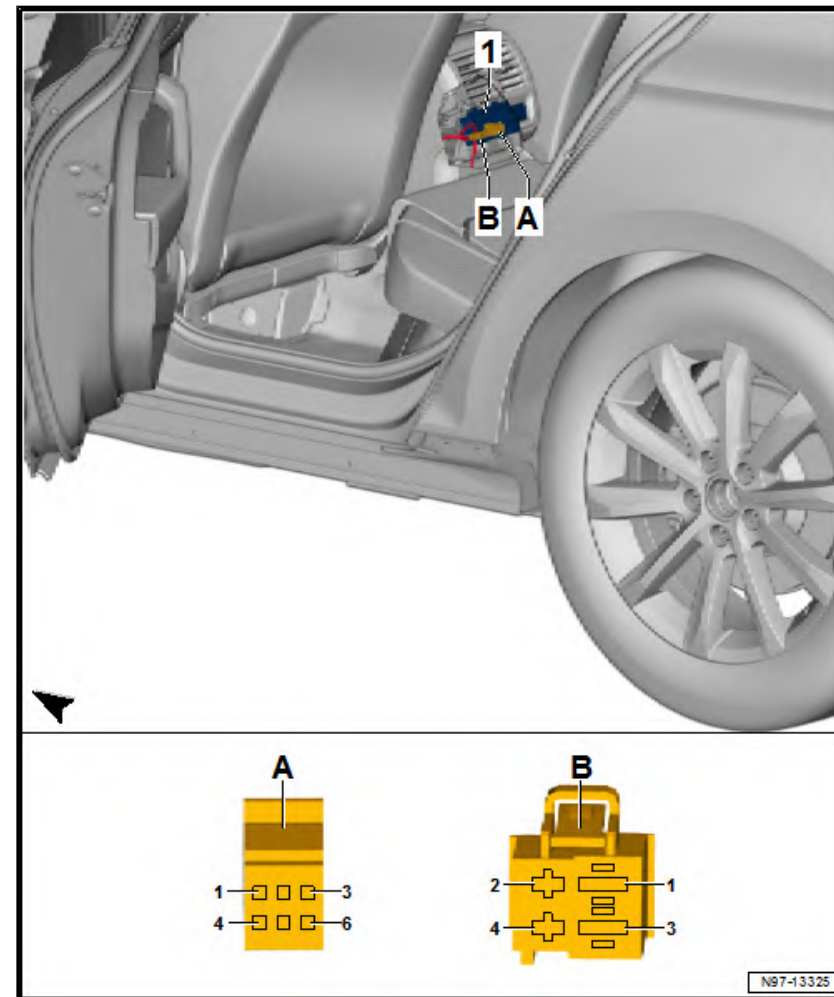
Fitting location:

In rear of centre console.

1 - Operating and display unit for rear air conditioning system -E265-

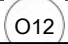
A - 6-pin connector -T6at-

B - 4-pin connector -T4dv-



Connector assignment for operating and display unit for rear air conditioning system -E265-

-T4dv-(A)	Designation	-T6at-(A)	Designation
1		1	(A209) Connection 1 (LIN bus) in dash panel wiring harness
2	Heated bench seat cushion for rear left seat -Z10- <sup>1)</sup> Heated backrest for rear left seat -Z11- <sup>1)</sup>	2	Terminal 30
3		3	Terminal 31

-T4dv- (A)	Designation		-T6at- (A)	Designation
4	Heated bench seat cushion for rear right seat -Z12- <sup>1)</sup> Heated backrest for rear right seat -Z13- <sup>1)</sup>		4	Heated bench seat cushion for rear left seat -Z10- <sup>1)</sup>
			5	Heated bench seat cushion for rear right seat -Z12- <sup>1)</sup>
			6	 Connection 1 in seat heater wiring harness <sup>1)</sup>

<sup>1)</sup> Only models with rear seat heating.

Back to overview ⇒ [page 1](#)

## 1.22 Sliding sunroof adjustment control unit -J245-

### 1.22.1 Sliding sunroof adjustment control unit -J245- , saloon

Fitting location:

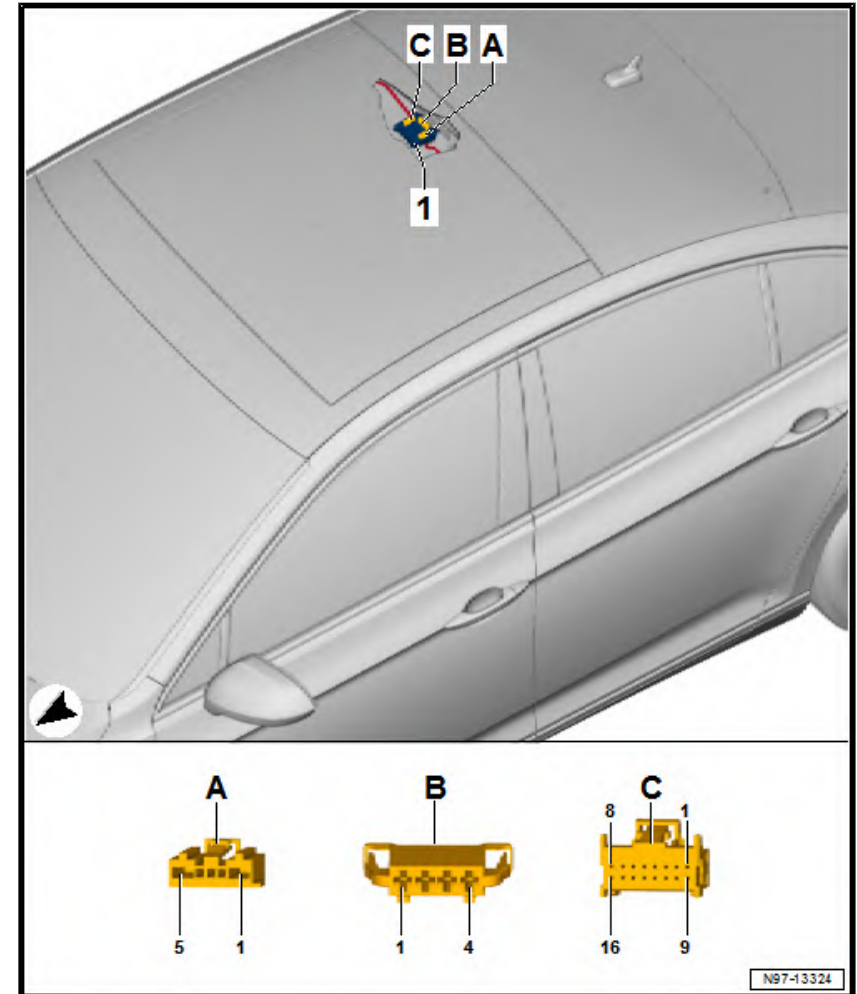
On sliding sunroof.

1 - Sliding sunroof adjustment control unit -J245-


A - 5-pin connector -T5cf-

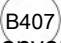
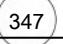
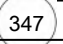
B - 4-pin connector -T4ib-

C - 16-pin connector -T16v-



Connector assignment for sliding sunroof adjustment control unit -J245-

-T5cf- (A)	Designation	-T4ib- (B)	Designation	-T16v- (C)	Designation
1	Terminal 31	1		1	Sliding sunroof motor -V1-
2		2		2	Sliding sunroof motor -V1-
3	 Connection 2 (convenience CAN bus, high) in main wiring harness	3	Sliding sunroof motor -V1-	3	Sliding sunroof motor -V1-

-T5cf- (A)	Designation		-T4ib- (B)	Designation		-T16v- (C)	Designation
4	 Connection 2 (convenience CAN bus, low) in main wiring harness		4	Sliding sunroof motor -V1-		4	Sunroof button -E325-
5	Terminal 30					5	
						6	 Earth connection in roof wiring harness
						7	
						8	
						9	
						10	
						11	Sliding sunroof motor -V1-
						12	Sunroof button -E325-
						13	
						14	
						15	 Earth connection in roof wiring harness
						16	Sunroof button -E325-

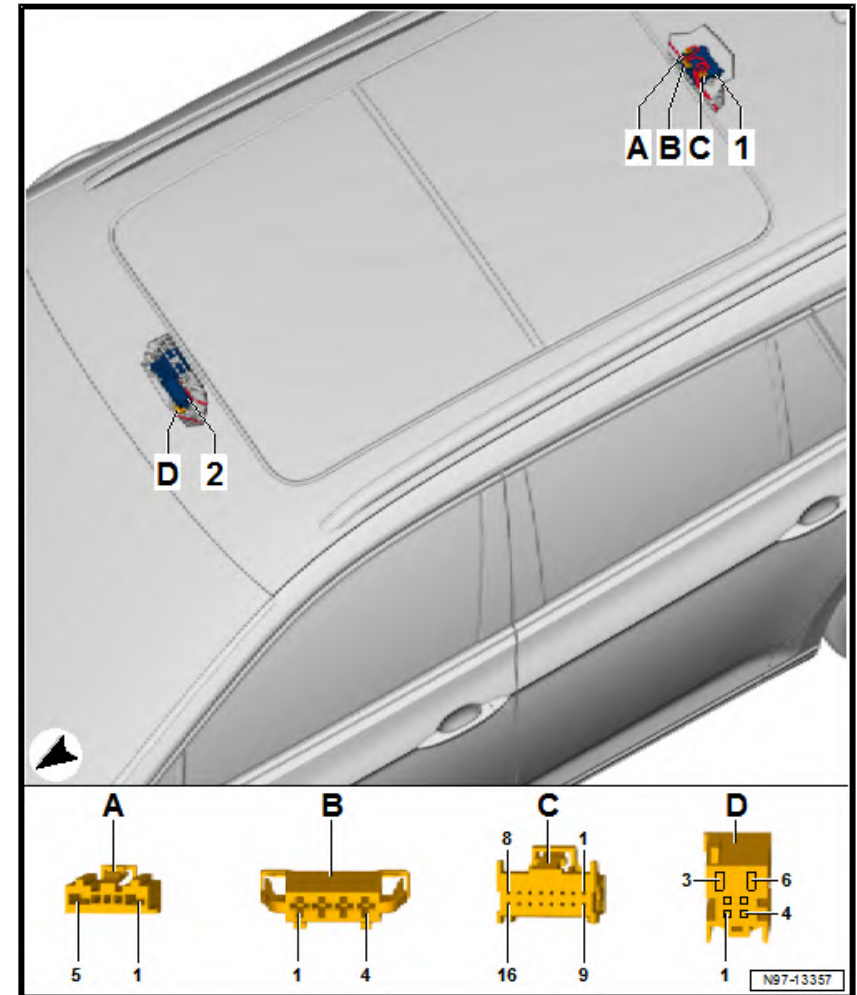
Back to overview [⇒ page 1](#)

### 1.22.2 Sliding sunroof adjustment control unit -J245- / sliding sunroof motor -V1- , estate

Fitting location:

On sliding sunroof.

- 1 - Sliding sunroof adjustment control unit -J245-
- 2 - Sliding sunroof motor -V1-
- A - 5-pin connector -T5cf-
- B - 4-pin connector -T4ib-
- C - 16-pin connector -T16v-
- D - 6-pin connector -T6dc-



**Connector assignment for sliding sunroof adjustment control unit -J245-**

-T5cf- (A)	Designation	-T4ib- (B)	Designation	-T16v- (C)	Designation
1	Terminal 31	1	Sunroof roller blind motor -V260-	1	Sliding sunroof motor -V1-
2		2	Sunroof roller blind motor -V260-	2	Sliding sunroof motor -V1-
3	(B398) Connection 2 (convenience CAN bus, high) in main wiring harness	3	Sliding sunroof motor -V1-	3	(B264) Connection 1, in roof wiring harness



-T5cf- (A)	Designation		-T4ib- (B)	Designation		-T16v- (C)	Designation
4	(B407) Connection 2 (convenience CAN bus, low) in main wiring harness		4	Sliding sunroof motor -V1-		4	Sunroof button -E325-
5	Terminal 30					5	Button 1 for roof roller blind -E584-
						6	(431) Earth connection 2 in roof wiring harness
						7	
						8	
						9	Sunroof roller blind motor -V260-
						10	Sunroof roller blind motor -V260-
						11	Sunroof roller blind motor -V260-
						12	Sunroof button -E325-
						13	
						14	
						16	(B265) Connection 2, in roof wiring harness

Back to overview ⇒ [page 6](#)

### 1.23 Special vehicle control unit -J608- , only for special vehicles

Fitting location:

Under seat on front left.

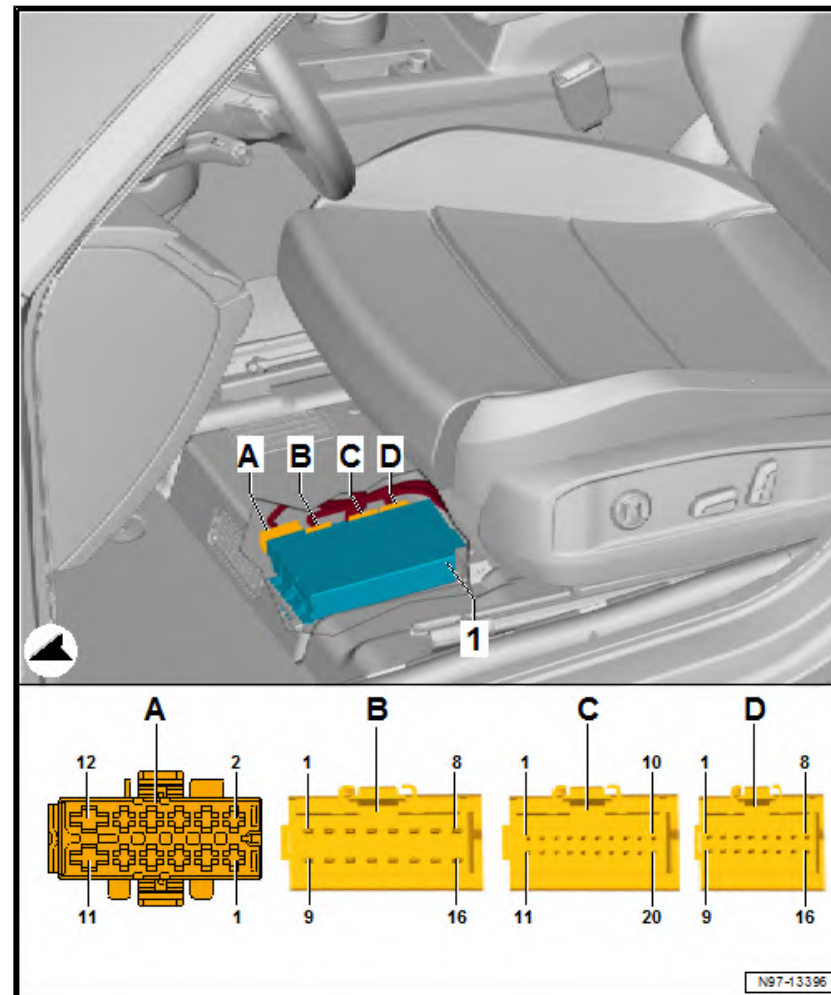
1 - Special vehicle control unit -J608-

A - 12-pin connector -T12aa-

B - 16-pin connector -T16x-

C - 20-pin connector -T20k-

D - 16-pin connector -T16w-



[Back to overview ⇒ page 1](#)

### 1.24 Multifunction steering wheel control unit -J453-

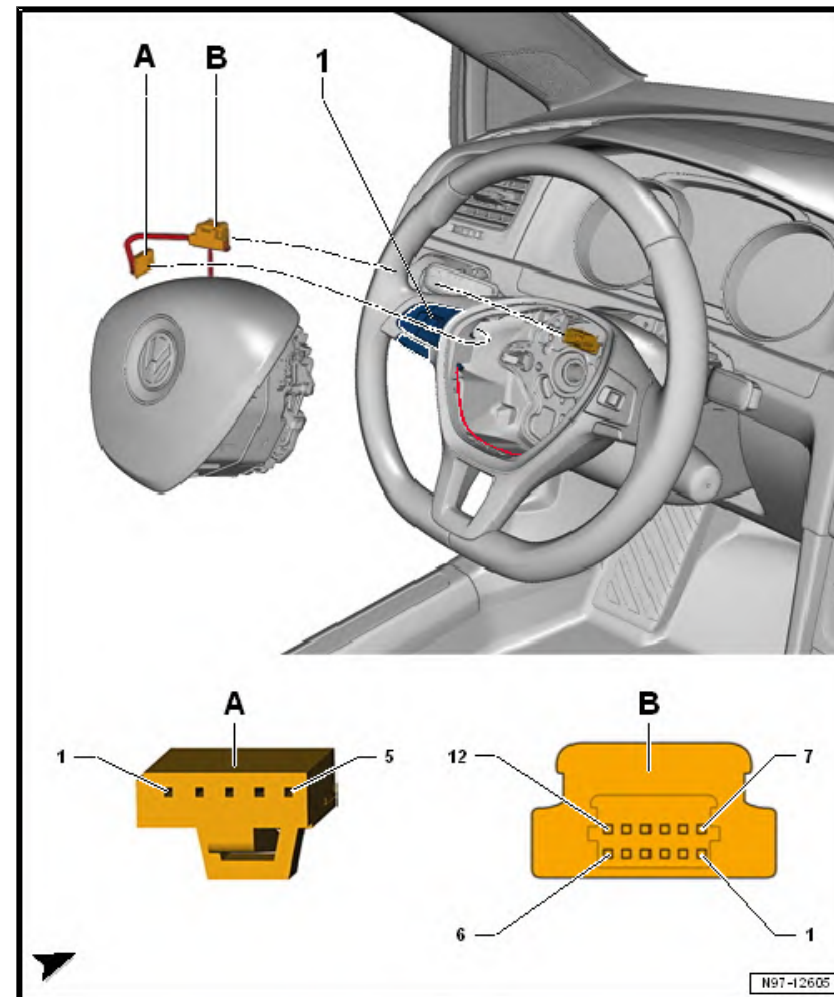
Fitting location:

Inside the operating unit of the multifunction buttons on left in steering wheel -E440-

1 - Multifunction steering wheel control unit -J453-

A - 5-pin connector -T5cg-

B - 12-pin connector -T12ab-



Connector assignment for multifunction steering wheel control unit -J453-

-T5cg- (A)	Designation		-T12ab- (B)	Designation
1	Terminal 31		1	
2	Terminal 30		2	
3	LIN bus		3	Airbag igniter on driver side -N95-
4			4	Airbag igniter on driver side -N95-
5			5	
			6	
			7	Terminal 31
			8	Horn plate -H-
			9	
			10	
			11	
			12	

Back to overview [⇒ page 1](#)

**1.25 Steering column electronics control unit -J527- , from August**

Fitting location:

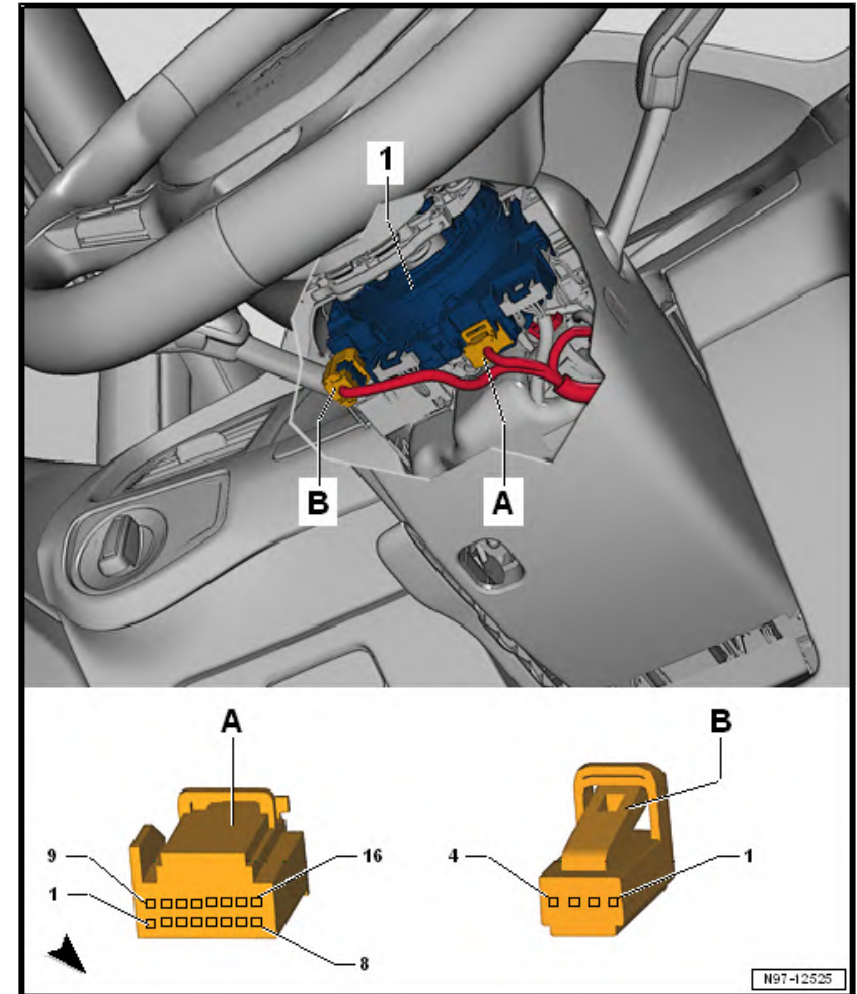
On steering column.

1 - Steering column electronics control unit -J527-

A - 16-pin connector -T16g- , for models with no heated steering wheel

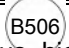
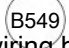
A - 14-pin connector -T14u- , for models with heated steering wheel

B - 4-pin connector -T4dj-

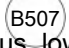
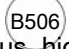
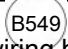


Connector assignment for steering column electronics control unit -J527- , for models with no heated steering wheel

-T16g- (A)	Designation	-T16g- (A)	Designation	-T4dj- (B)	Designation
1	Terminal 30	9		1	Airbag control unit -J234-
2	Terminal 31	10		2	Airbag control unit -J234-
3	(B507) Connection (convenience CAN bus, low) in interior wiring harness	11	Selector lever -E313-	3	

-T16g-(A)	Designation	-T16g-(A)	Designation	-T4dj-(B)	Designation
4	 Connection (convenience CAN bus, high) in interior wiring harness	12		4	
5	Engine/motor control unit -J623-	13			
6		14			
7		15			
8	 Connection 2 (LIN bus), in main wiring harness	16			

Connector assignment for steering column electronics control unit -J527- , for models with heated steering wheel

-T14u-(A)	Designation	-T14u-(B)	Designation	-T4dj-(B)	Designation
1	Terminal 30 for steering wheel heating	8	Terminal 31 for steering wheel heating	1	Airbag igniter on driver side -N95-
2	Terminal 30	9	Selector lever -E313-	2	Airbag igniter on driver side -N95-
3		10		3	
4	Terminal 31	11		4	
5	 Connection (convenience CAN bus, low) in interior wiring harness	12			
6	 Connection (convenience CAN bus, high) in interior wiring harness	13			
7	Engine/motor control unit -J623-	14	 Connection 2 (LIN bus), in main wiring harness		

[Back to overview ⇒ page 1](#)

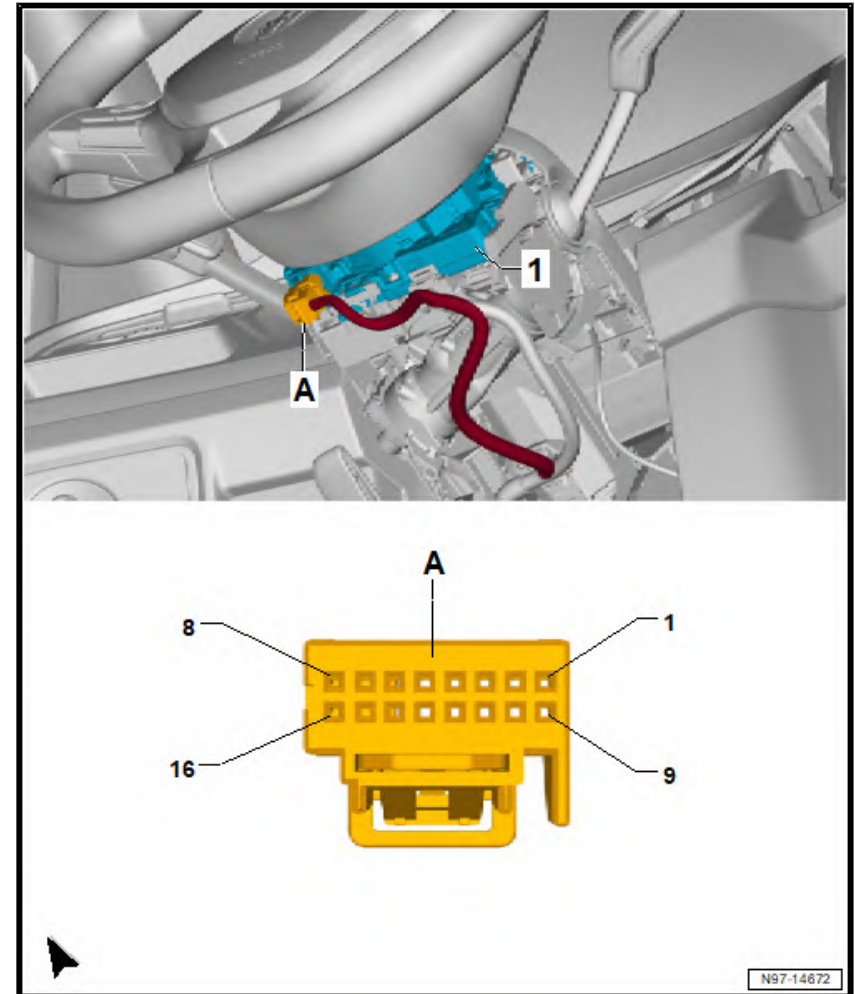
**1.26 Steering column electronics control unit -J527- , for models with no heated steering wheel, from July 2018**

Fitting location:

On steering column.

1 - Steering column electronics control unit -J527-


A - 16-pin connector -T16g-



[Back to overview ⇒ page 1](#)

Connector assignment for steering column electronics control unit -J527- , for models with no heated steering wheel

-T16g- (A)	Designation		-T16g- (A)	Designation
1			9	
2			10	
3			11	Airbag igniter on driver side -N95-
4			12	Airbag igniter on driver side -N95-

-T16g- (A)	Designation		-T16g- (A)	Designation
5	Terminal 31		13	Engine/motor control unit -J623- ◆ Cruise control system
6	Onboard supply control unit -J519- ◆ LIN bus		14	 Connection 2 (LIN bus), in main wiring harness
7	Term. 30		15	
8			16	

Back to overview ⇒ [page 1](#)

**1.27 Steering column electronics control unit -J527- , for models with heated steering wheel, from July 2018**

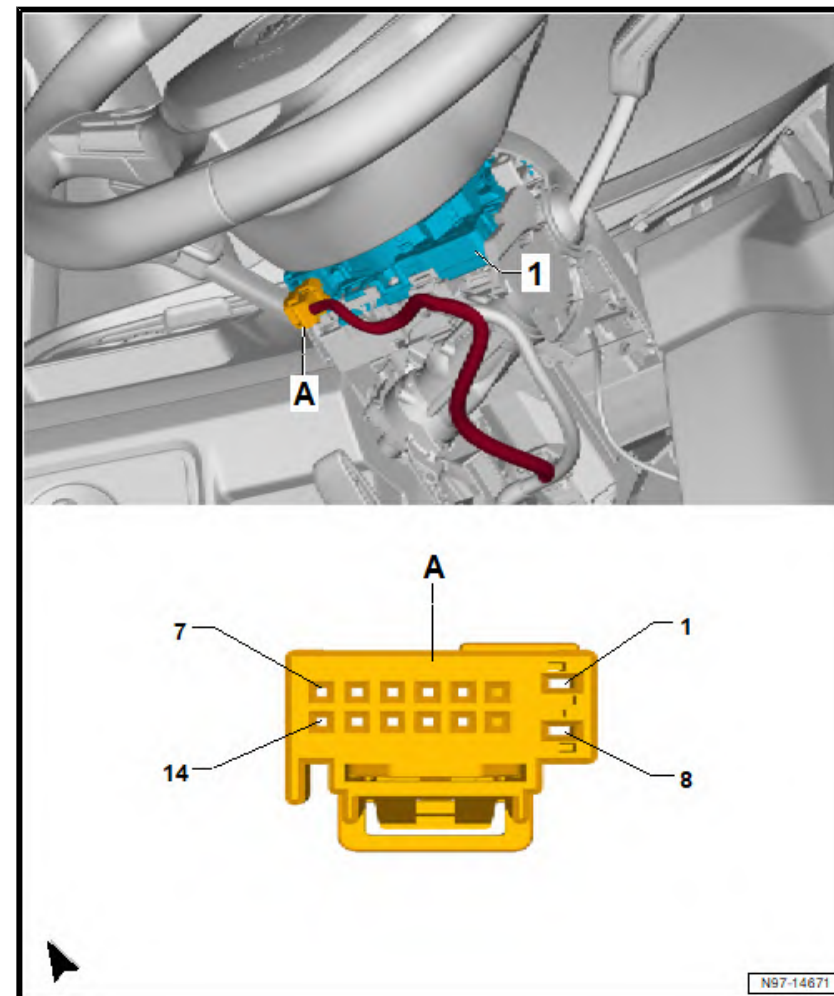
Fitting location:

On steering column.



1 - Steering column electronics control unit -J527-

A - 14-pin connector -T14u-



[Back to overview ⇒ page 1](#)

Connector assignment for steering column electronics control unit -J527- , for models with heated steering wheel

-T14u- (A)	Designation		-T14u- (A)	Designation
1	Terminal 30 ◆ Heated steering wheel		8	Terminal 31 ◆ Heated steering wheel
2			9	Airbag igniter on driver side -N95-

-T14u- (A)	Designation		-T14u- (A)	Designation
3			10	Airbag igniter on driver side -N95-
4	Terminal 31		11	Engine/motor control unit -J623- ◆ Cruise control system
5	Onboard supply control unit -J519- ◆ LIN bus		12	Data bus diagnostic interface -J533- ◆ LIN bus
6	Terminal 30		13	
7			14	

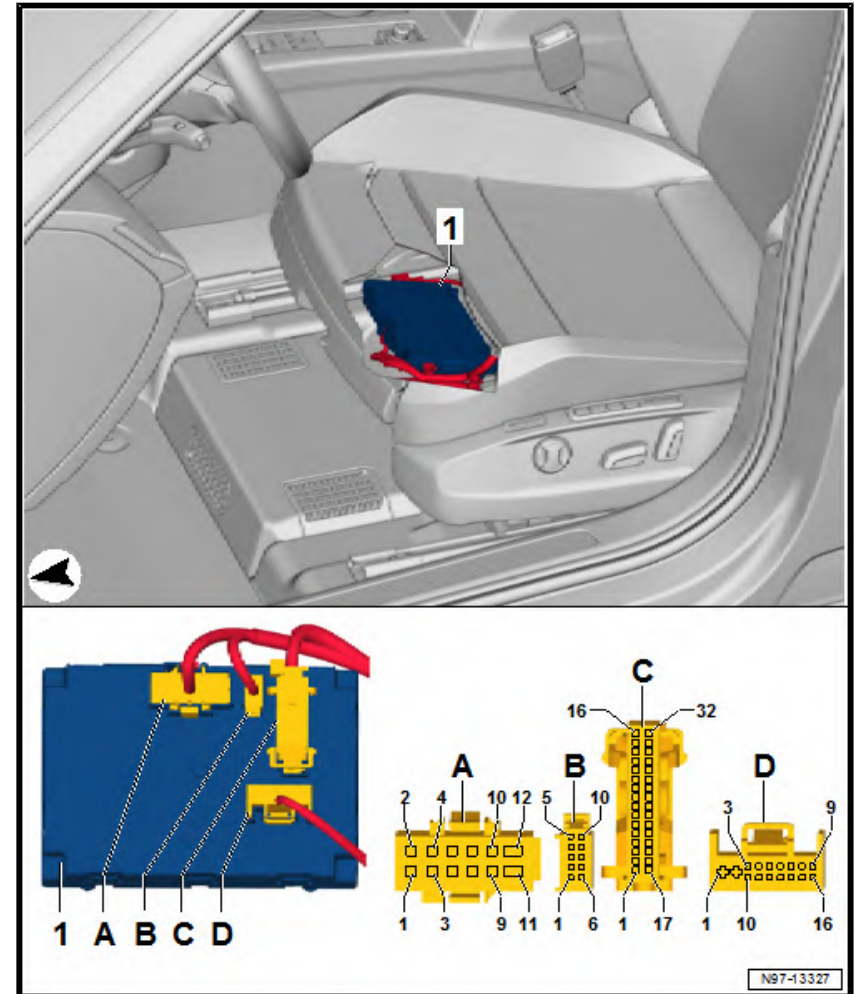
Back to overview ⇒ [page 1](#)

### 1.28 Driver seat adjustment control unit -J810-, left-hand drive models

Fitting location:

Under the seat.

- 1 - Driver seat adjustment control unit -J810-
- A - 12-pin connector -T12a-
- B - 10-pin connector --
- C - 32-pin connector -T32b-
- D - 16-pin connector -T16e-



**Connector assignment of driver seat adjustment control unit -J810-**

-T12a- (A)	Designation	-T16e- (D)	Designation	-T32b- (C)	Designation
1	Driver seat backrest adjustment motor -V45-	1		1	
2		2		2	
3	Driver seat height adjustment motor -V245-	3		3	

-T12a- (A)	Designation		-T16e- (D)	Designation		-T32b- (C)	Designation
4			4	Driver seat lumbar support longitudinal adjustment motor -V125-		4	
5	Driver seat longitudinal adjustment motor -V28-		5			5	
6	Driver seat backrest adjustment motor -V45-		6	Lumbar support height adjustment sender -G374-		6	Lumbar support longitudinal adjustment button -E336-
7	Driver seat rake adjustment motor -V243-		7			7	Lumbar support height adjustment button -E335-
8	Driver seat height adjustment motor -V245-		8			8	
9	Driver seat longitudinal adjustment motor -V28-		9			9	
10	Driver seat rake adjustment motor -V243-		10			10	140 Earth connection 2, in seat adjustment wiring harness
11	Terminal 30a		11	Lumbar support longitudinal adjustment sender -G375-		11	Driver operating unit for memory settings -E464-
12	Terminal 31		12	M9 Connection in adjustable seat wiring harness		12	Seat memory position button 1 -E218- Seat memory position button 2 -E219-
			13	Lumbar support longitudinal adjustment sender -G375-		13	
			14			14	
			15	Driver seat lumbar support height adjustment motor -V129-		15	B407 Connection 2 (convenience CAN bus, low) in main wiring harness
			16	Driver seat lumbar support height adjustment motor -V129-		16	B398 Connection 2 (convenience CAN bus, high) in main wiring harness
						17	
						18	
						19	
						20	
						21	
						22	Backrest adjustment button -E425-
						23	Seat height adjustment button -E424-
						24	
						25	Seat longitudinal adjustment button -E418-
						26	
						27	
						28	Seat memory position button 3 -E220-

-T12a- (A)	Designation		-T16e- (D)	Designation		-T32b- (C)	Designation
						29	
						30	
						31	
						32	

Back to overview ⇒ [page 1](#)

**1.29 Digital sound package control unit -J525-**

Fitting location:

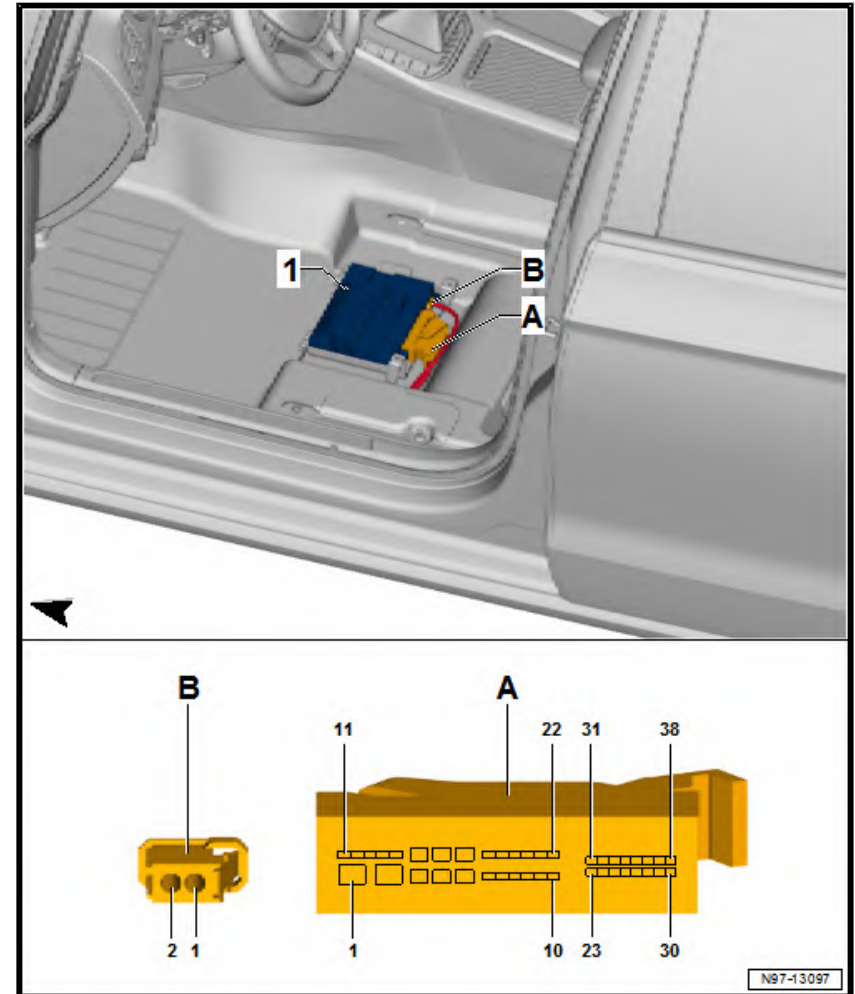
Under driver seat.

1 - Digital sound package control unit -J525-

A - 38-pin connector -T38-

B - 2-pin connector -T2hm-

□ Fibre optic cable (FOC)



Connector assignment for digital sound package control unit -J525-

-T38- (A)	Designation	-T38- (A)	Designation
1	Terminal 30	20	Rear left bass loudspeaker -R15-
2	Terminal 31	21	Rear right bass loudspeaker -R17-
3		22	Rear right bass loudspeaker -R17-
4	Subwoofer -R211-	23	

-T38-(A)	Designation		-T38-(A)	Designation
5	Subwoofer -R211-		24	Front left treble loudspeaker -R20-
6	Centre loudspeaker -R208-		25	Rear left treble loudspeaker -R14-
7	Front left bass loudspeaker -R21-		26	Rear right treble loudspeaker -R16-
8	Front left bass loudspeaker -R21-		27	
9	Front right bass loudspeaker -R23-		28	
10	Front right bass loudspeaker -R23-		29	
11	Front left mid-range loudspeaker -R103-		30	
12	Front left mid-range loudspeaker -R103-		31	
13	Front right mid-range loudspeaker -R104-		32	Front left treble loudspeaker -R20-
14	Front right mid-range loudspeaker -R104-		33	Rear left treble loudspeaker -R14-
15			34	Rear right treble loudspeaker -R16-
16	Subwoofer -R211-		35	
17	Subwoofer -R211-		36	
18	Centre loudspeaker -R208-		37	
19	Rear left bass loudspeaker -R15-		38	Control unit 1 for information electronics -J794-

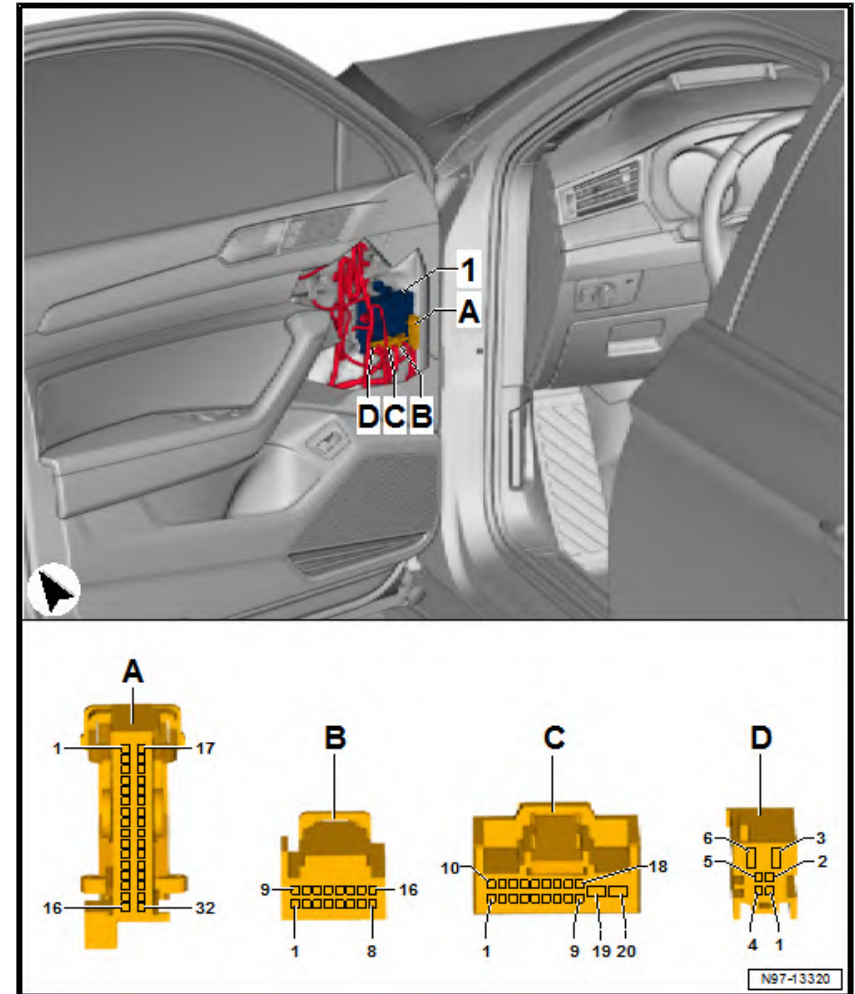
Back to overview ⇒ [page 1](#)

### 1.30 Driver door control unit -J386-

Fitting location:

In driver door.


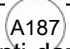


- 1 - Driver door control unit -J386-
- A - 32-pin connector -T32-
- B - 16-pin connector -T16r-
- C - 20-pin connector -T20-
- D - 6-pin connector -T6r-

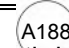


**Connector assignment for driver door control unit -J386-**

-T32- (A)	Designation	-T16r- (B)	Designation	-T20- (C)	Designation	-T6r- (D)	Designation
1	Central locking SAFELOCK function warning lamp -K133-	1	Entry light in exterior mirror, driver side -W52-	1	Driver side contact switch in lock cylinder -F241-	1	
2		2	Driver side automatic anti- dazzle exterior mirror -Y20-	2		2	



-T32-(A)	Designation	-T16r-(B)	Designation	-T20-(C)	Designation	-T6r-(D)	Designation
3		3	Driver side turn signal repeater bulb -L131- Heated exterior mirror on driver side -Z4-	3		3	Left window regulator motor -V14-
4	 Connection 1 (58d), in driver side door wiring harness	4	Driver side exterior mirror -VX4-	4		4	
5	Terminal 31	5	Driver side mirror adjustment motor 2 -V17- Driver side mirror adjustment motor -V149-	5	Driver door contact switch -F2-	5	
6		6	Driver side automatic anti-dazzle exterior mirror -Y20-	6	Driver door central locking actuator for SAFELOCK function -F243-	6	Left window regulator motor -V14-
7		7	Driver side mirror adjustment motor 2 -V17-	7			
8		8	Driver side mirror adjustment motor -V149-	8	 Connection 1 (automatic anti-dazzle exterior mirror) in dash panel wiring harness		
9		9	Driver side fold-in mirror motor -V121-	9			
10		10	Driver side fold-in mirror motor -V121-	10	Rear left door control unit -J388-		
11		11	Driver side turn signal repeater bulb -L131-	11	Driver door central locking motor -V56- Driver door central locking SAFELOCK function motor -V161-		
12	Operating unit for window regulator in driver door -E512-	12		12	Driver door central locking SAFELOCK function motor -V161-		
13	Driver side interior locking button for central locking system -E308-	13	Driver side exterior mirror -VX4-	13	Driver door central locking motor -V56-		
14		14	Driver side exterior mirror -VX4-	14	 Connection (convenience CAN-bus, low) in interior wiring harness		
15		15	Heated exterior mirror on driver side -Z4-	15	 Connection (convenience CAN-bus, high) in interior wiring harness		
16	Driver side door warning lamp -W30-	16	Driver side exterior mirror -VX4-	16			

-T32-(A)	Designation	-T16r-(B)	Designation	-T20-(C)	Designation	-T6r-(D)	Designation
17				17	 Connection 2 (automatic anti-dazzle exterior mirror) in dash panel wiring harness		
18				18			
19				19	Terminal 30		
20				20	Terminal 31		
21							
22							
23	Rear lid remote release button -E233-						
24	Exterior mirror adjuster -EX11-						
25	Exterior mirror adjuster -EX11-						
26							
27	Operating unit for window regulator in driver door -E512-						
28	Driver side interior locking button for central locking system -E308-						
29	Operating unit for window regulator in driver door -E512-						
30	Operating unit for window regulator in driver door -E512-						
31	Operating unit for window regulator in driver door -E512-						
32	Operating unit for window regulator in driver door -E512-						

Back to overview ⇒ [page 1](#)

### 1.31 Onboard supply control unit -J519-

Fitting location:

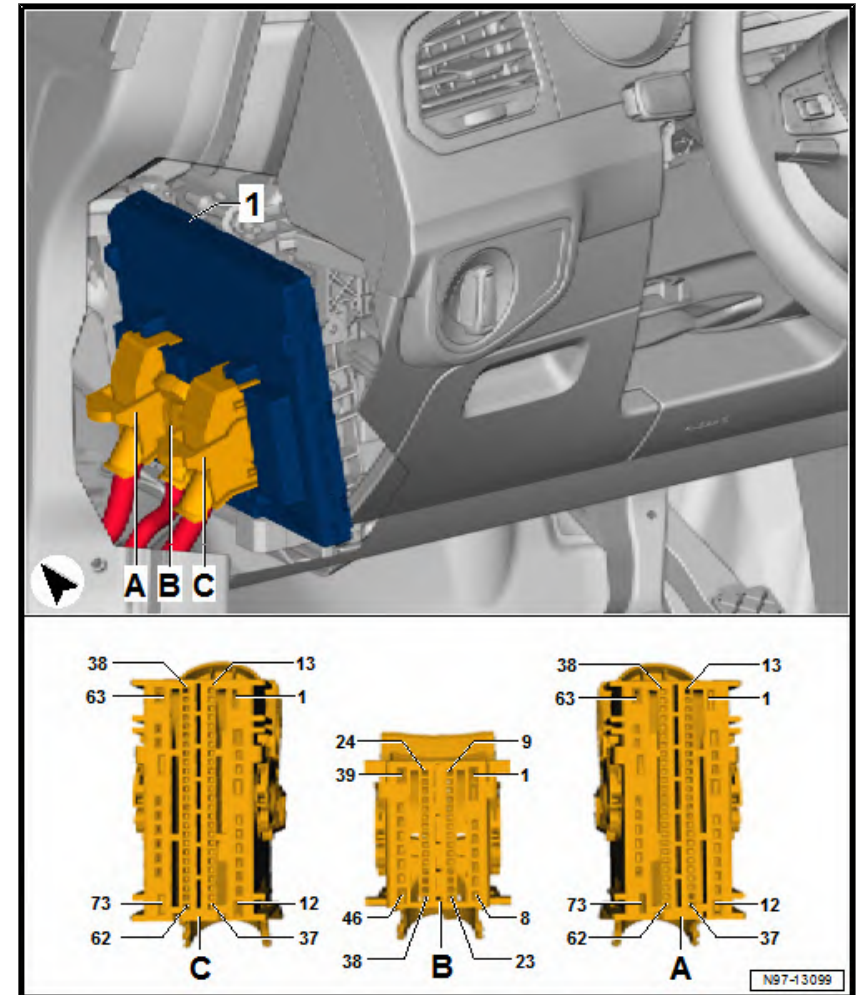
Behind dash panel on left.

1 - Onboard supply control unit -J519-

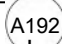
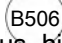
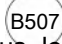
A - 73-pin connector -T73a-

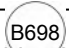
B - 46-pin connector -T46b-


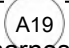
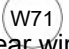
C - 73-pin connector -T73c-



**Connector assignment for onboard supply control unit -J519-**

-T73a-(A)	Designation	-T46b-(B)	Designation	-T73c-(C)	Designation
1	Terminal 30	1	Right headlight dipped beam bulb -M31-	1	Terminal 30 left light supply
2	Heated seat cushion for driver seat -Z6-	2	Right headlight main beam bulb -M32-	2	
3	Fuel tank filler flap central locking actuator -F219-	3		3	Left tail light bulb -M4-
4	Fuel tank filler flap central locking actuator -F219-	4	Left daytime running light bulb -L174-	4	Terminal 15
5	Heated seat cushion for front passenger seat -Z8-	5	Right fog light bulb -L23-	5	Left headlight dipped beam bulb -M29-
6	Rear right door central locking motor, lock -V215-	6		6	
7	Rear right door central locking motor, lock -V215-	7	Washer pump -V5-	7	
8		8	Washer pump -V5-	8	Right brake light bulb -M10-
9	Rear lid central locking motor -V53-	9	Left washer jet heater element -Z20- Right washer jet heater element -Z21-	9	Right tail light bulb -M2-
10		10	Front left headlight -MX1-	10	Left brake and tail light bulb -M21-
11		11	Reversing light switch -F4-	11	
12	Term. 31	12	Front right brake pad wear sender -G35-	12	Glove compartment light switch -E26- Luggage compartment light -W3- Front interior light -WX1-
13	Terminal 15 voltage supply relay -J329-	13	Brake fluid level warning contact -F34-	13	
14	 Positive connection 3 (15a) in dash-panel wiring harness	14	Bonnet contact switch -F387-	14	Interface for entry and start system -J965-
15	Anti-theft alarm sensor -G578-	15		15	
16	 Connection (convenience CAN bus, high) in interior wiring harness	16	Coolant shortage indicator sender -G32-	16	
17	 Connection (convenience CAN bus, low) in interior wiring harness	17		17	
18		18		18	
19		19	Ambient temperature sensor -G17- , - Coolant shortage indicator sender -G32- , - Windscreen washer fluid level sender -G33- , -	19	
20		20	Front right turn signal bulb -M7-	20	
21		21	Front right headlight -MX2-	21	Driving mode selection button -E735-

-T73a- (A)	Designation	-T46b- (B)	Designation	-T73c- (C)	Designation
22	Rear left vehicle level sender -G76- 1)	22	Front right headlight -MX2-	22	
23	Rear left vehicle level sender -G76- 1)	23	Front left headlight -MX1-	23	
24		24	Horn relay -J413-	24	Heated rear window relay -J9-
25		25		25	
26		26	Heated windscreen relay -J47-	26	
27		27	Ambient temperature sensor -G17-	27	
28		28	Windscreen washer fluid level sender -G33-	28	Rotary light switch -EX1-
29	Rotary light switch -EX1-	29		29	Interior mirror -EX5- Front interior light -WX1- Rear interior light -WX2-
30		30	Wiper motor control unit -J400-	30	
31		31	Alarm horn -H12-	31	Rear right turn signal bulb -M8-
32	Rear lid handle release button -E234-	32	Right daytime running light bulb -L175-	32	Warning lamp for deactivation of interior monitoring and vehicle inclination -K248-
33	Rear right door central locking actuator for SAFELOCK function -F246-	33		33	
34		34		34	Driving mode selection button -E735-
35	Rear left door central locking actuator for SAFELOCK function -F245-	35		35	
36	Rear left door central locking motor, lock -V214- , safe +	36	Front left turn signal bulb -M5-	36	
37	Rear right door central locking motor, lock -V215- , safe +	37		37	
38		38		38	
39		39	Left headlight main beam bulb -M30-	39	
40		40		40	Front right seat temperature sender -G345-
41		41		41	
42	 Connection 3 (LIN bus), in main wiring harness	42		42	Hazard warning light switch -EX3-
43		43		43	Front left seat temperature sender -G344-
44	Interface for entry and start system -J965-	44		44	
45		45	Left fog light bulb -L22-	45	
46	Light switch -E1- , 0 position	46	Headlight washer system pump -V11-	46	

-T73a-(A)	Designation	-T46b-(B)	Designation	-T73c-(C)	Designation
47	Interface for entry and start system -J965-			47	
48	Rear right door contact switch -F11-			48	Indicator lamp for hazard warning light -K6-
49				49	
50	Rear left door contact switch -F10-			50	
51	Button for deactivating interior monitoring and vehicle inclination sensor -E616-			51	Start/Stop operation button -E693-
52	Rear lid lock unit -F256-			52	
53	Terminal 31			53	
54	Interface for entry and start system -J965-			54	
55				55	
56				56	Front left seat temperature sender -G344-
57	High-level brake light bulb -M25-			57	Rear left vehicle level sender -G76- <sup>1)</sup>
58				58	 Connection (brake system monitor), in interior wiring harness
59	Left number plate light -X4- Right number plate light -X5-			59	
60	Rear left turn signal bulb -M6-			60	Start/Stop operation button -E693-
61	Rear window wiper motor -V12-			61	
62	Rear window wiper motor -V12-			62	 Connection (58d), in dash panel wiring harness
63	Terminal 31			63	Terminal 31
64	 Connection (reversing light) in rear wiring harness			64	
65	Right brake and tail light bulb -M22-			65	
66	Terminal 30, right light supply			66	
67				67	Front interior light -WX1-
68	Rear left door central locking motor, lock -V214-			68	
69	Rear left door central locking motor, lock -V214-			69	
70				70	
71	Left brake light bulb -M9-			71	

-T73a- (A)	Designation	-T46b- (B)	Designation	-T73c- (C)	Designation
72	Rear left fog light bulb -L46- Rear right fog light bulb -L47-			72	Front left footwell light -K268- Front right footwell light -K269-
73	Terminal 30, central locking supply			73	Terminal 30

1) According to equipment

**Back to overview** ⇒ [page 1](#)

### 1.32 Parking aid control unit -J446- / park assist steering control unit -J791-

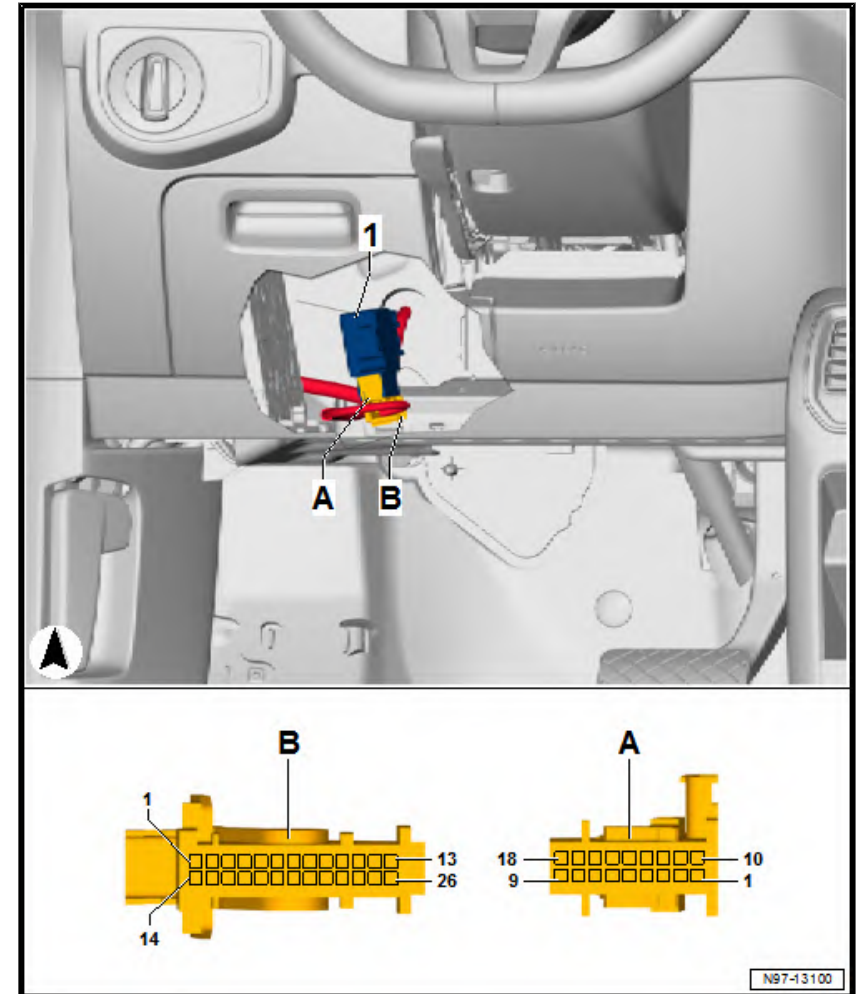
**Fitting location:**

Behind dash panel on driver side.

1 - Parking aid control unit -J446- / park assist steering control unit -J791-

A - 18-pin connector -T18c-

B - 26-pin connector -T26-



Connector assignment for parking aid control unit -J446- / park assist steering control unit -J791-

-T18c- (A)	Designation	-T26- (B)	Designation
1		1	
2	Front left sender for park assist steering on left side of vehicle -G568-	2	Front parking aid warning buzzer -H22-
3	Front centre left parking aid sender -G254-	3	
4	Front right parking aid sender -G252-	4	Warning light for park assist steering -K241-



-T18c-(A)	Designation	-T26-(B)	Designation
5		5	
6		6	Rear left parking aid sender -G203-
7		7	Rear centre right parking aid sender -G205-
8		8	Rear right park assist steering sender -G717-
9		9	Rear parking aid warning buzzer -H15-
10	348 Earth connection (parking aid), in front bumper wiring harness	10	Front parking aid warning buzzer -H22-
11	Front left parking aid sender -G255-	11	
12	Front centre right parking aid sender -G253-	12	
13	Front right sender for park assist steering on right side of vehicle -G569-	13	Terminal 31
14	X151 Connection (5V), in front bumper wiring harness	14	A199 Positive connection 4 (15a) in dash panel wiring harness
15		15	Rear parking aid warning buzzer -H15-
16		16	Parking aid button -E266-
17		17	Parking aid warning lamp -K136-
18		18	X149 Connection (5V), in rear bumper wiring harness
		19	Rear left park assist steering sender -G716-
		20	Rear centre left parking aid sender -G204-
		21	Rear right parking aid sender -G206-
		22	352 Earth connection (parking aid), in rear bumper wiring harness
		23	B664 Connection (running gear sensors CAN bus, low) in main wiring harness
		24	B663 Connection (running gear sensors CAN bus, high) in main wiring harness
		25	
		26	

[Back to overview ⇒ page 1](#)

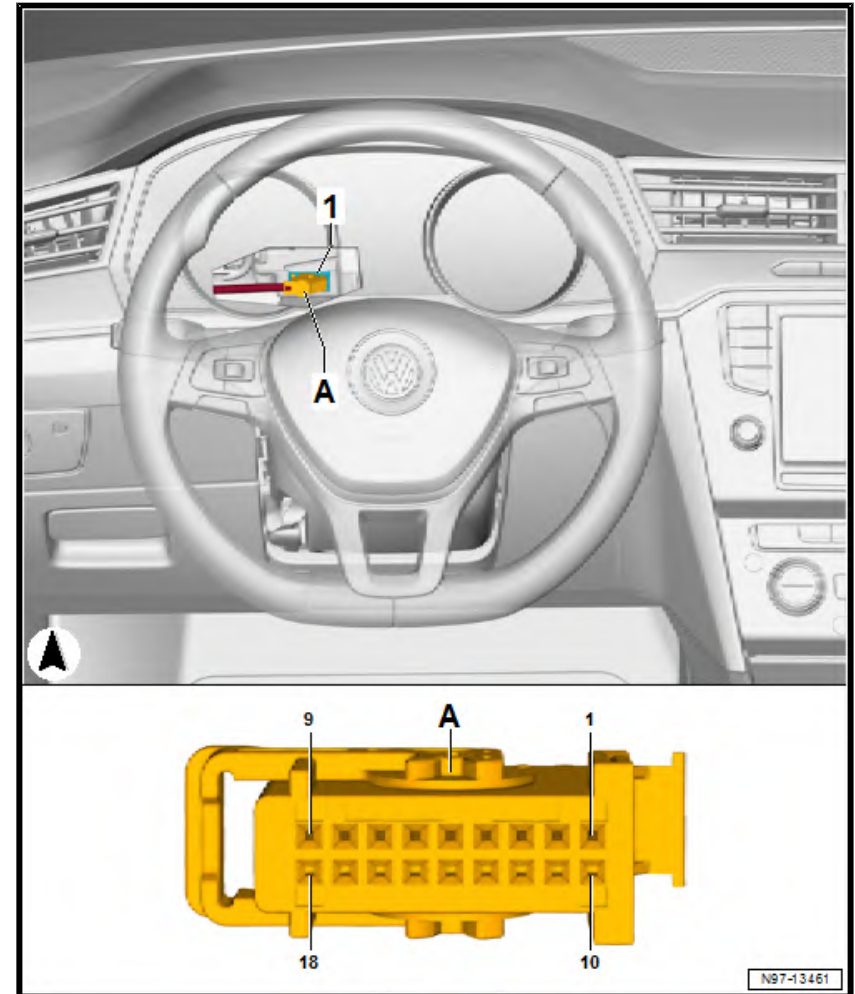
### 1.33 Control unit for Head-up Display -J898-

Fitting location:

behind dash panel


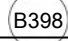
1 - Control unit for Head-up Display -J898-

A - 18-pin connector -T18a-



**Connector assignment for control unit for Head-up Display -J898-**

-T18a- (A)	Designation
1	Term. 30
2	Open and close display motor -V301-
3	
4	
5	Switch for head-up display -E736-

-T18a- (A)	Designation
6	Switch for head-up display -E736-
7	Switch for head-up display -E736-
8	Switch for head-up display -E736-
9	Term. 31
10	Term. 30
11	Open and close display motor -V301-
12	Open and close display motor -V301-
13	Open and close display motor -V301-
14	Open and close display motor -V301-
15	Open and close display motor -V301-
16	 B407 Connection 2 (convenience CAN bus, low) in main wiring harness
17	 B398 Connection 2 (convenience CAN bus, high) in main wiring harness
18	Term. 31

Back to overview ⇒ [page 1](#)

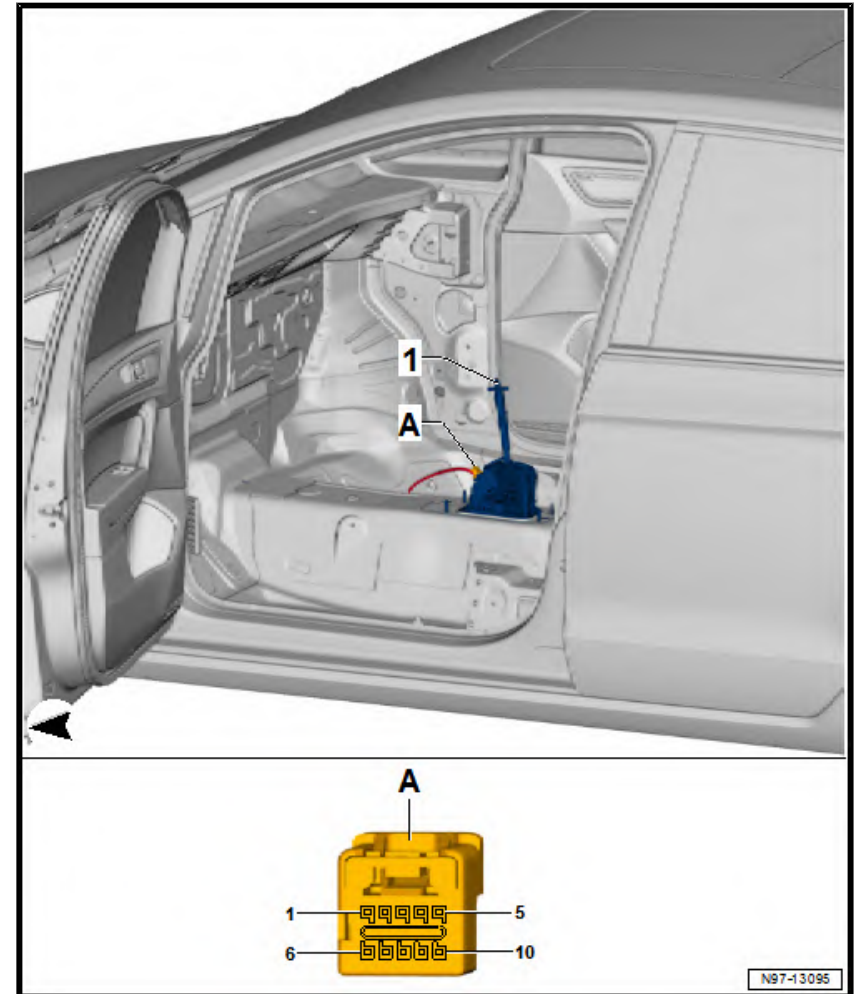
### 1.34 Selector lever -E313-

Fitting location:

In centre console, on selector lever bracket.

1 - Selector lever -E313-

A - 10-pin connector -T10ah-



Connector assignment for selector lever -E313-

-T10ah- (A)	Designation
1	Terminal 31
2	Steering column electronics control unit -J527-
3	
4	
5	A19 Connection (58d), in dash panel wiring harness

-T10ah- (A)	Designation
6	
7	B383 Connection 1 (powertrain CAN bus, high) in main wiring harness
8	B390 Connection 1 (powertrain CAN bus, low) in main wiring harness
9	A192 Positive connection 3 (15a) in dash panel wiring harness
10	A164 Positive connection 2 (30a) in dash panel wiring harness

Back to overview ⇒ [page 1](#)

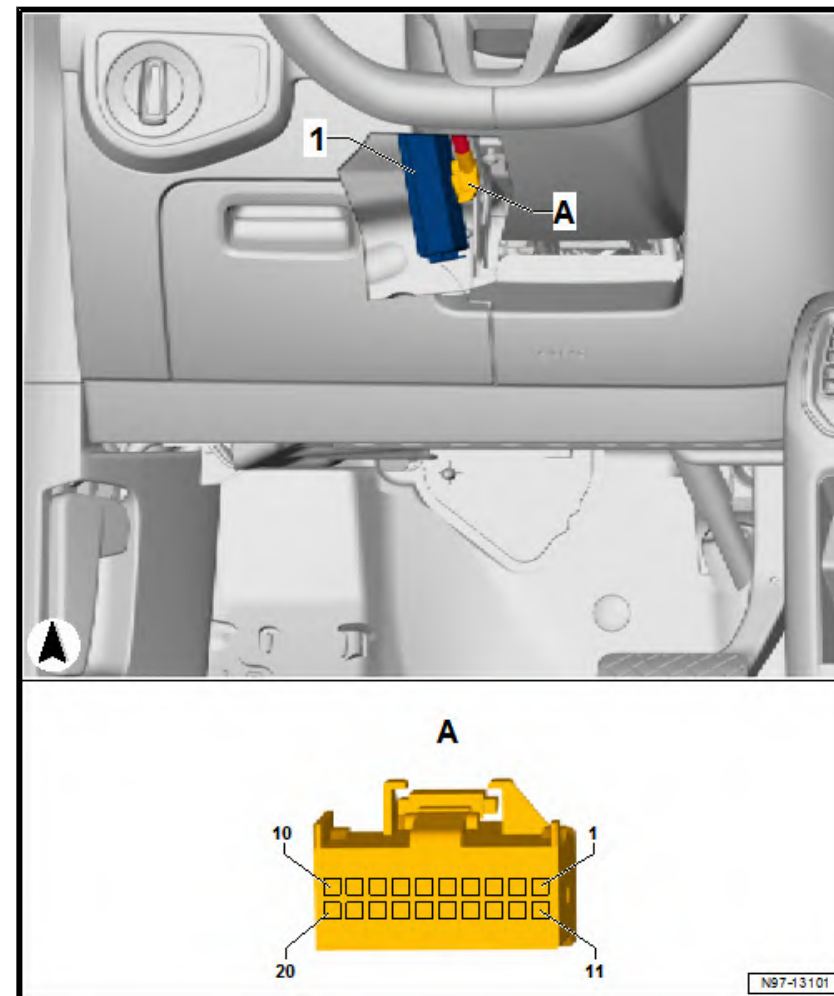
### 1.35 Data bus diagnostic interface -J533-

Fitting location:

Under the dash panel.

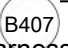
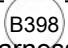
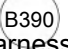
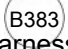




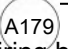
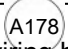
1 - Data bus diagnostic interface -J533-

A - 20-pin connector -T20e-



Connector assignment for data bus diagnostic interface -J533-

-T20e- (A)	Designation		-T20e- (A)	Designation
1	Terminal 30		11	Terminal 31
2	Terminal 30 <sup>1),2)</sup>		12	Terminal 31
3			13	<b>B549</b> Connection 2 (LIN bus), in main wiring harness
4			14	Terminal 15

-T20e- (A)	Designation		-T20e- (A)	Designation
5	 B407 Connection 2 (convenience CAN bus, low) in main wiring harness		15	 B398 Connection 2 (convenience CAN bus, high) in main wiring harness
6	 B390 Connection 1 (powertrain CAN bus, low) in main wiring harness		16	 B383 Connection 1 (powertrain CAN bus, high) in main wiring harness
7	 B109 Connection 1 (CAN bus extended, low) in main wiring harness		17	 B108 Connection 1 (CAN bus extended, high), in main wiring harness
8	 B664 Connection (running gear sensors CAN bus, low) in main wiring harness		18	 B663 Connection (running gear sensors CAN bus, high) in main wiring harness
9	Diagnostic connection -U31-		19	Diagnostic connection -U31-
10	 A179 Connection (Infotainment CAN bus, low), in dash panel wiring harness		20	 A178 Connection (infotainment CAN bus, high), in dash panel wiring harness

<sup>1</sup> Only models with no start/stop system

<sup>2</sup>) Only models with auxiliary air heater

[Back to overview](#) ⇒ [page 1](#)

## 1.36 Control unit for cornering light and headlight range control -J745-

### 1.36.1 Control unit for cornering light and headlight range control -J745-

Fitting location:

Behind dash panel on driver side.

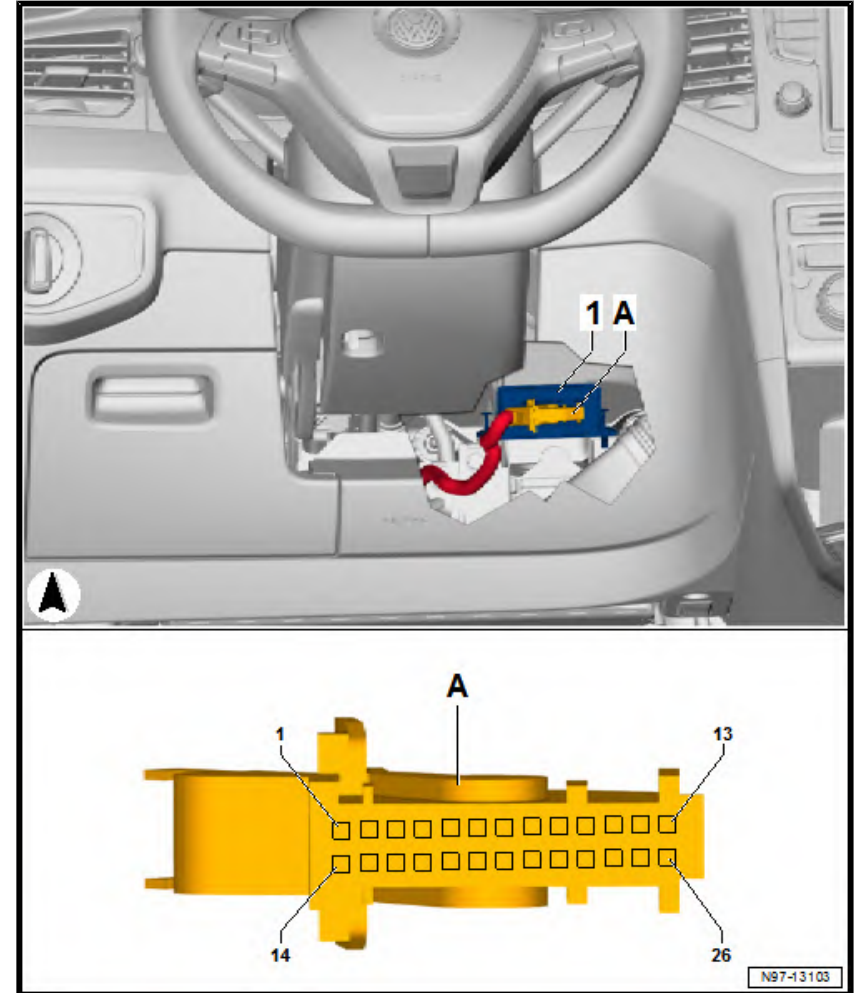
1 - Control unit for cornering light and headlight range control -J745-

A - 26-pin connector -T26d-


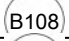

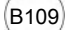
- Only models with automatic headlight control

A - 26-pin connector -T26e-

- Only models without automatic headlight control



Connector assignment for control unit for cornering light and headlight range control -J745-

-T26d/e- (A)	Designation	-T26d/e- (A)	Designation
1		14	
2	 Connection 2 (CAN bus extended, high) in main wiring harness <sup>1)</sup>  Connection 1 (CAN bus extended, high) in main wiring harness <sup>1)</sup>	15	Right headlight range control motor -V49-
3	 Connection 2 (CAN bus extended, low) in main wiring harness <sup>1)</sup>  Connection 1 (CAN bus extended, low) in main wiring harness <sup>1)</sup>	16	Left headlight range control motor -V48-



-T26d/e- (A)	Designation		-T26d/e- (A)	Designation
4	C67 Connection (CAN bus, high) in headlight wiring harness ♦ Front left headlight -MX1- ♦ Front right headlight -MX2-		17	Left headlight range control motor -V48-
5	C68 Connection (CAN bus, low) in headlight wiring harness ♦ Front left headlight -MX1- ♦ Front right headlight -MX2-		18	Left headlight range control motor -V48-
6			19	Left headlight range control motor -V48-
7	Rear left vehicle level sender -G76-		20	Right headlight range control motor -V49-
8			21	Right headlight range control motor -V49-
9			22	Right headlight range control motor -V49-
10	Rear left vehicle level sender -G76-		23	Terminal 15
11	Rear left vehicle level sender -G76-		24	Terminal 31
12			25	
13			26	

1) According to equipment

[Back to overview ⇒ page 1](#)

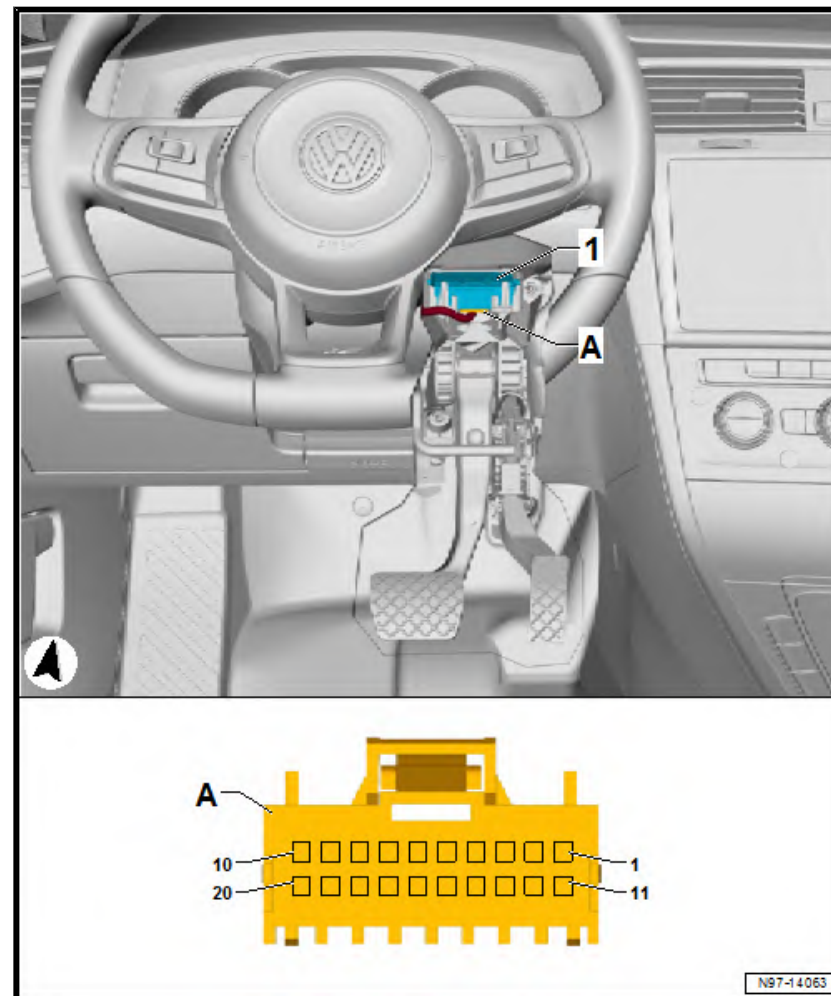
### 1.36.2 Control unit for cornering light and headlight range control -J745- with 20-pin connector -T20-

**Fitting location:**

Behind dash panel on driver side.

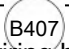

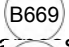

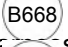

1 - Control unit for cornering light and headlight range control -J745-

A - 20-pin connector -T20m-



Connector assignment for control unit for cornering light and headlight range control -J745-

-T20m- (A)	Designation		-T20m- (A)	Designation
1	Terminal 30		11	Terminal 31
2			12	
3			13	
4			14	
5	(C68) Connection (CAN bus, low) in headlight wiring harness		15	(C67) Connection (CAN bus, high) in headlight wiring harness

-T20m- (A)	Designation		-T20m- (A)	Designation
6			16	
7			17	
8			18	
9	 B407 Connection 2 (convenience CAN bus, low) in main wiring harness		19	 B398 Connection 2 (convenience CAN bus, high) in main wiring harness
10	 B669 Connection 2 (CAN bus extended, low) in main wiring harness <sup>1)</sup>  B109 Connection 1 (CAN bus extended, low) in main wiring harness <sup>1)</sup>		20	 B668 Connection 2 (CAN bus extended, high) in main wiring harness <sup>1)</sup>  B108 Connection 1 (CAN bus extended, high) in main wiring harness <sup>1)</sup>

<sup>1)</sup> According to equipment

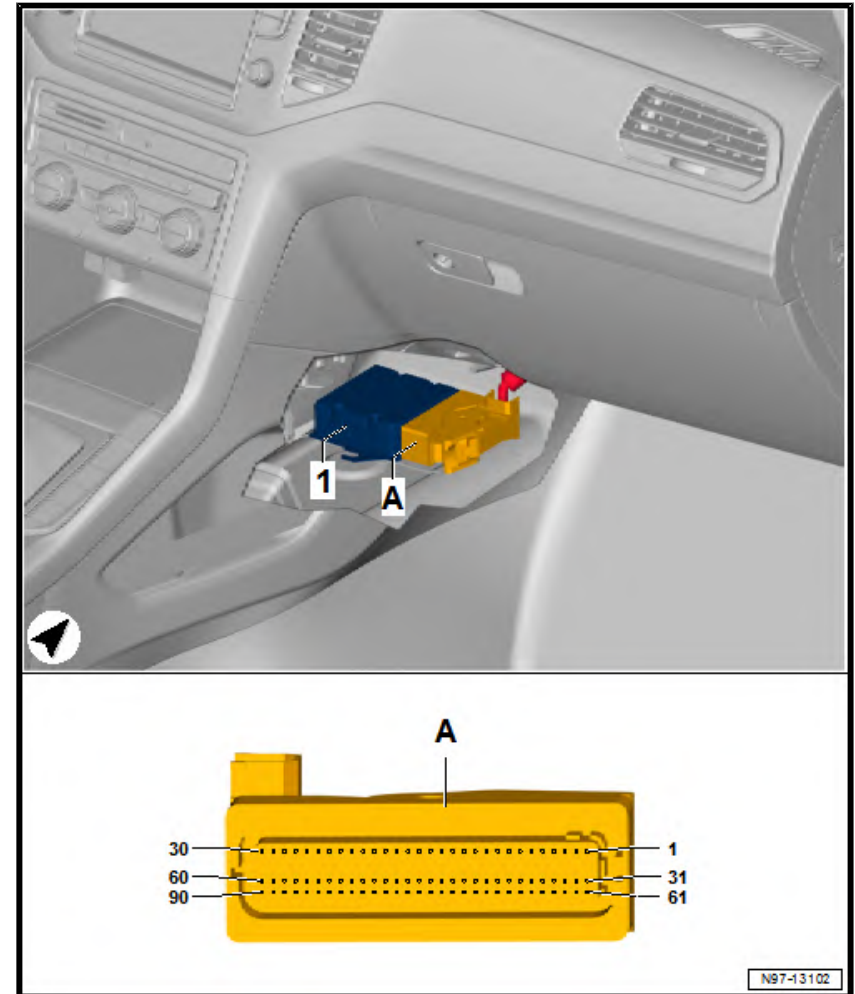
[Back to overview](#) ⇒ [page 1](#)

### 1.37 Airbag control unit -J234-

Fitting location:

Behind centre console.

- 1 - Airbag control unit -J234-
- A - 90-pin connector -T90b-



Back to overview ⇒ [page 1](#)

### 1.38 High-voltage battery 1 -AX2-

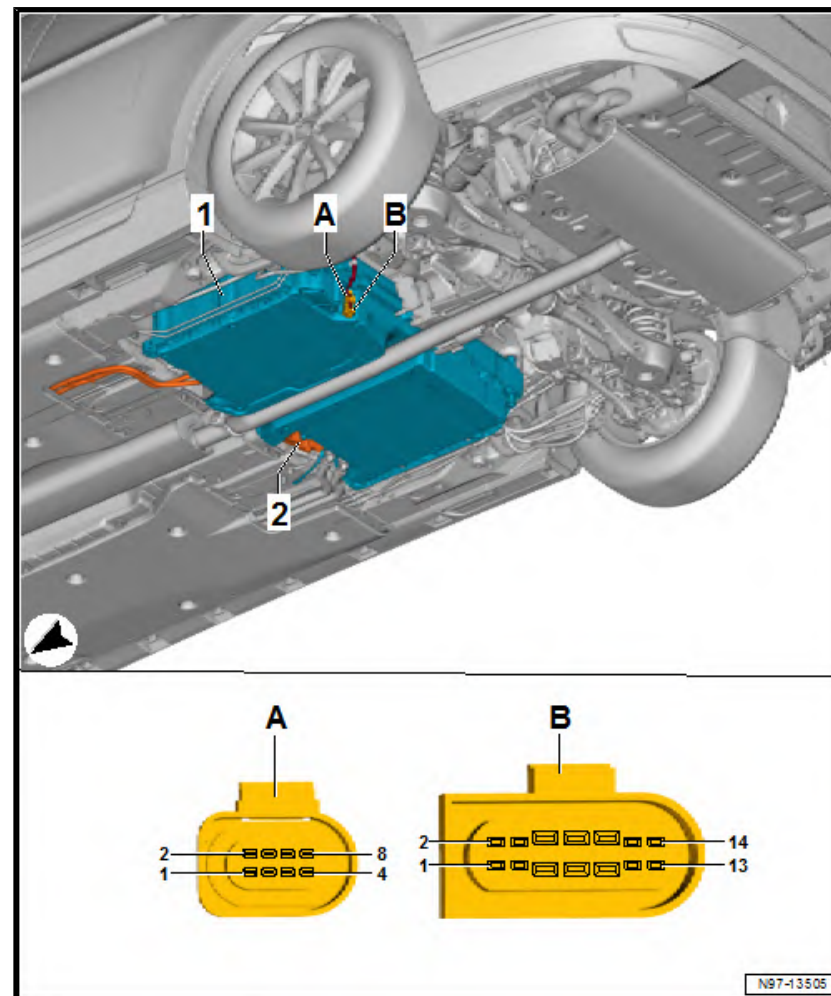
Fitting location:

1 - High-voltage battery 1 -AX2-

2 - High-voltage wire for hybrid battery, positive terminal -P1- , high-voltage wire for hybrid battery, negative terminal -P2-

A - not assigned

B - 14-pin connector -T14v-



Connector assignment for high-voltage battery 1 -AX2-

-T14v- (B)	Designation	-T14v- (B)	Designation
1	B383 Connection 1 (powertrain CAN bus, high) in main wiring harness	8	Terminal 15
2	B390 Connection 1 (powertrain CAN bus, low) in main wiring harness	9	Terminal 31
3	Airbag control unit -J234-	10	Terminal 30
4	Maintenance connector for high-voltage system -TW- ◆ Pilot line	11	High-voltage heater (PTC) control unit -J848- ◆ Pilot line
5	Coolant valve for high-voltage battery -N688-	12	Airbag control unit -J234-
6	Maintenance connector for high-voltage system -TW-	13	X4 Connection 1 (hybrid CAN bus, high) in engine compartment wiring harness
7	Coolant pump for high-voltage battery -V590-	14	X5 Connection 1 (hybrid CAN bus, low) in engine compartment wiring harness

Back to overview ⇒ [page 1](#)

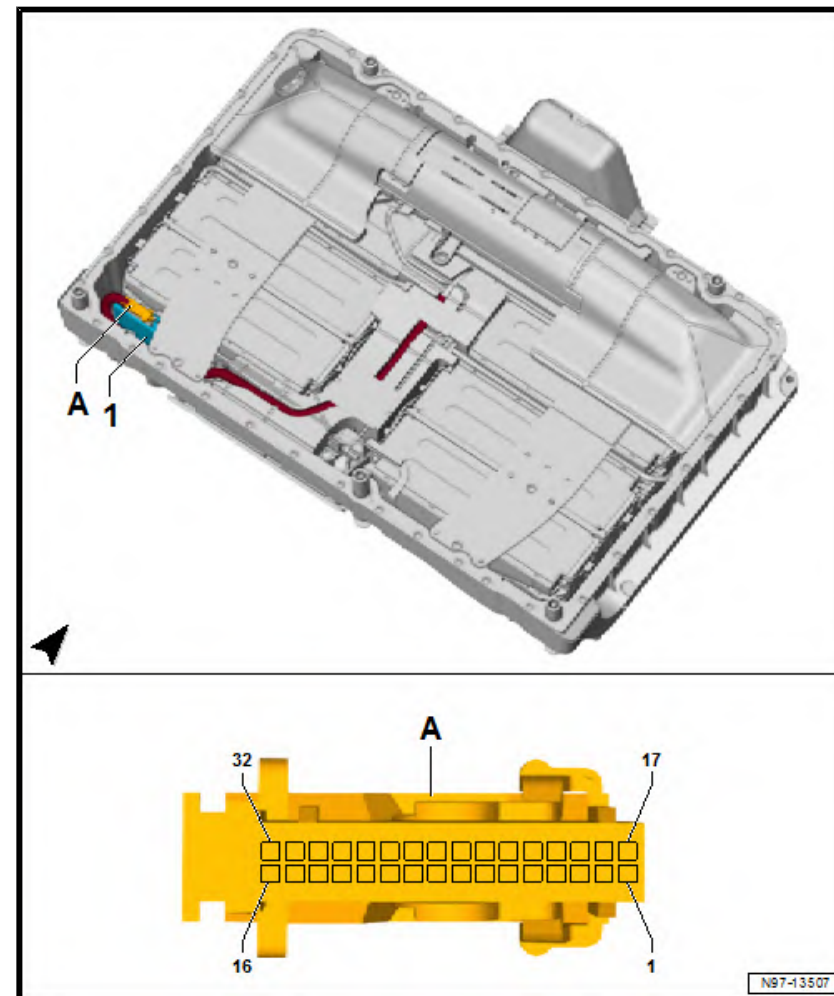
1.39 Battery regulation control unit -J840-

Fitting location:

in high-voltage battery 1 -AX2-

1 - Battery regulation control unit -J840-

A - 32-pin connector -T32j-



Connector assignment of battery regulation control unit -J840-

-T32j- (A)	Designation		-T32j- (A)	Designation
1	CAN bus, high		17	Module monitor control unit for batteries -J497- Terminal 30
2	CAN bus, low		18	CAN bus, high
3	CAN bus, high		19	CAN bus, low
4	CAN bus, low		20	Module monitor control unit for batteries -J497-

<b>-T32j- (A)</b>	<b>Designation</b>		<b>-T32j- (A)</b>	<b>Designation</b>
5	Maintenance connector for high-voltage system -TW-		21	Pilot line
6	Fuel tank shut-off valve -N288-		22	
7	Coolant pump for high-voltage battery -V590-		23	
8	Coolant temperature sender 1 for high-voltage battery -G898-		24	Coolant temperature sender 2 for high-voltage battery -G899-
9	Coolant temperature sender 1 for high-voltage battery -G898-		25	Coolant temperature sender 2 for high-voltage battery -G899-
10	Battery module 0 -J1068- Battery module 4 -J994-		26	
11			27	
12	Battery module 4 -J994-		28	Battery module 3 -J993-
13	Airbag control unit -J234-		29	Airbag control unit -J234-
14	Module monitor control unit for batteries -J497- Terminal 15		30	Terminal 31
15	Terminal 30		31	
16	Terminal 31		32	Module monitor control unit for batteries -J497- Maintenance connector for high-voltage system -TW-

#### **1.40 Module monitor control unit for batteries -J497-**

**Fitting location:**

in high-voltage battery 1 -AX2-



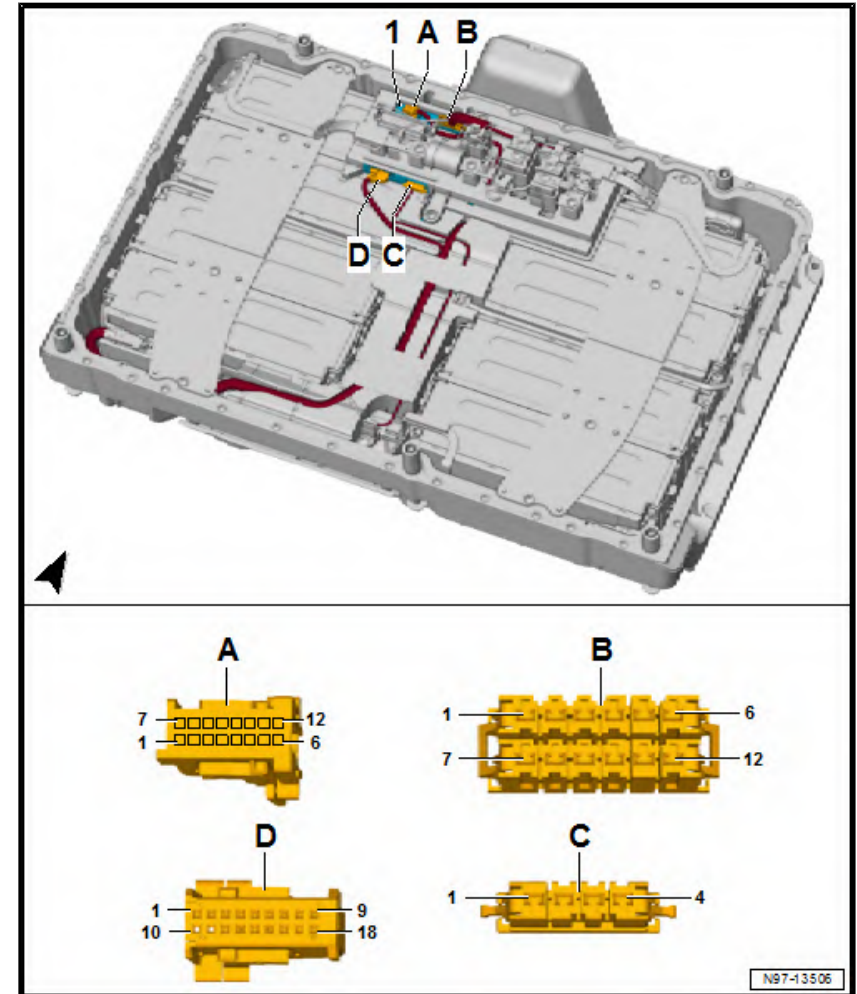
1 - Module monitor control unit for batteries -J497-

A - 12-pin connector -T12ac-

B - 12-pin connector -T12ad-

C - 4-pin connector -T4cr-

D - 18-pin connector -T18f-



Connector assignment for module monitor control unit for batteries -J497-

-T12ac- (A)	Designation	-T12ad- (B)	Designation	-T4cr- (C)	Designation
1	Precharge contactor for high-voltage battery -J1044- High-voltage battery power contactor 1 -J1057-	1	Precharge contactor for high-voltage battery -J1044-	1	Battery module 3 -J993-

-T12ac- (A)	Designation	-T12ad- (B)	Designation	-T4cr- (C)	Designation
2		2	High-voltage battery power contactor 1 -J1057-	2	
3	High-voltage system fuse 1 -S350-	3	High-voltage battery power contactor 2 -J1058-	3	
4		4		4	
5	Current sensor for high-voltage battery -G848-	5			
6	High-voltage battery power contactor 2 -J1058-	6			
7	High-voltage battery power contactor 2 -J1058-	7	Precharge contactor for high-voltage battery -J1044-		
8	High-voltage battery power contactor 2 -J1058-	8	High-voltage battery power contactor 1 -J1057-		
9	Precharge contactor for high-voltage battery -J1044- Protection resistor for high-voltage battery -N662-	9	High-voltage battery power contactor 2 -J1058-		
10	Protection resistor for high-voltage battery -N662- High-voltage battery power contactor 1 -J1057-	10			
11	Current sensor for high-voltage battery -G848-	11			
12	High-voltage system fuse 1 -S350-	12			

-T18f- (D)	Designation	-T18f- (D)	Designation
1	Battery regulation control unit -J840- Maintenance connector for high-voltage system -TW-	10	Battery regulation control unit -J840- Terminal 30
2	Battery regulation control unit -J840- Maintenance connector for high-voltage system -TW-	11	
3		12	
4	Battery regulation control unit -J840-	13	CAN bus, low
5		14	CAN bus, high
6	Terminal 31	15	
7		16	Battery regulation control unit -J840- Terminal 15

-T18f- (D)	Designation		-T18f- (D)	Designation
8	Terminal 31		17	
9	Terminal 31		18	Terminal 31

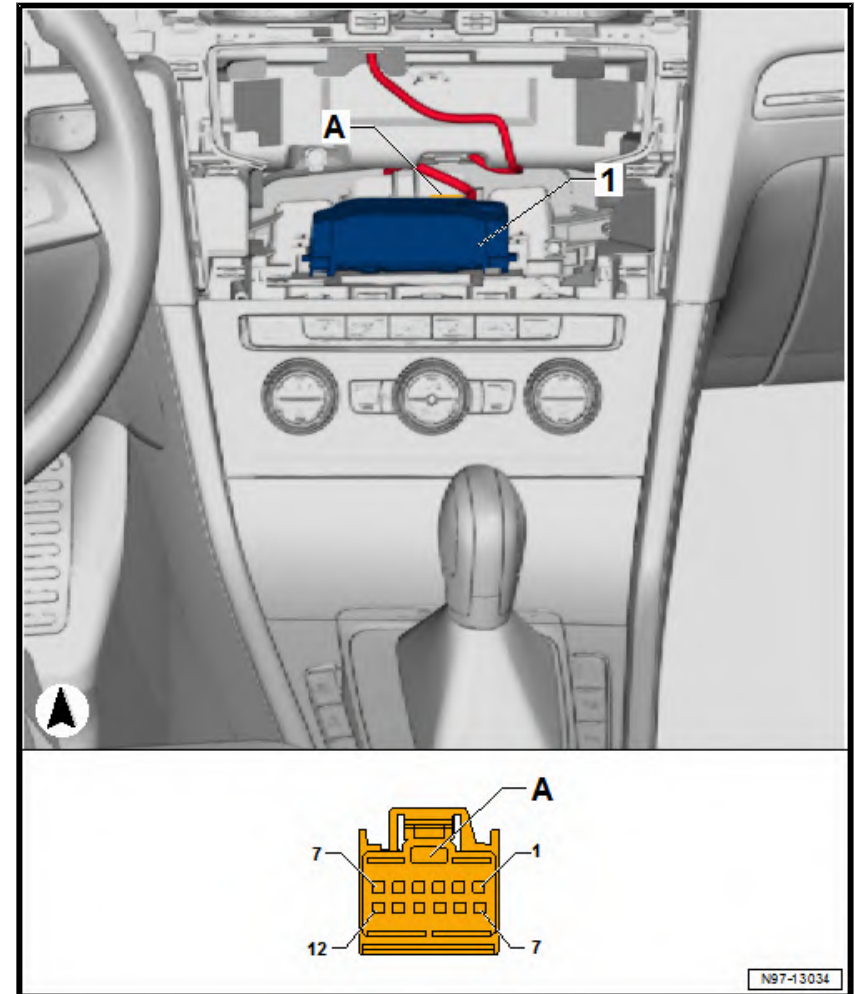
**1.41 Engine sound generator control unit -J943-**

Fitting location:

behind the heater and air conditioning controls -EX21-


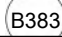
1 - Engine sound generator control unit -J943-

A - 12-pin connector -T12k-



**Connector assignment for engine sound generator control unit -J943-**

-T12k- (A)	Designation
1	Terminal 30
2	Terminal 31
3	Actuator 1 for engine sound generator -R257-
4	Actuator 1 for engine sound generator -R257-
5	

-T12k- (A)	Designation
6	
7	Terminal 30
8	Terminal 31
9	
10	
11	 Connection 1 (powertrain CAN bus, low) in main wiring harness
12	 Connection 1 (powertrain CAN bus, high) in main wiring harness

Back to overview ⇒ [page 1](#)

## 1.42 Emergency call module control unit and communication unit -J949-

Fitting location:

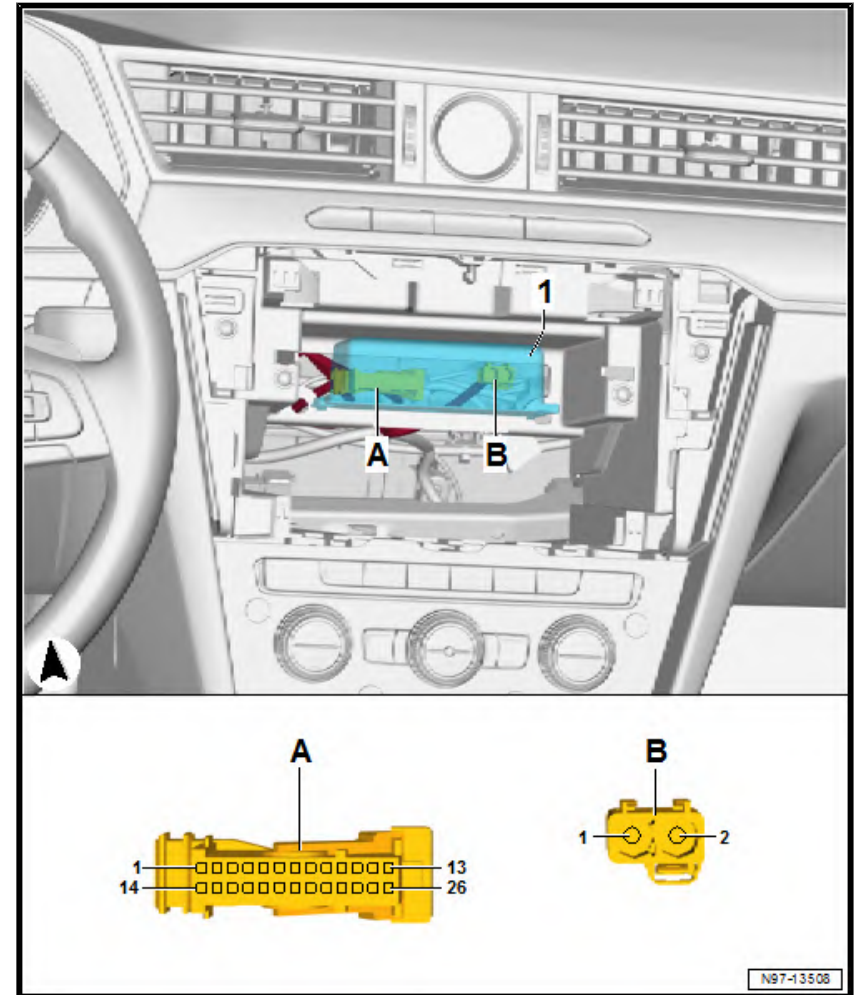
behind the heater and air conditioning controls -EX21-

1 - Emergency call module control unit and communication unit -J949-

A - 26-pin connector -T26a-

B - 1) GSM aerial 2 -R267-

B - 2) Roof aerial -RX5-



Connector assignment of emergency call module control unit and communication unit -J949-

-T26a- (A)	Designation	-T26a- (A)	Designation
1	Terminal 30	14	B398 Connection 2 (convenience CAN bus, high) in main wiring harness
2	B407 Connection 2 (convenience CAN bus, low) in main wiring harness	15	
3		16	

-T26a- (A)	Designation		-T26a- (A)	Designation
4	Telephone microphone -R38-		17	Telephone microphone -R38-
5	Control unit 1 for information electronics -J794-		18	Control unit 1 for information electronics -J794-
6	Telematics button module -E734-		19	Telematics button module -E734-
7	Telematics button module -E734-		20	Telematics button module -E734-
8			21	
9			22	
10	Control unit 1 for information electronics -J794-		23	
11	Control unit 1 for information electronics -J794-		24	
12			25	
13			26	Terminal 31

Back to overview ⇒ [page 1](#)

# 1 Overview of control units in rear part of vehicle

Overview of control units, saloon ⇒ [page 1](#)

Overview of control units, estate ⇒ [page 3](#)

## 1.1 Overview of control units, saloon

### 1 - Electronically controlled damping control unit -J250-

- Fitting location ⇒ [page 5](#)
- Connector assignment ⇒ [page 6](#)

### 2 - TV tuner -RX6-

- Fitting location ⇒ [page 8](#)
- Connector assignment ⇒ [page 9](#)

### Control unit for navigation system -J856-

- Fitting location ⇒ [page 12](#)
- Connector assignment ⇒ [page 13](#)

### 3 - Control unit for reducing agent heater -J891-

- Fitting location ⇒ [page 14](#)
- Connector assignment ⇒ [page 15](#)

### 4 - Remote control receiver for auxiliary heater -R64-

- Fitting location ⇒ [page 18](#)
- Connector assignment ⇒ [page 19](#)

### 5 - Special vehicle interface control unit -J1059-



Note

*Only for special vehicles*

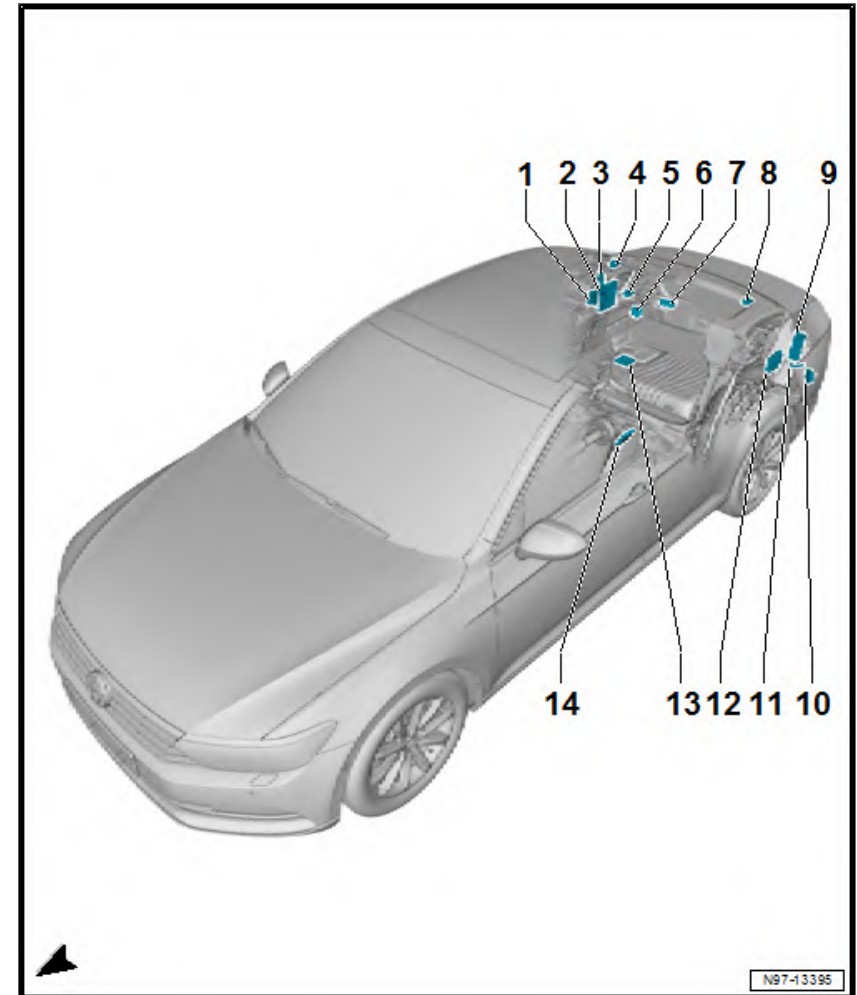
- Fitting location ⇒ [page 22](#)

### 6 - Lane change assist control unit -J769-

- Fitting location ⇒ [page 23](#)
- Connector assignment ⇒ [page 25](#)

### 7 - Rear lid power opening control unit -J938-

- Fitting location ⇒ [page 25](#)





**Tyre Pressure Monitoring System control unit -J502-**

- Fitting location ⇒ [page 26](#)
- Connector assignment ⇒ [page 28](#)

**8 - Rear roller blind control unit -J262-**

- Fitting location ⇒ [page 28](#)
- Connector assignment ⇒ [page 29](#)

**9 - Rear lid control unit -J605-**

- Fitting location ⇒ [page 30](#)
- Connector assignment ⇒ [page 31](#)

**10 - Lane change assist control unit 2 -J770-**

- Fitting location ⇒ [page 34](#)
- Connector assignment ⇒ [page 35](#)

**11 - Battery monitor control unit -J367-**

- Fitting location only in vehicles with battery at rear ⇒ [page 36](#)
- Connector assignment ⇒ [page 37](#)

**12 - Trailer detector control unit -J345-**

- Fitting location ⇒ [page 38](#)
- Connector assignment ⇒ [page 39](#)

**13 - Delivery unit for reducing agent metering system -GX19-**

- Fitting location ⇒ [page 42](#)
- Connector assignment ⇒ [page 43](#)

**14 - All-wheel drive control unit -J492-**

- Fitting location ⇒ [page 44](#)
- Connector assignment ⇒ [page 45](#)

## 1.2 Overview of control units, estate

### 1 - Electronically controlled damping control unit -J250-

- Fitting location ⇒ [page 6](#)
- Connector assignment ⇒ [page 7](#)

### 2 - TV tuner -RX6-

- Fitting location ⇒ [page 10](#)
- Connector assignment ⇒ [page 11](#)

### 3 - Control unit for reducing agent heater -J891-

- Fitting location ⇒ [page 16](#)
- Connector assignment ⇒ [page 17](#)

### 4 - Remote control receiver for auxiliary heater -R64-

- Fitting location ⇒ [page 20](#)
- Connector assignment ⇒ [page 21](#)

### 5 - Special vehicle interface control unit -J1059-



Note

*Only for special vehicles*

- Fitting location ⇒ [page 22](#)

### 6 - Lane change assist control unit -J769-

- Fitting location ⇒ [page 23](#)
- Connector assignment ⇒ [page 25](#)

### 7 - Rear lid power opening control unit -J938-

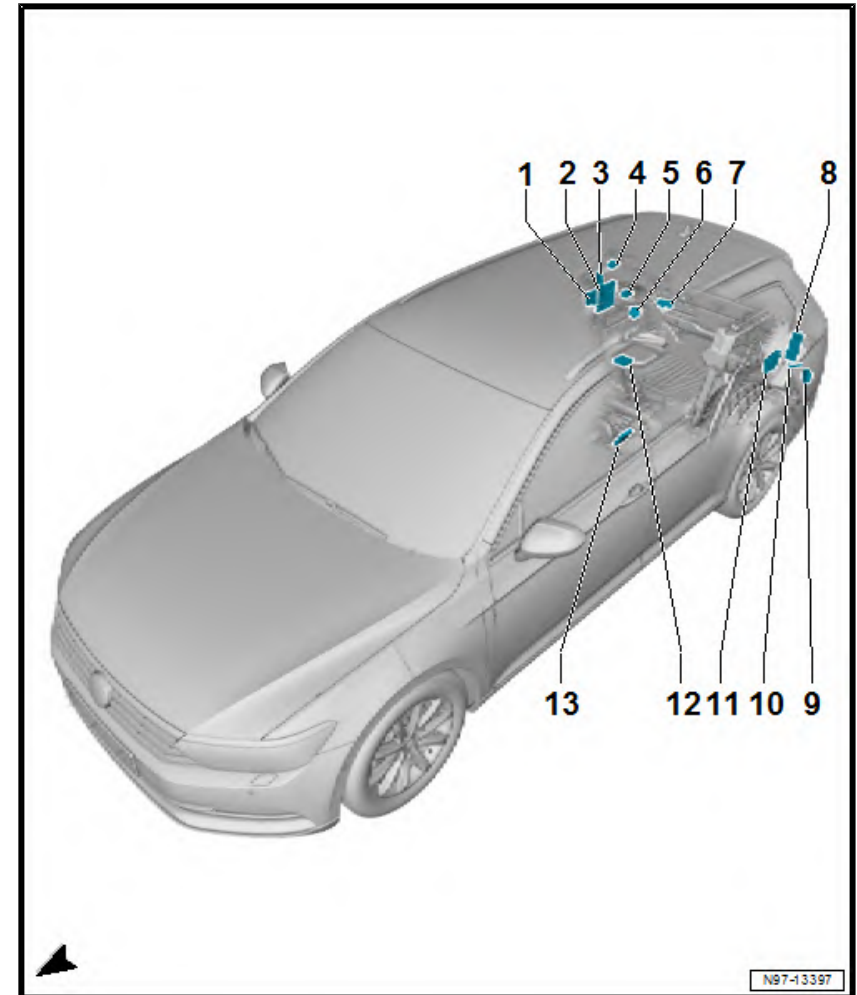
- Fitting location ⇒ [page 25](#)

### Tyre Pressure Monitoring System control unit -J502-

- Fitting location ⇒ [page 26](#)
- Connector assignment ⇒ [page 28](#)

### 8 - Rear lid control unit -J605-

- Fitting location ⇒ [page 32](#)
- Connector assignment ⇒ [page 33](#)



**9 - Lane change assist control unit 2 -J770-**

- Fitting location ⇒ [page 34](#)
- Connector assignment ⇒ [page 35](#)

**10 - Battery monitor control unit -J367-**

- Fitting location only in vehicles with battery at rear ⇒ [page 36](#)
- Connector assignment ⇒ [page 37](#)

**11 - Trailer detector control unit -J345-**

- Fitting location ⇒ [page 40](#)
- Connector assignment ⇒ [page 41](#)

**12 - Delivery unit for reducing agent metering system -GX19-**

- Fitting location ⇒ [page 42](#)
- Connector assignment ⇒ [page 43](#)

**13 - All-wheel drive control unit -J492-**

- Fitting location ⇒ [page 44](#)
- Connector assignment ⇒ [page 45](#)

1.3 Electronically controlled damping control unit -J250-

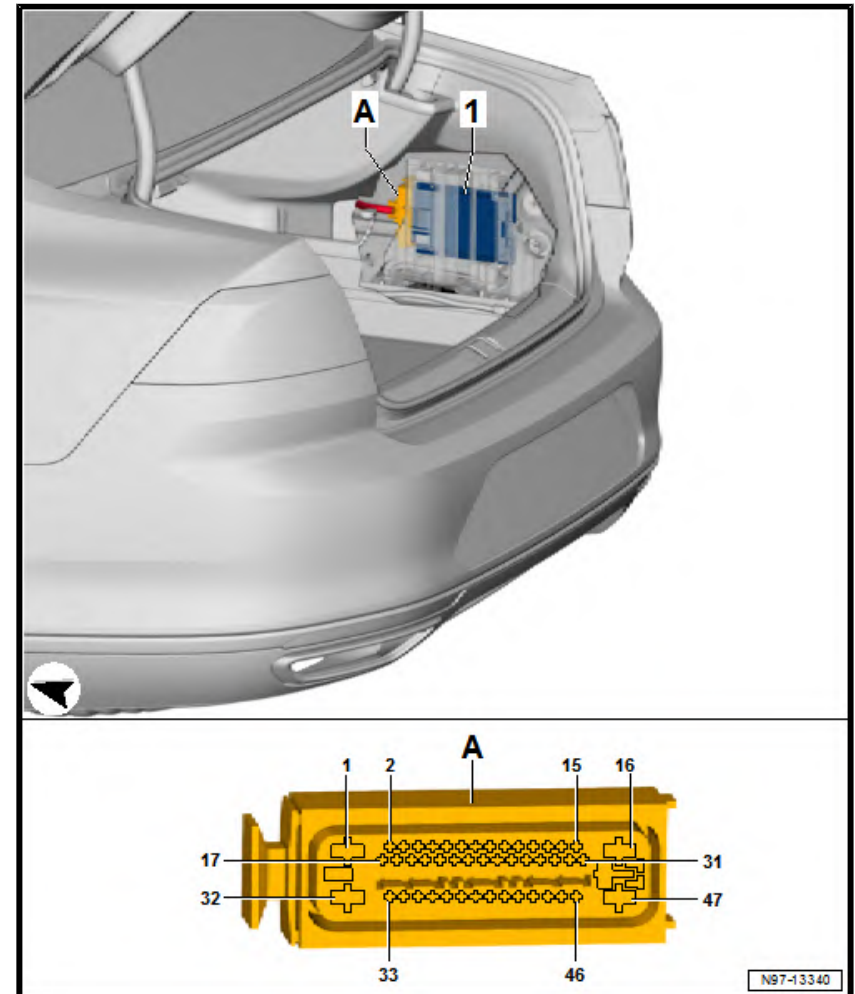
1.3.1 Electronically controlled damping control unit -J250- , saloon

Fitting location:


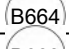

on right in luggage compartment.

1 - Electronically controlled damping control unit -J250-

A - 47-pin connector -T47-



Connector assignment for electronically controlled damping control unit -J250-

-T47-(A)	Designation		-T47-(A)	Designation
1			25	
2			26	Front left vehicle level sender -G78-
3			27	Front left vehicle level sender -G78-
4			28	
5	Rear body acceleration sender -G343-		29	Front right vehicle level sender -G289-
6			30	Front right vehicle level sender -G289-
7			31	
8	Rear left vehicle level sender -G76-		32	 Positive connection 3 (15a) in dash panel wiring harness
9			33	 Connection (running gear sensors CAN bus, low) in main wiring harness
10			34	 Connection (running gear sensors CAN bus, high) in main wiring harness
11	Front left vehicle level sender -G78-		35	Front right body acceleration sender -G342-
12			36	Front right body acceleration sender -G342-
13			37	Front left body acceleration sender -G341-
14	Front right vehicle level sender -G289-		38	Front left body acceleration sender -G341-
15			39	Front left shock absorber damping adjustment valve -N336-
16	Terminal 31		40	Front left shock absorber damping adjustment valve -N336-
17			41	Front right shock absorber damping adjustment valve -N337-
18			42	Front right shock absorber damping adjustment valve -N337-
19			43	Rear left shock absorber damping adjustment valve -N338-
20			44	Rear left shock absorber damping adjustment valve -N338-
21	Rear body acceleration sender -G343-		45	Rear right shock absorber damping adjustment valve -N339-
22			46	Rear right shock absorber damping adjustment valve -N339-
23	Rear left vehicle level sender -G76-		47	Terminal 30
24	Rear left vehicle level sender -G76-			

Back to overview ⇒ [page 1](#)

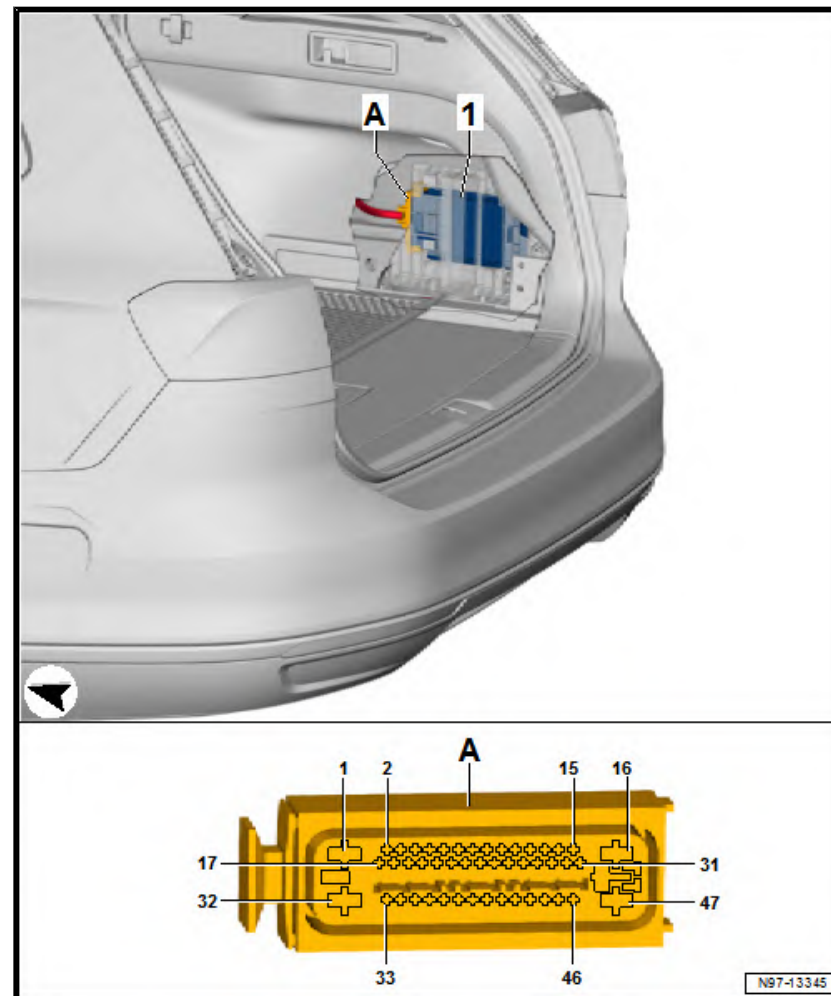
### 1.3.2 Electronically controlled damping control unit -J250- , estate

Fitting location:

on right in luggage compartment.

1 - Electronically controlled damping control unit -J250-

A - 47-pin connector -T47-



Connector assignment for electronically controlled damping control unit -J250-

-T47-(A)	Designation	-T47-(A)	Designation
1		25	
2		26	Front left vehicle level sender -G78-
3		27	Front left vehicle level sender -G78-
4		28	

-T47-(A)	Designation		-T47-(A)	Designation
5	Rear body acceleration sender -G343-		29	Front right vehicle level sender -G289-
6			30	Front right vehicle level sender -G289-
7			31	
8	Rear left vehicle level sender -G76-		32	A192 Positive connection 3 (15a) in dash panel wiring harness
9			33	B664 Connection (running gear sensors CAN bus, low) in main wiring harness
10			34	B663 Connection (running gear sensors CAN bus, high) in main wiring harness
11	Front left vehicle level sender -G78-		35	Front right body acceleration sender -G342-
12			36	Front right body acceleration sender -G342-
13			37	Front left body acceleration sender -G341-
14	Front right vehicle level sender -G289-		38	Front left body acceleration sender -G341-
15			39	Front left shock absorber damping adjustment valve -N336-
16	Terminal 31		40	Front left shock absorber damping adjustment valve -N336-
17			41	Front right shock absorber damping adjustment valve -N337-
18			42	Front right shock absorber damping adjustment valve -N337-
19			43	Rear left shock absorber damping adjustment valve -N338-
20			44	Rear left shock absorber damping adjustment valve -N338-
21	Rear body acceleration sender -G343-		45	Rear right shock absorber damping adjustment valve -N339-
22			46	Rear right shock absorber damping adjustment valve -N339-
23	Rear left vehicle level sender -G76-		47	Terminal 30
24	Rear left vehicle level sender -G76-			

Back to overview ⇒ [page 3](#)

## 1.4 TV tuner -RX6-

### 1.4.1 TV tuner -RX6- , saloon

Fitting location:

on right in luggage compartment.

1 - TV tuner -RX6-

A - 12-pin connector -T12q-

B - 2-pin connector -T2ja-

- Fibre optic cable (FOC)

C - 2-pin connector -T2ll-

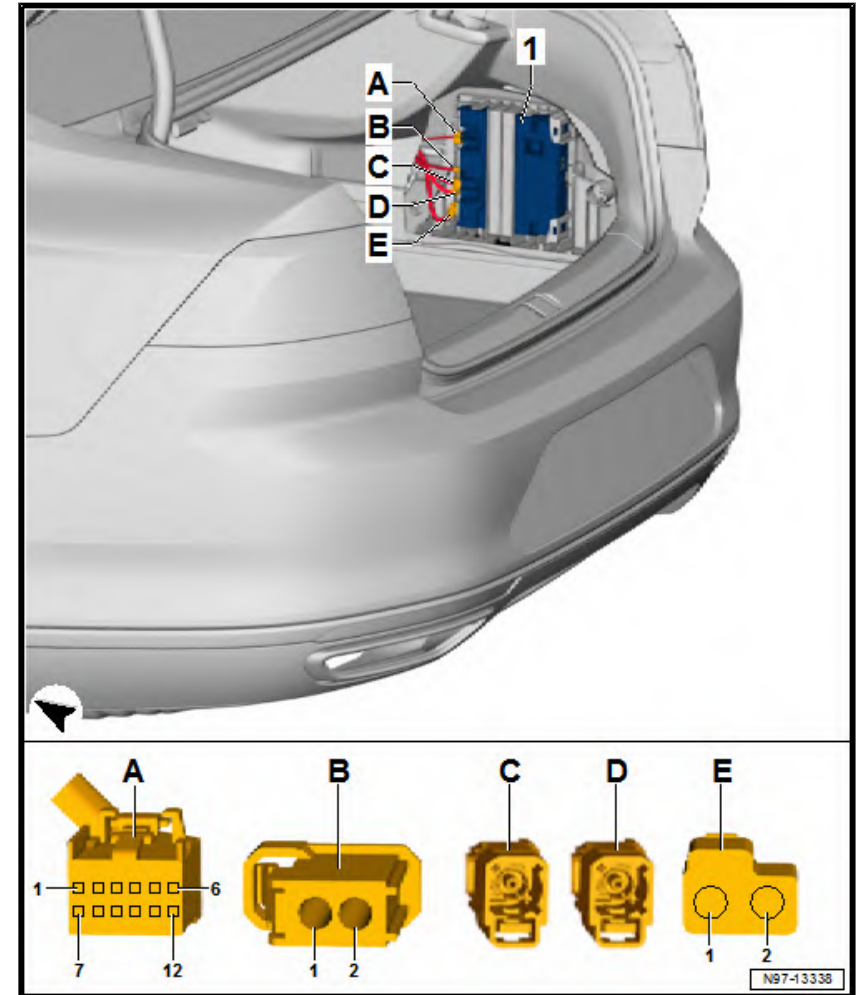
D - 2-pin connector -T2lj-

- Aerial amplifier 1 for TV -R82-

E - 4-pin connector -T4fw-

- Aerial amplifier 2 for TV -R83-

- Aerial amplifier 3 for TV -R84-



**Connector assignment, TV tuner -RX6-**

-T12q- (A)	Designation	-T12q- (A)	Designation
1	Terminal 30	7	
2	Terminal 31	8	
3	Control unit 1 for information electronics -J794- Dash panel insert -KX2- <sup>1)</sup>	9	



-T12q- (A)	Designation		-T12q- (A)	Designation
4			10	
5			11	
6			12	

1) According to equipment

Back to overview ⇒ [page 1](#)

### 1.4.2 TV tuner -RX6- , estate

Fitting location:

on right in luggage compartment.

**1 - TV tuner -RX6-**

**A - 12-pin connector -T12q-**

**B - 2-pin connector -T2ja-**

- Fibre optic cable (FOC)

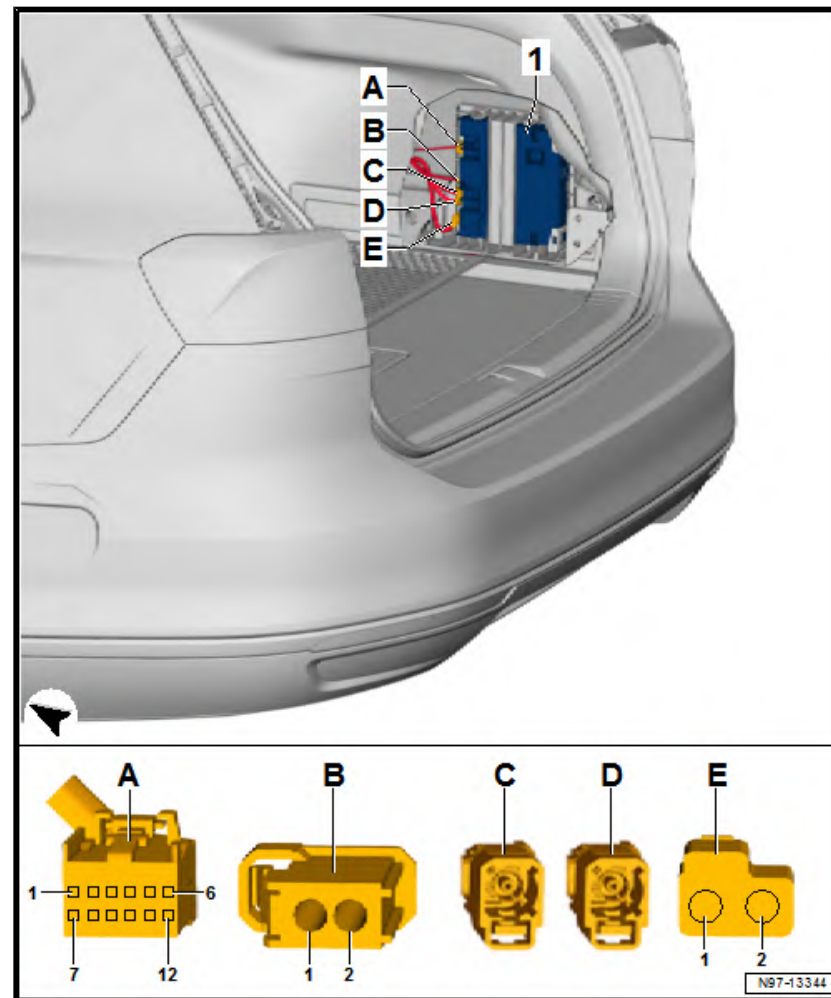
**C - 2-pin connector -T2ll-**

**D - 2-pin connector -T2lj-**

- Aerial amplifier 1 for TV -R82-

**E - 4-pin connector -T4fw-**

- Aerial amplifier 2 for TV -R83-
- Aerial amplifier 3 for TV -R84-



**Connector assignment, TV tuner -RX6-**

-T12q- (A)	Designation		-T12q- (A)	Designation
1	Terminal 30		7	
2	Terminal 31		8	
3	Control unit 1 for information electronics -J794- Dash panel insert -KX2- <sup>1)</sup>		9	

-T12q-(A)	Designation		-T12q-(A)	Designation
4			10	
5			11	
6			12	

1) According to equipment

Back to overview ⇒ [page 3](#)

### 1.5 Control unit for navigation system -J856- , saloon

Fitting location:

on right in luggage compartment.

1 - Control unit for navigation system -J856-

A - 10-pin connector -T10ca-

B - 20-pin connector -T20I-

C - 4-pin connector -T4-

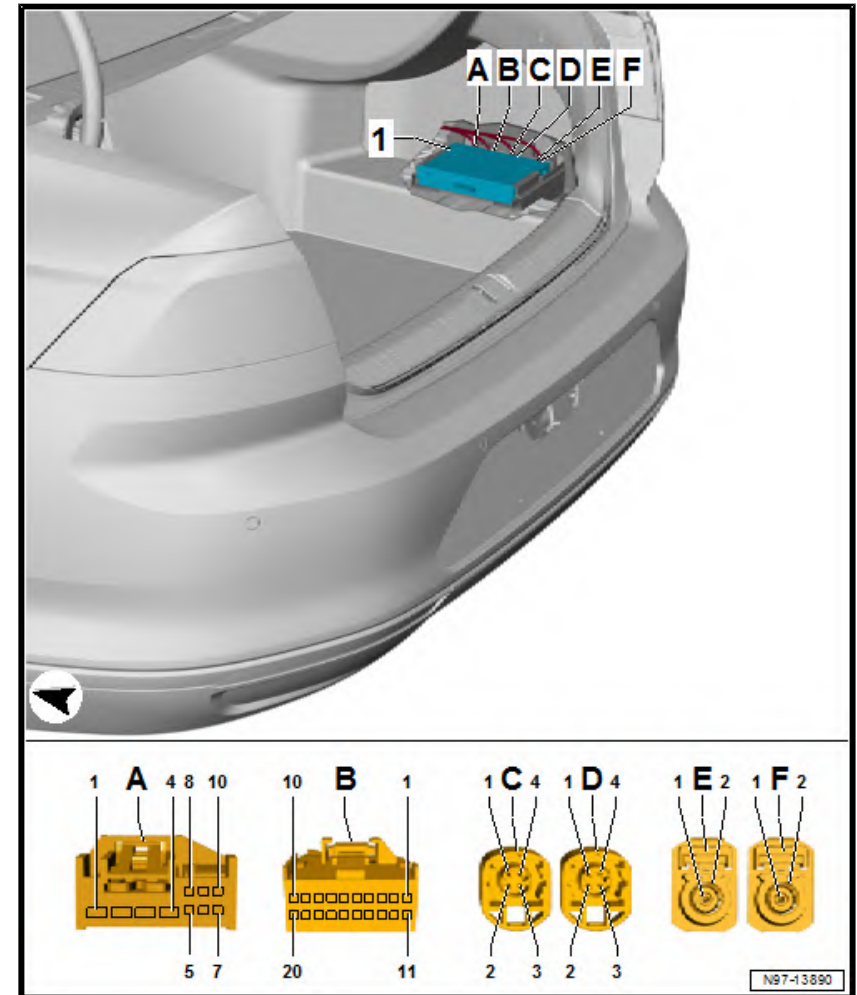
D - 4-pin connector -T4-

E - 2-pin connector -T2su-

□ GPS aerial -R50-


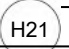
F - 2-pin connector -T2sv-

□ Digital radio aerial -R183-



Connector assignment of control unit for navigation system -J856-

-T10ca- (A)	Designation		-T20I- (B)	Designation
1	Terminal 31	1		
2	Terminal 30	2		
3		3		Control unit 1 for information electronics -J794-
4		4		Telephone microphone -R38-

-T10ca-(A)	Designation		-T20I-(B)	Designation
5	 Connection 1 (diagnosis), in main wiring harness	5		
6		6		Control unit 1 for information electronics -J794-
7		7		Control unit 1 for information electronics -J794-
8	 Connection 2, in diagnosis wiring harness	8		Control unit 1 for information electronics -J794-
9		9		Connection for external audio sources -R199-
10		10		Connection for external audio sources -R199-
		11		
		12		
		13		Control unit 1 for information electronics -J794-
		14		Telephone microphone -R38-
		15		
		16		Control unit 1 for information electronics -J794-
		17		Control unit 1 for information electronics -J794-
		18		
		19		Connection for external audio sources -R199-
		20		Connection for external audio sources -R199-

Back to overview ⇒ [page 1](#)

## 1.6 Control unit for reducing agent heater -J891-

### 1.6.1 Control unit for reducing agent heater -J891- , saloon

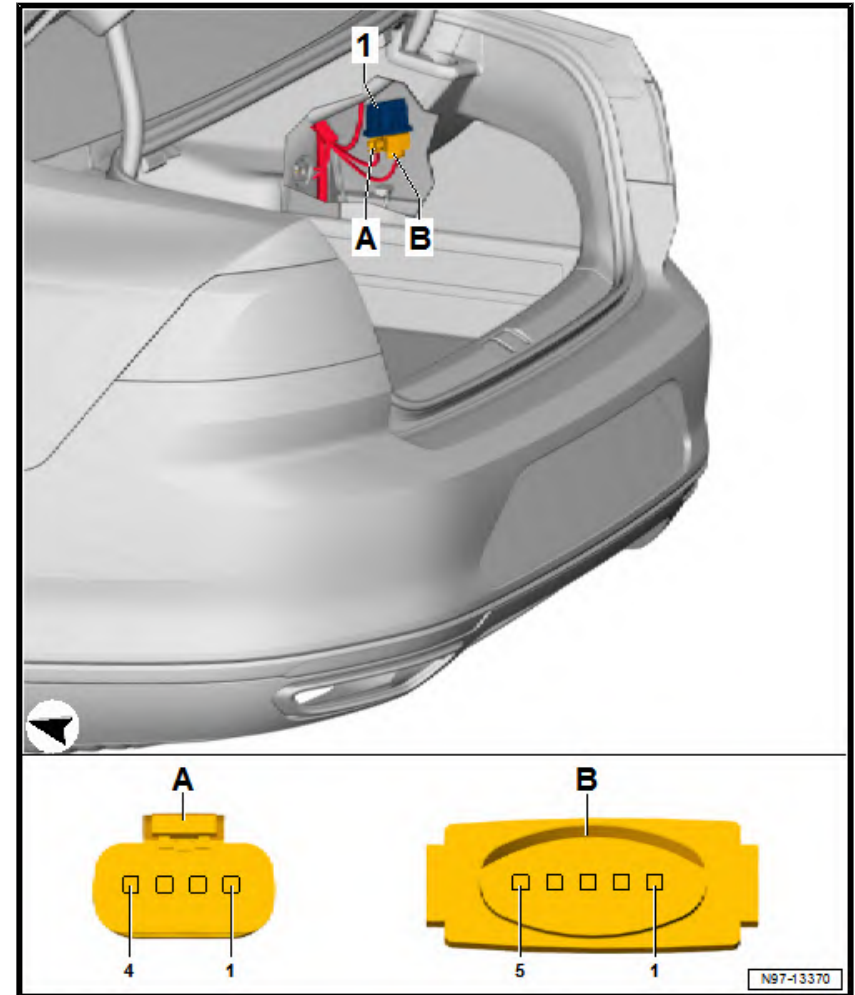
Fitting location:

on right in luggage compartment.

1 - Control unit for reducing agent heater -J891-

A - 4-pin connector -T4fi-

B - 5-pin connector -T5ay-



**Connector assignment for control unit for reducing-agent heater -J891-**

-T4fi- (A)	Designation	-T5ay- (B)	Designation
1	Engine/motor control unit -J623-	1	Heater for reducing agent line (heater circuit 2) -Z104-
2	Engine/motor control unit -J623-	2	
3	Engine/motor control unit -J623-	3	Terminal 30
4	Engine/motor control unit -J623-	4	Terminal 31

-T4fi- (A)	Designation	-T5ay- (B)	Designation
		5	Terminal 30

Back to overview ⇒ [page 1](#)

## 1.6.2 Control unit for reducing agent heater -J891- , estate

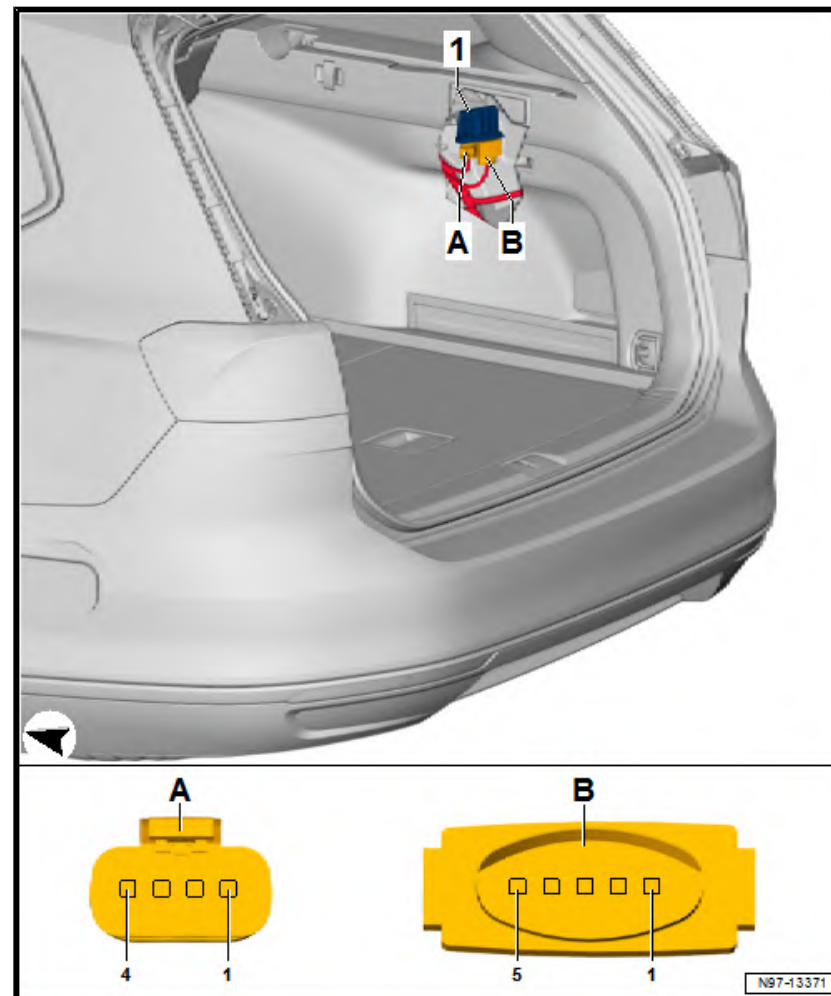
Fitting location:

on right in luggage compartment.

1 - Control unit for reducing agent heater -J891-

A - 4-pin connector -T4fi-

B - 5-pin connector -T5ay-



**Connector assignment for control unit for reducing-agent heater -J891-**

-T4fi- (A)	Designation	-T5ay- (B)	Designation
1	Engine/motor control unit -J623-	1	Heater for reducing agent line (heater circuit 2) -Z104-
2	Engine/motor control unit -J623-	2	
3	Engine/motor control unit -J623-	3	Terminal 30
4	Engine/motor control unit -J623-	4	Terminal 31



-T4fi- (A)	Designation	-T5ay- (B)	Designation
		5	Terminal 30

Back to overview ⇒ [page 3](#)

## 1.7 Remote control receiver for auxiliary heater -R64-

### 1.7.1 Remote control receiver for auxiliary heater -R64- , saloon

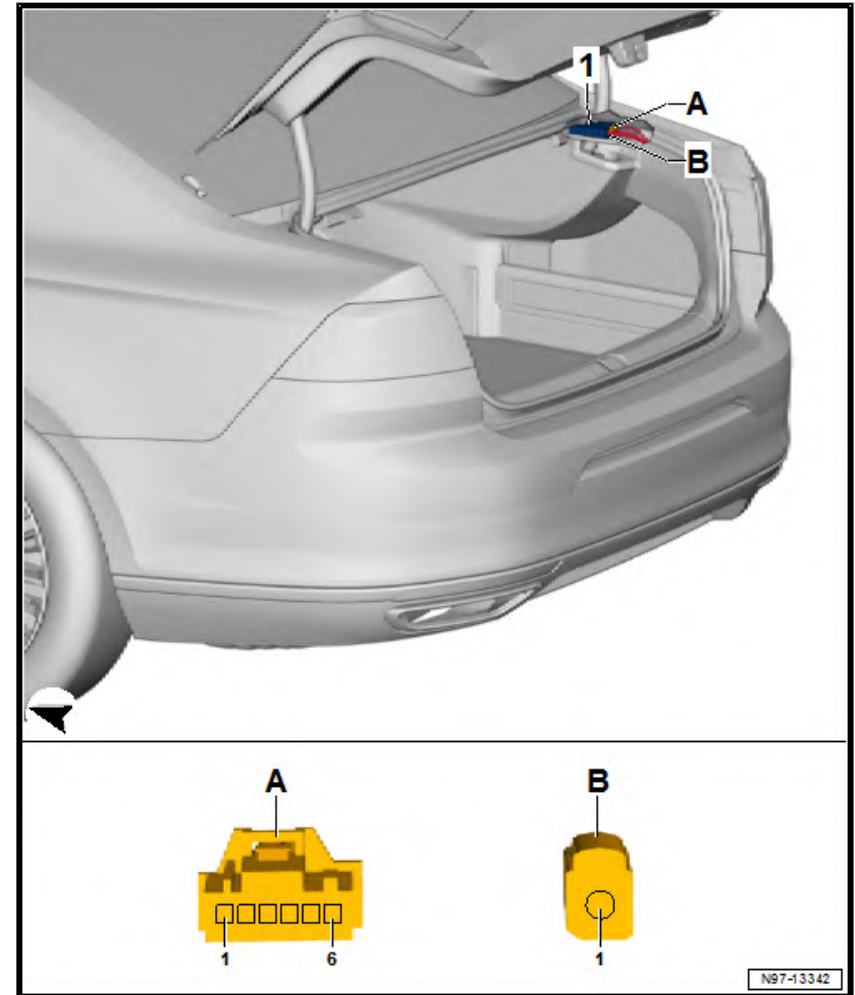
Fitting location:

on right in luggage compartment.

1 - Remote control receiver for auxiliary heater -R64-

A - 6-pin connector -T6av-

B - 2-pin connector -T2li-



**Connector assignment for remote control receiver for auxiliary heater -R64-**

-T6av- (A)	Designation
1	Terminal 30
2	Auxiliary heater control unit -J364-
3	
4	
5	

-T6av- (A)	Designation
6	Terminal 31

Back to overview ⇒ [page 1](#)

### 1.7.2 Remote control receiver for auxiliary heater -R64- , estate

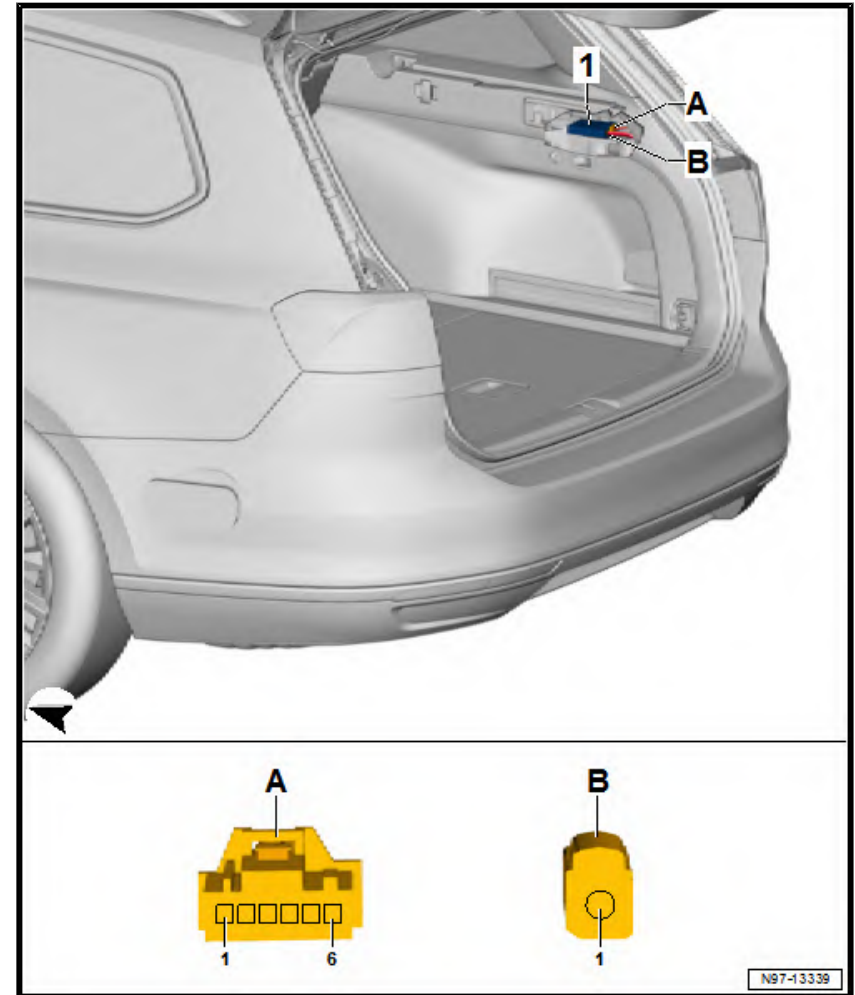
Fitting location:

on right in luggage compartment.

1 - Remote control receiver for auxiliary heater -R64-

A - 6-pin connector -T6ay-

B - 2-pin connector -T2li-



**Connector assignment for remote control receiver for auxiliary heater -R64-**

-T6ay- (A)	Designation
1	Terminal 30
2	Auxiliary heater control unit -J364-
3	
4	
5	

-T6ay- (A)	Designation
6	Terminal 31

Back to overview ⇒ [page 3](#)

## 1.8 Special vehicle interface control unit -J1059- , only for special vehicles

Fitting location:

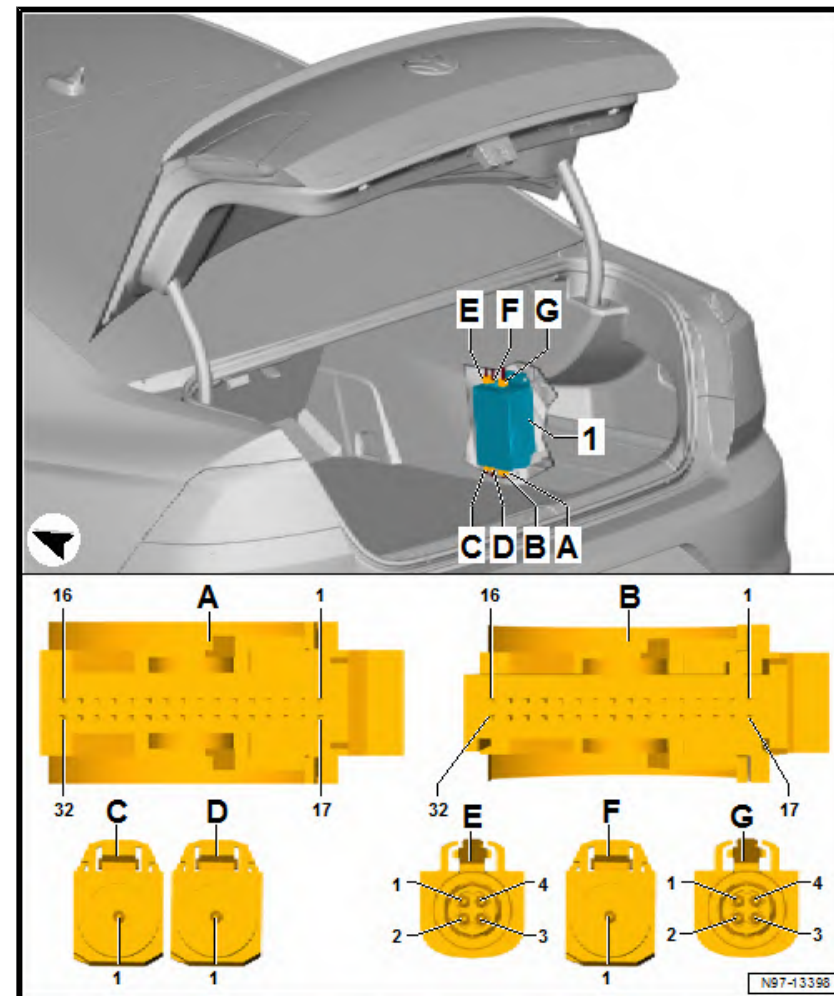
on right in luggage compartment.



Note

*The fitting locations are identical on saloon and estate models.*

- 1 - Special vehicle interface control unit -J1059-
- A - 32-pin connector -T32h-
- B - 32-pin connector -T32i-
- C - 2-pin connector -T2qi-
- D - 2-pin connector -T2qj-
- E - 5-pin connector -T5cc-
- F - 2-pin connector -T2qk-
- G - 5-pin connector -T5cd-



Back to overview ⇒ [page 1](#)

### 1.9 Lane change assist control unit -J769-

Fitting location:

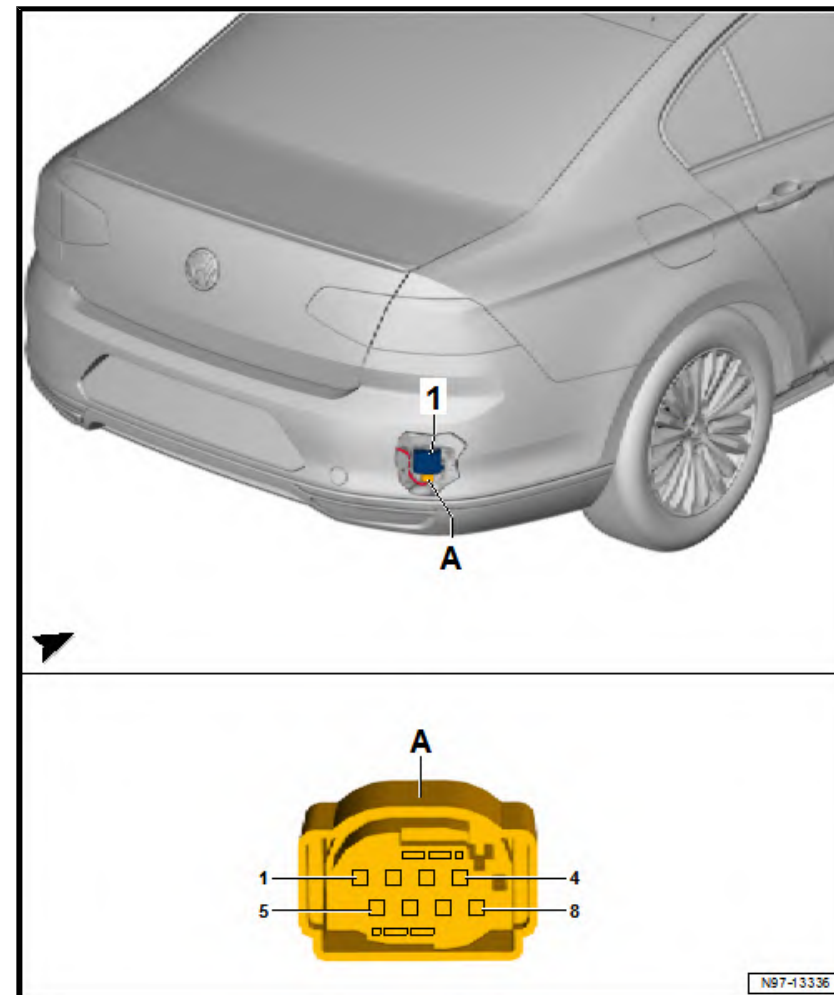
under bumper on right

**i** Note



*The fitting locations are identical on saloon and estate models.*

1 - Lane change assist control unit -J769-

A - 8-pin connector -T8bb-



Connector assignment for lane change assist control unit -J769-

-T8bb- (A)	Designation
1	Terminal 31
2	 Connection 1 (CAN bus extended, high), in main wiring harness
3	 Connection 1 (CAN bus extended, low) in main wiring harness
4	Lane change assist warning lamp in right exterior mirror -K311-
5	Lane change assist control unit 2 -J770-
6	Lane change assist control unit 2 -J770-
7	Lane change assist warning lamp in right exterior mirror -K311-
8	Terminal 15

Back to overview ⇒ [page 1](#)

**1.10 Rear lid power opening control unit -J938-**

Fitting location:

under bumper on right



Note

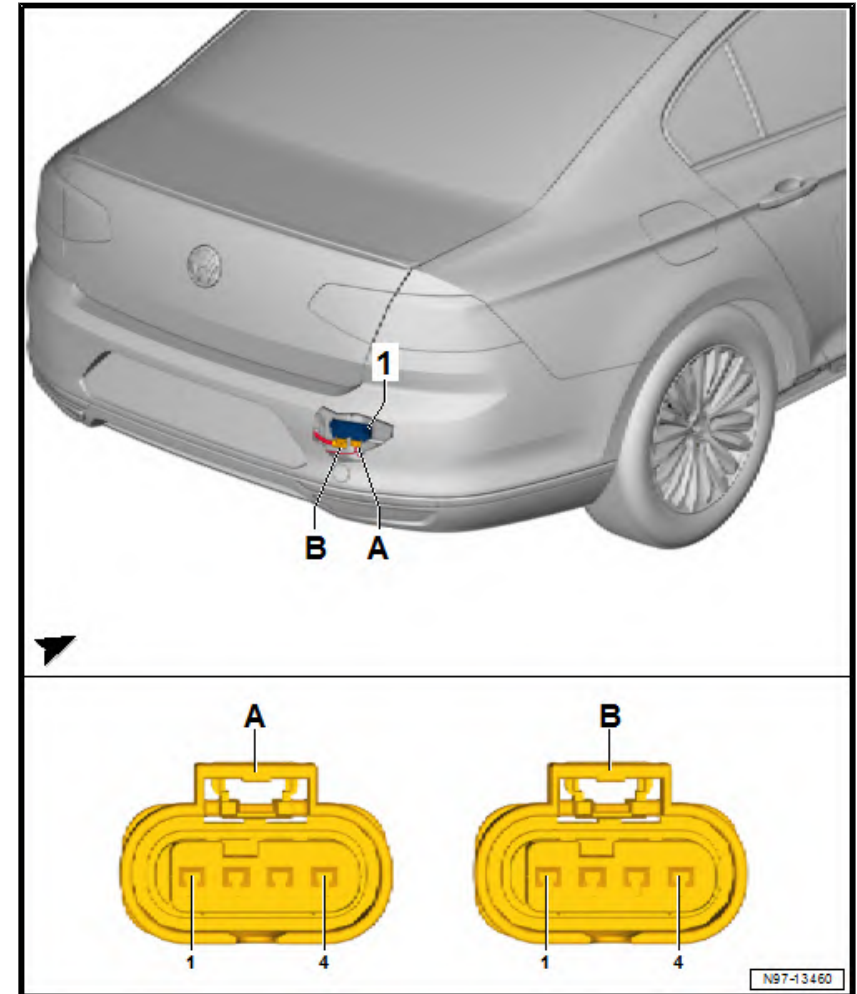
*The fitting locations are identical on saloon and estate models.*



1 - Rear lid power opening control unit -J938-

A - 4-pin connector -T4bq-

B - 4-pin connector -T4bs-



[Back to overview](#) ⇒ [page 1](#)

### 1.11 Tyre Pressure Monitoring System control unit -J502-

Fitting location:

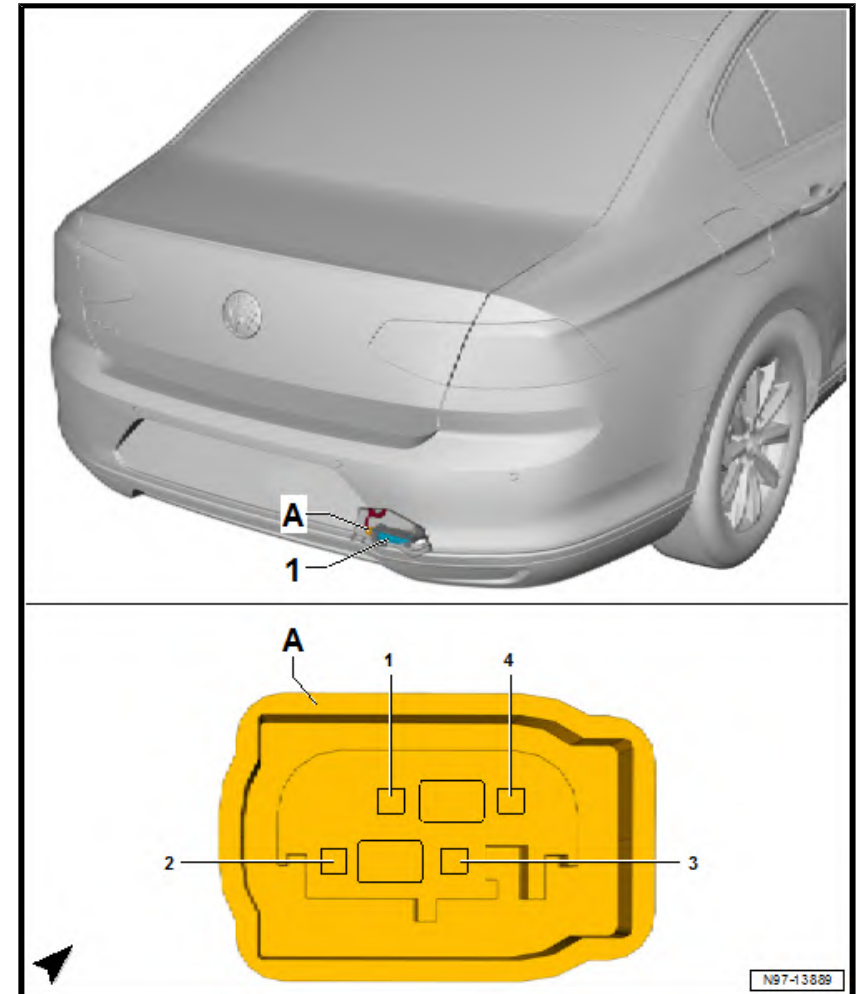
under bumper on right

 **Note**

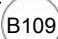
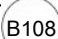
*The fitting locations are identical on saloon and estate models.*

1 - Tyre Pressure Monitoring System control unit -J502-

A - 4-pin connector -T4fh-



Connector assignment for Tyre Pressure Monitoring System control unit -J502-

-T4fh- (A)	Designation
1	 Connection 1 (CAN bus extended, low) in main wiring harness
2	Terminal 30
3	 Connection 1 (CAN bus extended, high), in main wiring harness
4	Terminal 31

Back to overview ⇒ [page 1](#)

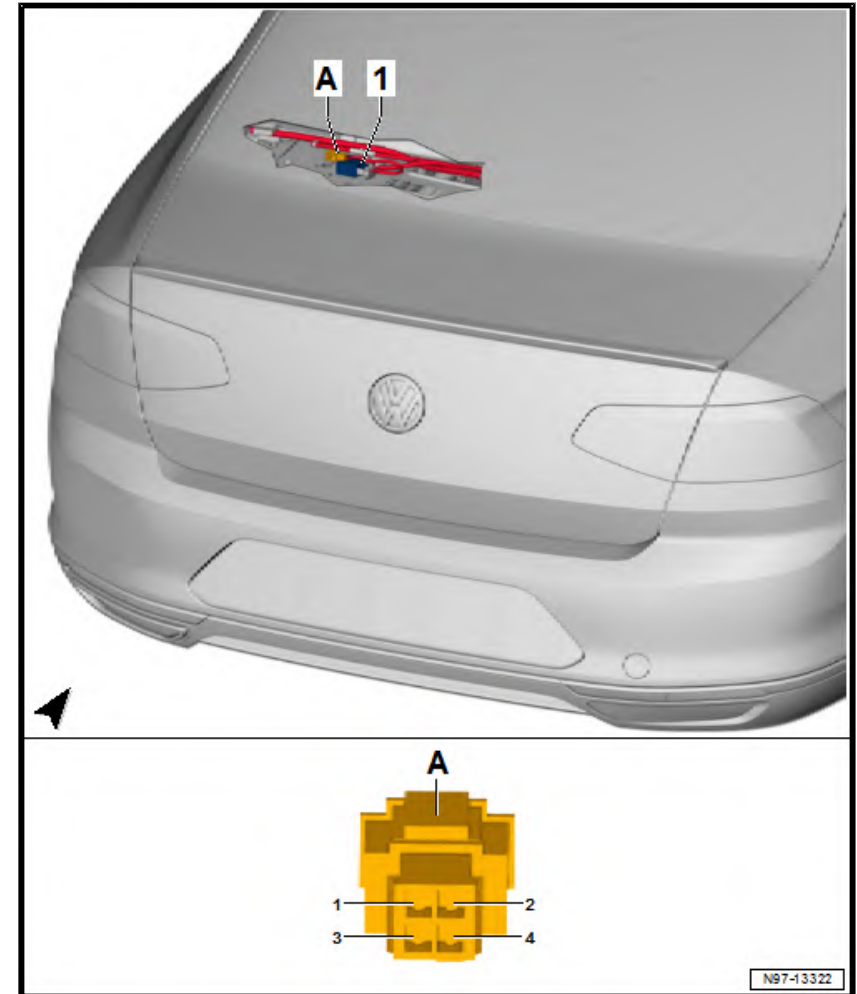
**1.12 Rear roller blind control unit -J262-**

Fitting location:

under rear shelf

1 - Rear roller blind control unit -J262-

A - 4-pin connector -T4eh-



**Connector assignment of rear roller blind control unit -J262-**

-T4eh- (A)	Designation
1	Terminal 15
2	Terminal 31
3	Rear roller blind switch -E149-
4	

Back to overview ⇒ [page 1](#)

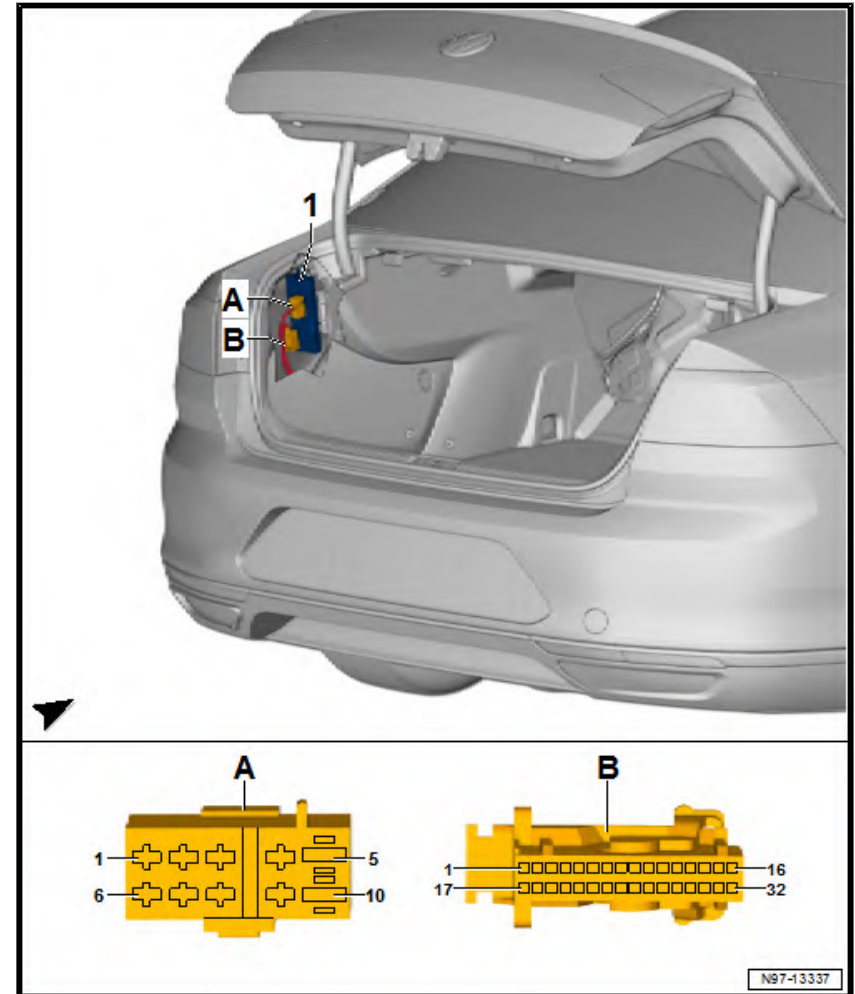
## 1.13 Rear lid control unit -J605-

### 1.13.1 Rear lid control unit -J605- , saloon

Fitting location:

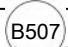
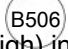
on left in luggage compartment.

- 1 - Rear lid control unit -J605-
- A - 10-pin connector -T10am-
- B - 32-pin connector -T32e-



Connector assignment for rear lid control unit -J605-

- T10aum- (A)	Designation	-T32e- (B)	Designation	-T32e- (B)	Designation
1	Terminal 30	1	Anti-trapping sender 2 -G753-	17	
2	Motor 1 for rear lid -V444-	2	Anti-trapping sender -G673-	18	
3	Motor 2 for rear lid -V445-	3	Anti-trapping sender -G673- Anti-trapping sender 2 -G753-	19	

- T10aum- (A)	Designation	-T32e- (B)	Designation	-T32e- (B)	Designation
4	Motor 1 for rear lid -V444-	4		20	
5	Power latching motor for rear lid -V382-	5	Rear lid warning buzzer -H32-	21	Rear lid warning buzzer -H32-
6	Terminal 31	6		22	
7		7	Power latching for rear lid -VX16-	23	
8		8		24	Sensor in motor 2 for rear lid -G746-
9	Motor 2 for rear lid -V445-	9		25	Sensor in motor 2 for rear lid -G746-
10	Power latching motor for rear lid -V382-	10	Sensor in motor 1 for rear lid -G745-	26	Sensor in motor 1 for rear lid -G745-
		11	Sensor in motor 2 for rear lid -G746-	27	Sensor in motor 1 for rear lid -G745-
		12	Sensor in motor 2 for rear lid -G746-	28	Sensor in motor 1 for rear lid -G745-
		13		29	
		14	Rear lid closure button -E574-	30	
		15		31	 Connection (convenience CAN bus, low) in interior wiring harness
		16		32	 Connection (convenience CAN bus, high) in interior wiring harness

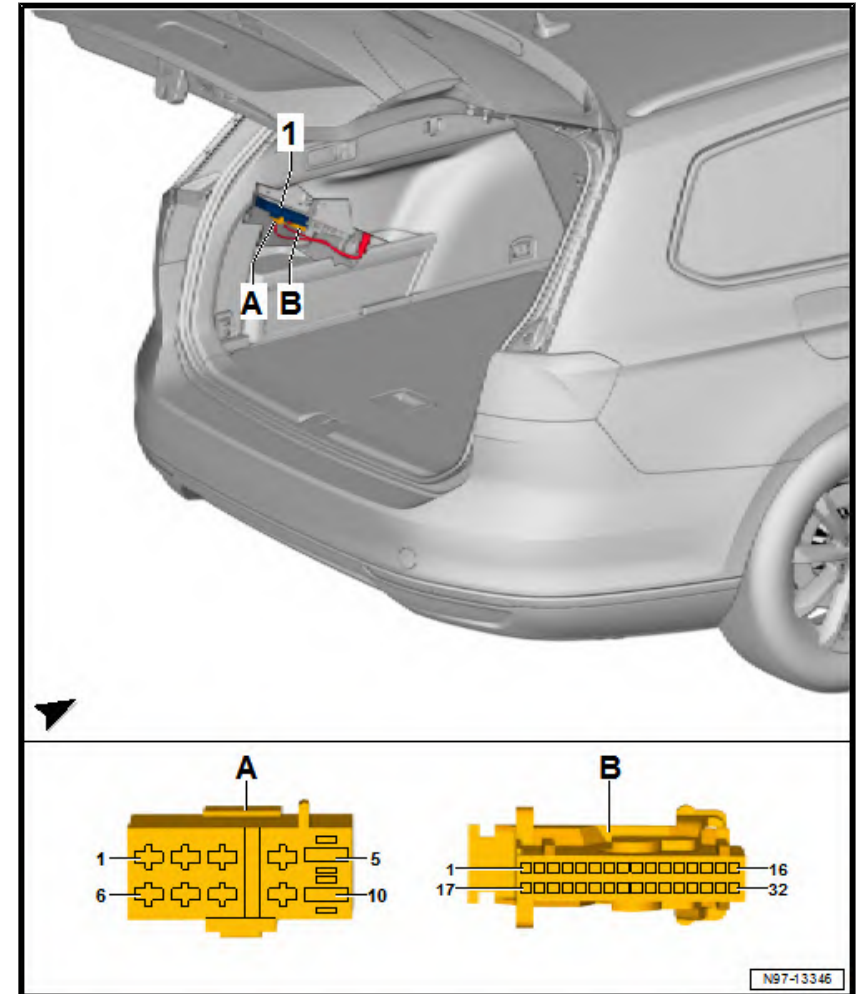
Back to overview ⇒ [page 1](#)

### 1.13.2 Rear lid control unit -J605- , estate

Fitting location:

on left in luggage compartment.



- 1 - Rear lid control unit -J605-
- A - 10-pin connector -T10am-
- B - 32-pin connector -T32e-



**Connector assignment for rear lid control unit -J605-**

-T10am- (A)	Designation	-T32e- (B)	Designation	-T32e- (B)	Designation
1	Terminal 30	1	Anti-trapping sender 2 -G753-	17	
2	Motor 1 for rear lid -V444-	2	Anti-trapping sender -G673-	18	
3	Motor 2 for rear lid -V445-	3	Anti-trapping sender -G673- Anti-trapping sender 2 -G753-	19	



-T10am-(A)	Designation	-T32e-(B)	Designation	-T32e-(B)	Designation
4	Motor 1 for rear lid -V444-	4		20	
5	Power latching motor for rear lid -V382-	5	Rear lid warning buzzer -H32-	21	Rear lid warning buzzer -H32-
6	Terminal 31	6		22	
7		7	Power latching for rear lid -VX16-	23	
8		8		24	Sensor in motor 2 for rear lid -G746-
9	Motor 2 for rear lid -V445-	9		25	Sensor in motor 2 for rear lid -G746-
10	Power latching motor for rear lid -V382-	10	Sensor in motor 1 for rear lid -G745-	26	Sensor in motor 1 for rear lid -G745-
		11	Sensor in motor 2 for rear lid -G746-	27	Sensor in motor 1 for rear lid -G745-
		12	Sensor in motor 2 for rear lid -G746-	28	Sensor in motor 1 for rear lid -G745-
		13		29	
		14	Rear lid closure button -E574-	30	
		15		31	 Connection (convenience CAN bus, low) in interior wiring harness
		16		32	 Connection (convenience CAN bus, high) in interior wiring harness

[Back to overview](#) ⇒ [page 3](#)

### 1.14 Lane change assist control unit 2 -J770-

Fitting location:

under bumper on left

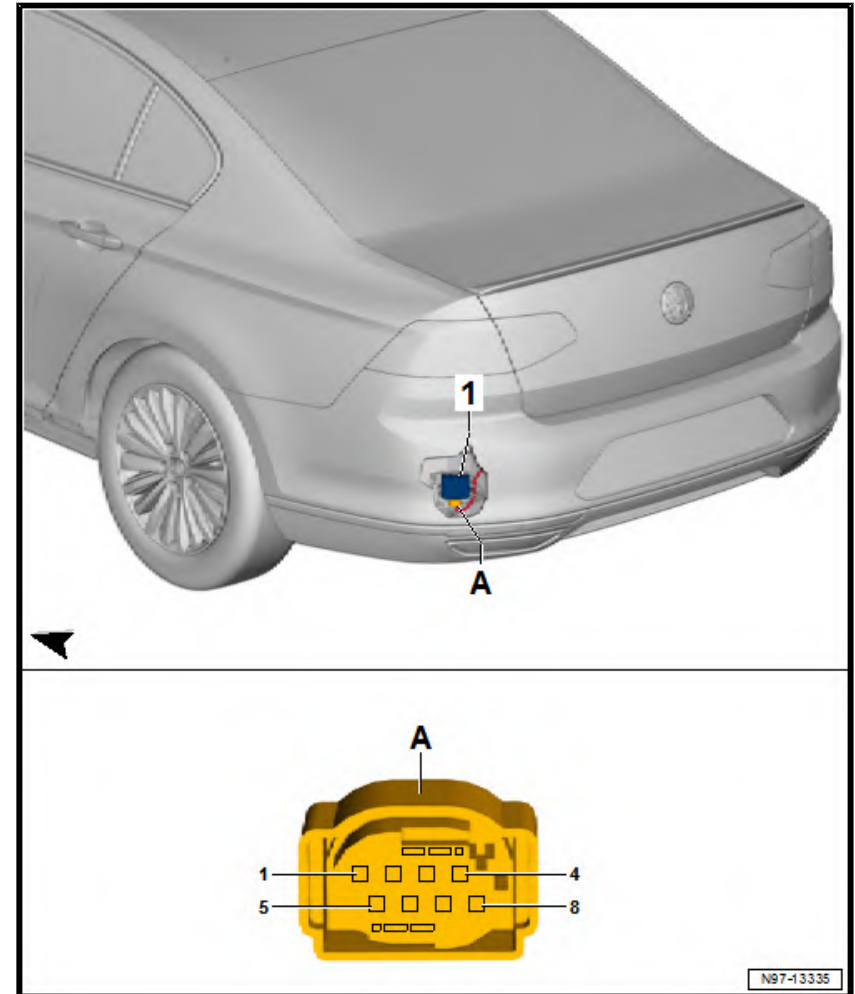


Note

*The fitting locations are identical on saloon and estate models.*

1 - Lane change assist control unit 2 -J770-

A - 8-pin connector -T8ba-



Connector assignment for lane change assist control unit 2 -J770-

-T8ba- (A)	Designation
1	Terminal 31
2	(B108) Connection 1 (CAN bus extended, high), in main wiring harness
3	(B109) Connection 1 (CAN bus extended, low) in main wiring harness
4	Lane change assist warning lamp in left exterior mirror -K312-
5	Lane change assist control unit -J769-

-T8ba- (A)	Designation
6	Lane change assist control unit -J769-
7	Lane change assist warning lamp in left exterior mirror -K312-
8	Terminal 15

Back to overview ⇒ [page 1](#)

### 1.15 Battery monitor control unit -J367-

Fitting location:

on battery at rear.

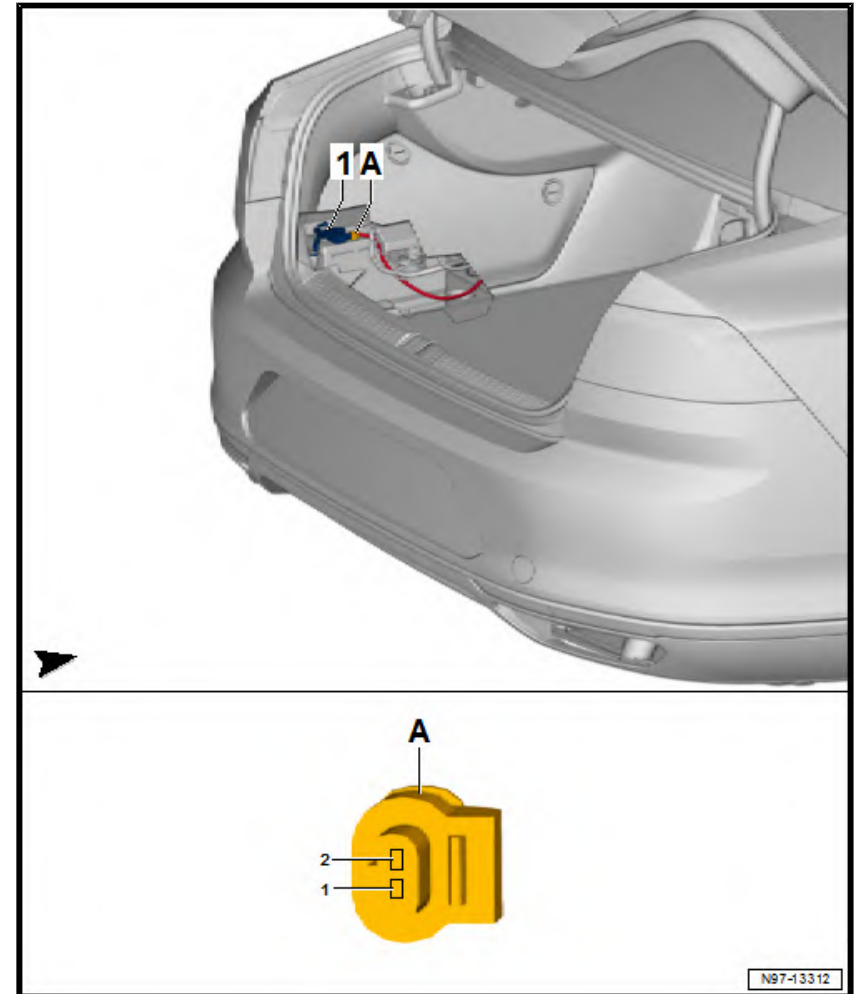


Note

- ◆ *Only models with battery at rear*
- ◆ *The fitting locations are identical on saloon and estate models.*

1 - Battery monitor control unit -J367-

A - 2-pin connector -T2me-



Connector assignment for battery monitor control unit -J367-

-T2me- (A)	Designation
1	LIN bus
2	Terminal 15

Back to overview ⇒ [page 1](#)

1.16 Trailer detector control unit -J345-

1.16.1 Trailer detector control unit -J345- , saloon

Fitting location:

on left in luggage compartment.

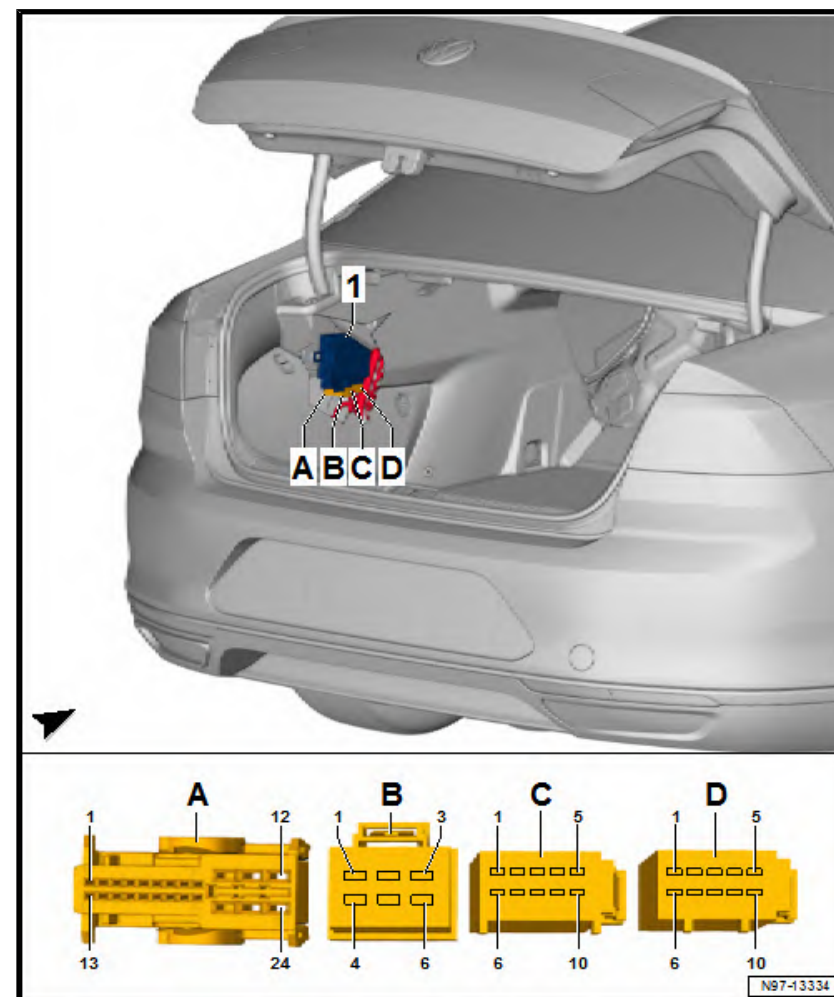
1 - Trailer detector control unit -J345-

A - 24-pin connector -T24-

B - 6-pin connector -T6av-

C - 10-pin connector -T10ak-

D - 10-pin connector -T10al-



Connector assignment for trailer detector control unit -J345-

-T24- (A)	Designation		-T24- (A)	Designation
1	Trailer socket -U10-		13	Hinged tow attachment ball head motor -V317-
2	Trailer socket -U10-		14	Hinged tow attachment ball head motor -V317-
3	Trailer socket -U10-		15	Trailer socket -U10-
4			16	
5	Trailer towing coupling -VX15-		17	
6	Trailer towing coupling -VX15-		18	Trailer socket -U10-
7	Trailer towing coupling -VX15-		19	Trailer socket -U10-
8			20	
9	Trailer towing coupling -VX15-		21	
10	Trailer towing coupling -VX15-		22	
11			23	Trailer socket -U10-
12	Trailer socket -U10-		24	Trailer socket -U10-

-T6av- (B)	Designation	-T10ak- (C)	Designation	-T10al- (D)	Designation
1	Terminal 30	1	A192 Positive connection 3 (15a) in dash panel wiring harness	1	Electric hinged tow coupling attachment button -E474-
2	Terminal 31	2	B160 Connection (brake system monitor), in interior wiring harness	2	
3	Terminal 30	3	B506 Connection (convenience CAN-bus, high) in interior wiring harness	3	Electric hinged tow coupling attachment button -E474-
4	Terminal 30	4	B507 Connection (convenience CAN-bus, low) in interior wiring harness	4	Electric hinged tow coupling attachment button -E474-
5	Terminal 30	5		5	
6	Terminal 30	6		6	
		7		7	
		8		8	Electric hinged tow coupling attachment button -E474-
		9		9	
		10		10	

Back to overview ⇒ [page 1](#)

### 1.16.2 Trailer detector control unit -J345- , estate

Fitting location:

on left in luggage compartment.

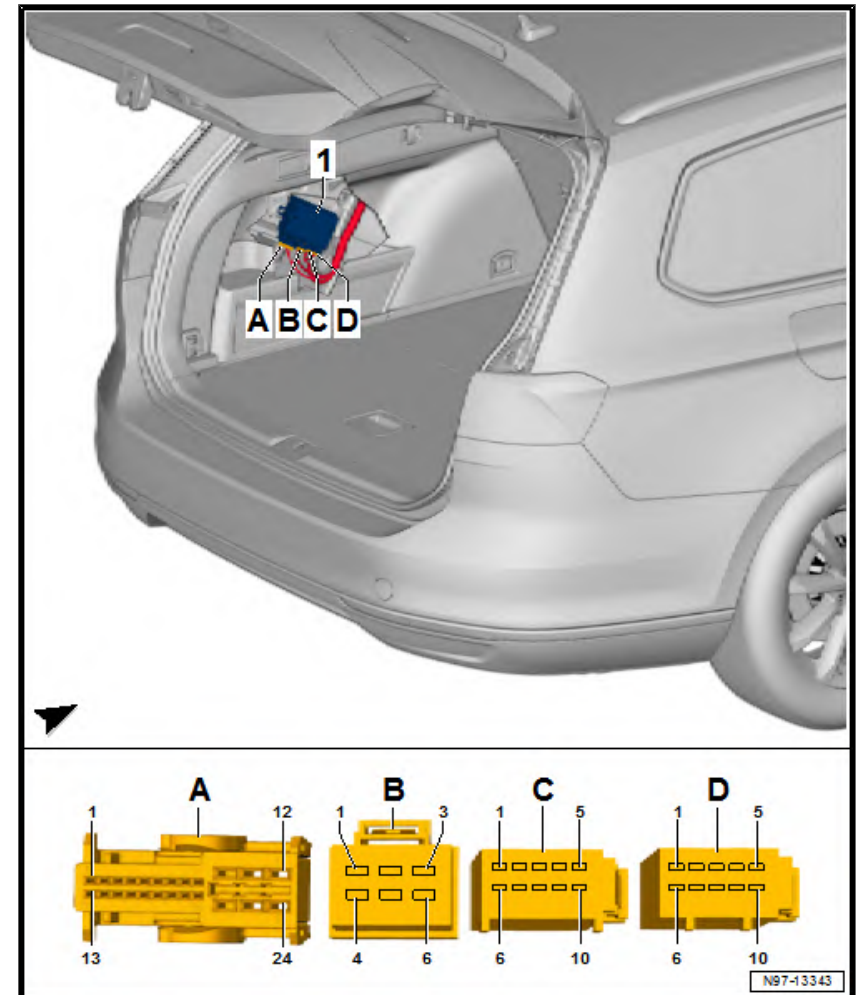
1 - Trailer detector control unit -J345-

A - 24-pin connector -T24-

B - 6-pin connector -T6av-

C - 10-pin connector -T10ak-

D - 10-pin connector -T10al-



Connector assignment for trailer detector control unit -J345-

-T24- (A)	Designation		-T24- (A)	Designation
1	Trailer socket -U10-		13	Hinged tow attachment ball head motor -V317-
2	Trailer socket -U10-		14	Hinged tow attachment ball head motor -V317-
3	Trailer socket -U10-		15	Trailer socket -U10-
4			16	
5	Trailer towing coupling -VX15-		17	
6	Trailer towing coupling -VX15-		18	Trailer socket -U10-
7	Trailer towing coupling -VX15-		19	Trailer socket -U10-
8			20	
9	Trailer towing coupling -VX15-		21	
10	Trailer towing coupling -VX15-		22	
11			23	Trailer socket -U10-
12	Trailer socket -U10-		24	Trailer socket -U10-

-T6av- (B)	Designation	-T10ak- (C)	Designation	-T10al- (D)	Designation
1	Terminal 30	1	A192 Positive connection 3 (15a) in dash panel wiring harness	1	Electric hinged tow coupling attachment button -E474-
2	Terminal 31	2	B160 Connection (brake system monitor), in interior wiring harness	2	
3	Terminal 30	3	B506 Connection (convenience CAN-bus, high) in interior wiring harness	3	Electric hinged tow coupling attachment button -E474-
4	Terminal 30	4	B507 Connection (convenience CAN-bus, low) in interior wiring harness	4	Electric hinged tow coupling attachment button -E474-
5	Terminal 30	5		5	
6	Terminal 30	6		6	
		7		7	
		8		8	Electric hinged tow coupling attachment button -E474-
		9		9	
		10		10	



Back to overview ⇒ [page 3](#)

## 1.17 Delivery unit for reducing agent metering system -GX19-

Fitting location:

at bottom of rear right wheel housing



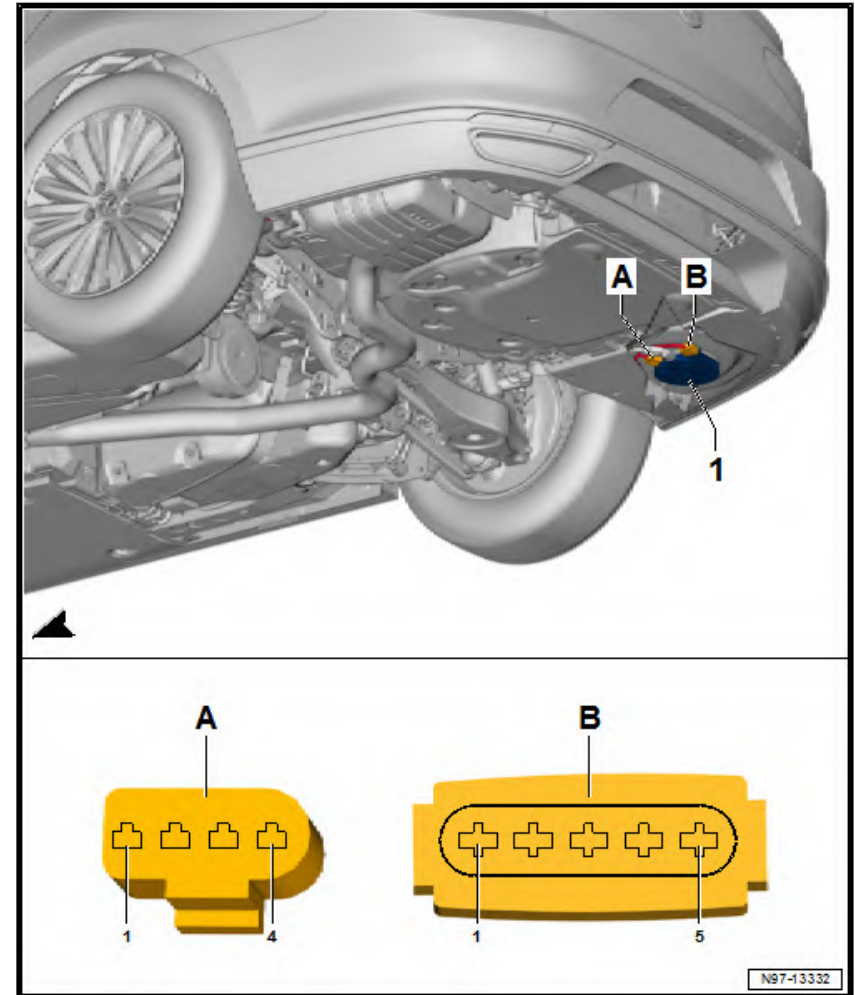
Note

*The fitting locations are identical on saloon and estate models.*

1 - Delivery unit for reducing agent metering system -GX19-

A - 4-pin connector -T4fj-

B - 5-pin connector -T5az-



Connector assignment of delivery unit for reducing agent metering system -GX19-

-T4fj- (A)	Designation	-T5az- (B)	Designation
1	(B600) Positive connection 4 (87a), in interior wiring harness	1	Terminal 31
2	Engine/motor control unit -J623-	2	Control unit for reducing agent heater -J891-
3	Engine/motor control unit -J623-	3	(B600) Positive connection 4 (87a), in interior wiring harness
4	(B600) Positive connection 4 (87a), in interior wiring harness	4	Terminal 31

-T4fj- (A)	Designation	-T5az- (B)	Designation
		5	Engine/motor control unit -J623-

Back to overview ⇒ [page 1](#)

### 1.18 All-wheel drive control unit -J492-

Fitting location:

on rear axle

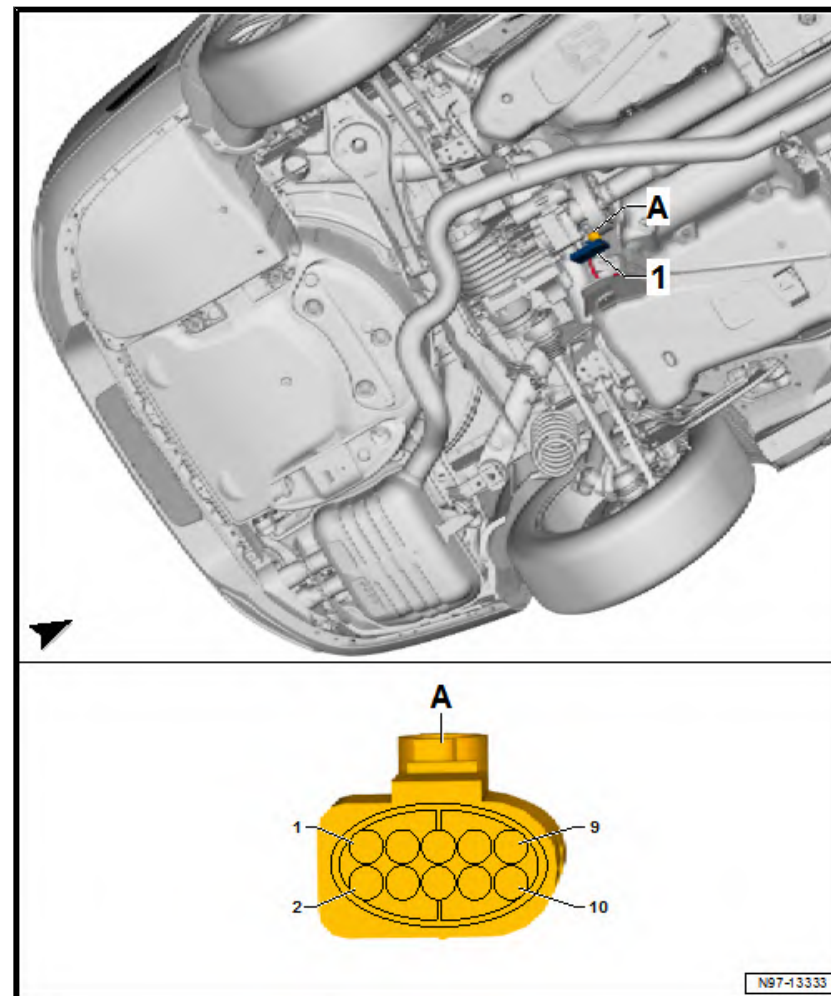


Note

*The fitting locations are identical on saloon and estate models.*

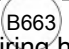
1 - All-wheel drive control unit -J492-

A - 10-pin connector -T10-



Connector assignment for all-wheel drive control unit -J492-

-T10- (A)	Designation	-T10- (A)	Designation
1	Terminal 15	6	
2	(B664) Connection (running gear sensors CAN bus, low) in main wiring harness	7	Terminal 31
3	Terminal 30	8	

-T10- (A)	Designation	-T10- (A)	Designation
4	 Connection (running gear sensors CAN bus, high) in main wiring harness	9	All-wheel drive coupling pump -V181-
5		10	All-wheel drive coupling pump -V181-

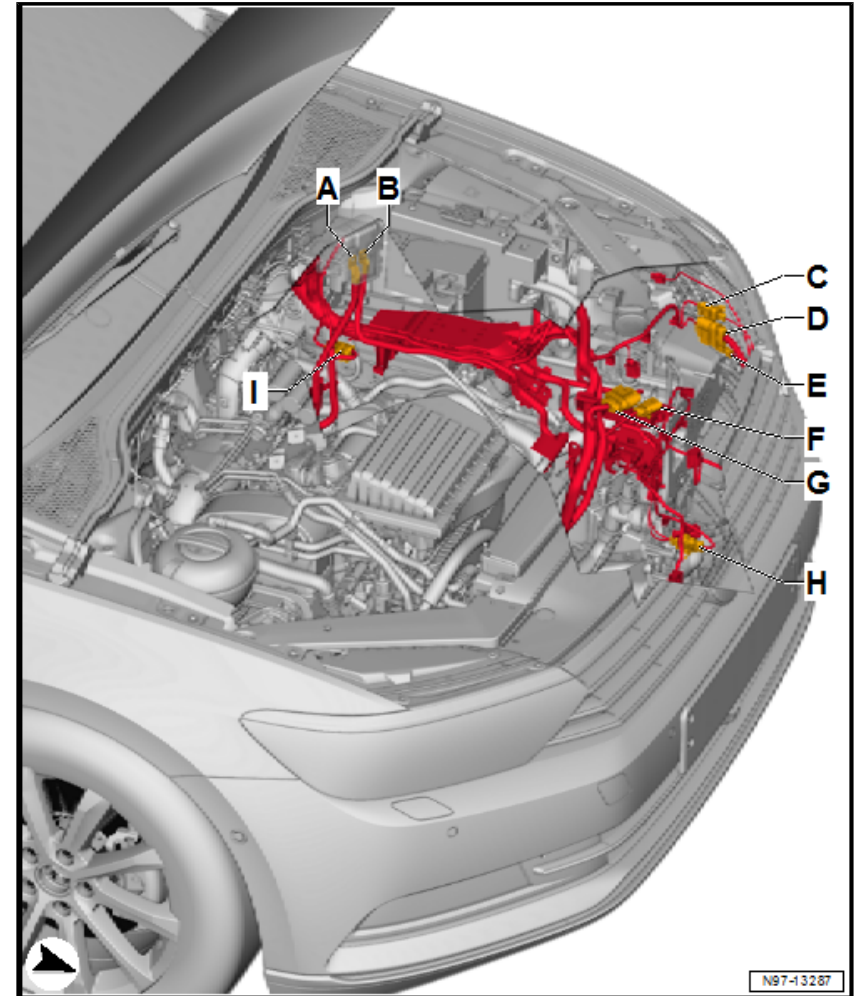
Back to overview [⇒ page 1](#)

1 Coupling points

1.1 Coupling point in engine compartment, left -TML-

1.1.1 Coupling point in engine compartment, left -TML-

- A -  
Jump start connection -TV32-  
 Only models with battery at rear
- B -  
Jump start connection -TV32-  
 Only models with battery at rear
- C -  
3-pin connector -T3ak- , black/ 3-pin connector -T3bi- , black  
 Coupling point ambient temperature sensor -G17-
- D -  
14-pin connector -T14ag- , black/ 14-pin connector -T14l- , black  
 Front bumper coupling point
- E -  
5-pin connector -T5w- , black/ 5-pin connector -T5u- , black  
 Coupling point for front overhead view camera -R243-
- F -  
8-pin connector -T8aa- , black/ 8-pin connector -T8bo- , black  
 Only models with diesel engine
- F -  
4-pin connector -T4gm- , black/ 4-pin connector -T4bm- , black  
 Only models with petrol engine
- F -  
10-pin connector -T10bb- , black/ 10-pin connector -T10bk- , black  
 Only models with a 1.8–2.0l petrol engine



**G -**  
14-pin connector -T14ae- , grey/ 14-pin connector -T14k-  
, grey

- Coupling point for engine prewiring harness

**H -**  
10-pin connector -T10ba- , black/ 10-pin connector -T10-  
, black

- Coupling point for adaptive cruise control unit -J428-

**I -**  
6-pin connector -T6bh- , black/ 6-pin connector -T6cv-  
, black

- Coupling point for power steering control unit -J500-

**I -**  
10-pin connector -T10ay- , black/ 10-pin connector -T10be-  
, black

- Coupling point for power steering control unit -J500-
- Only models with diesel engine

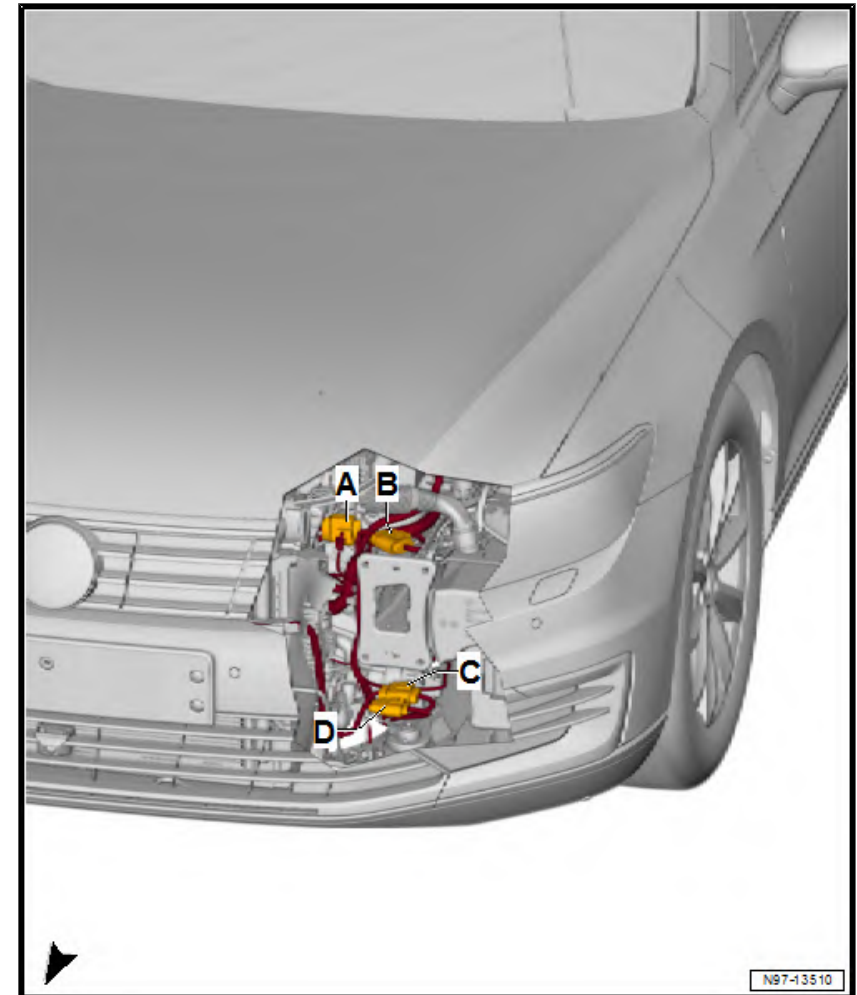
1.1.2 Coupling point on left in engine compartment -TML- , only models with hybrid drive system

A -  
14-pin connector -T14b- , black/ 14-pin connector -T14an-  
, black

B -  
14-pin connector -T14ao- , grey/ 14-pin connector -T14c-  
, grey

C -  
14-pin connector -T14al- , grey/ 14-pin connector -T14-  
, grey

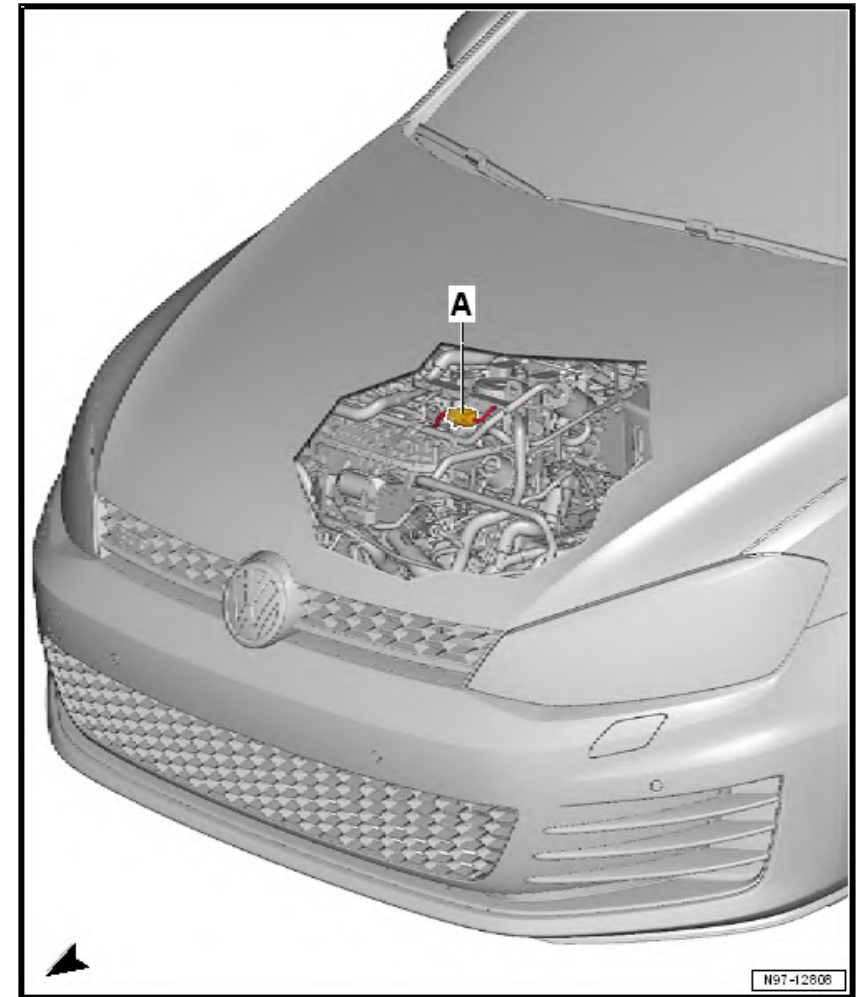
D -  
14-pin connector -T14am- , black/ 14-pin connector -T14a-  
, black



1.2 Coupling point on engine, top centre -TMOM-



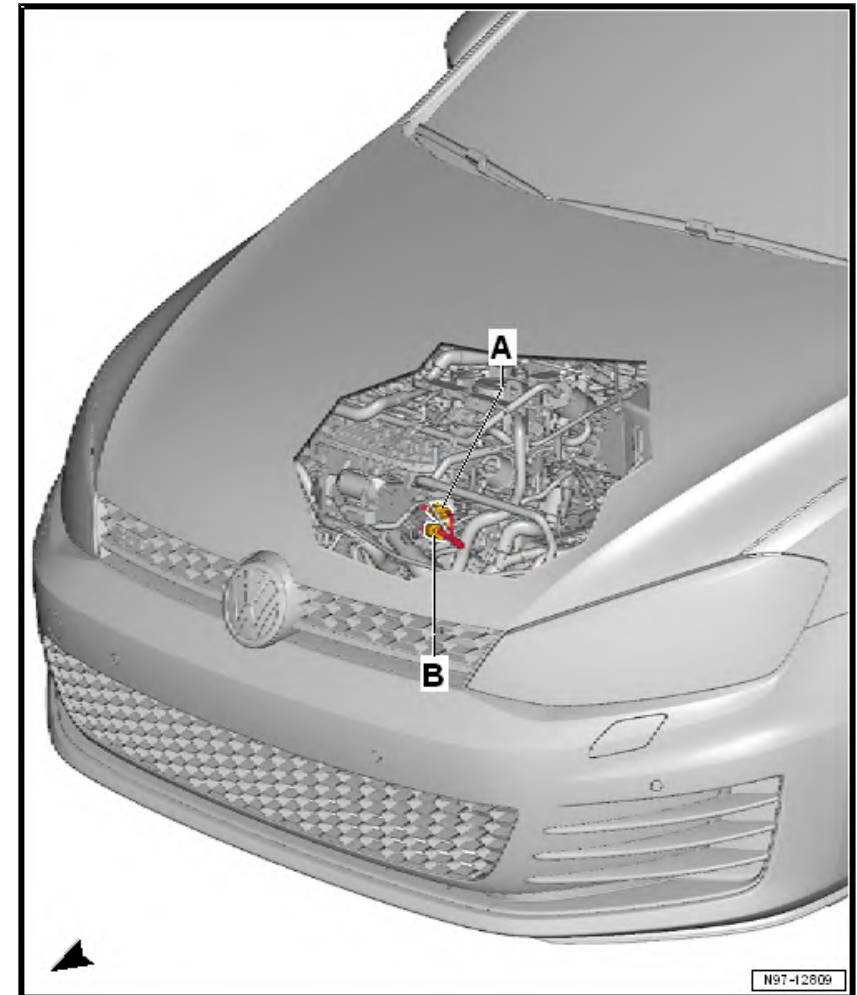
A -  
8-pin connector -T8f- , black/ 8-pin connector -T8cj- ,  
black



1.3 Coupling point on engine, top left -TMOL-

A -  
8-pin connector -T8h- , black/ 8-pin connector -T8cm- ,  
black

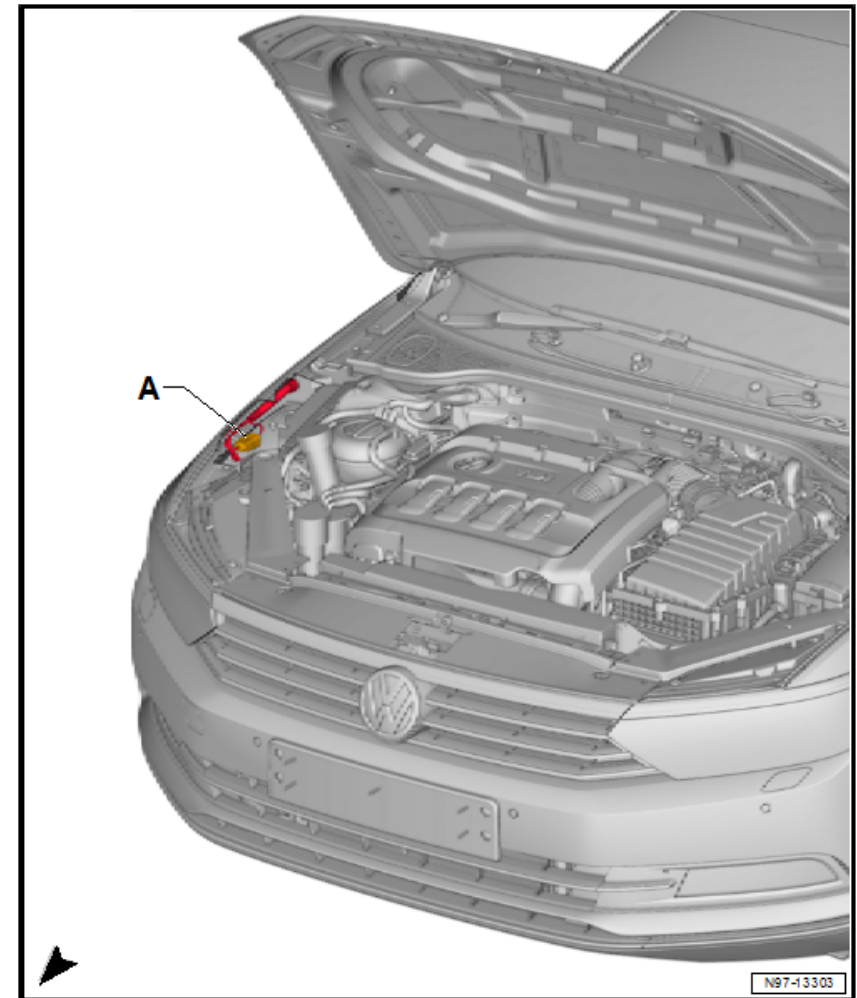
B -  
14-pin connector -T14aq- , black/ 14-pin connector -T14ar-  
, black



1.4 Coupling point for headlight washer system -TSRA-

A -  
6-pin connector -T6o- , black/ 6-pin connector -T6bb-  
, black

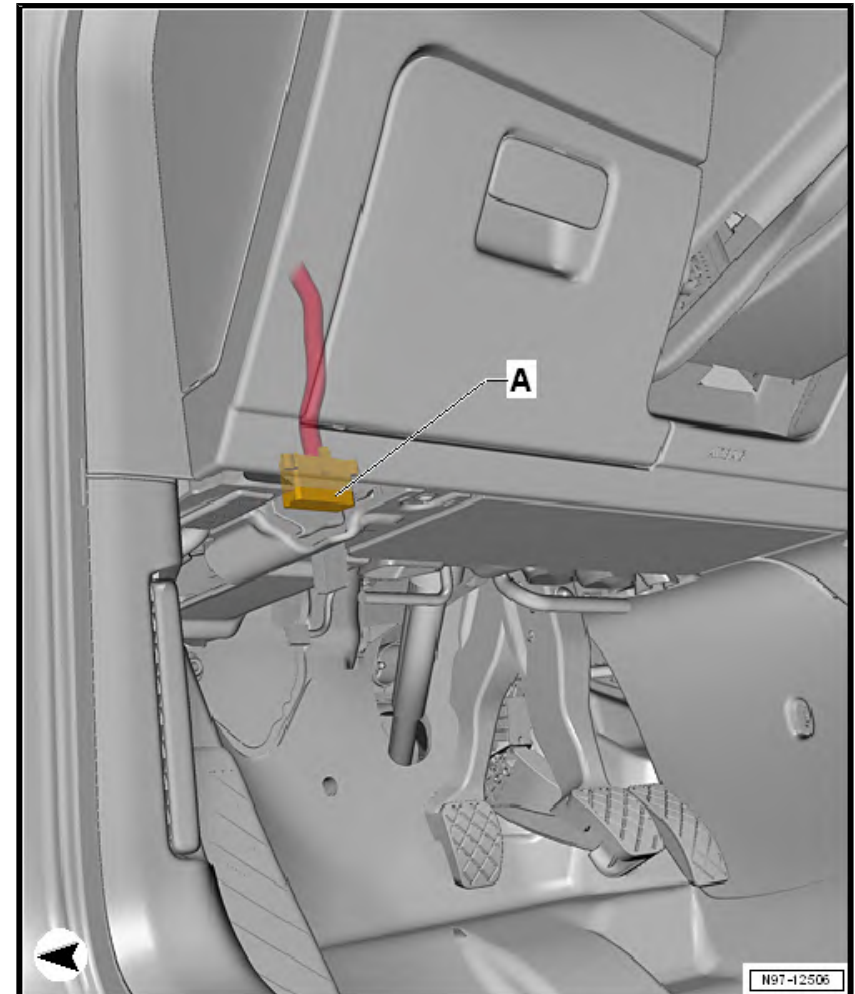
- According to equipment



1.5 Diagnostic connection -U31-

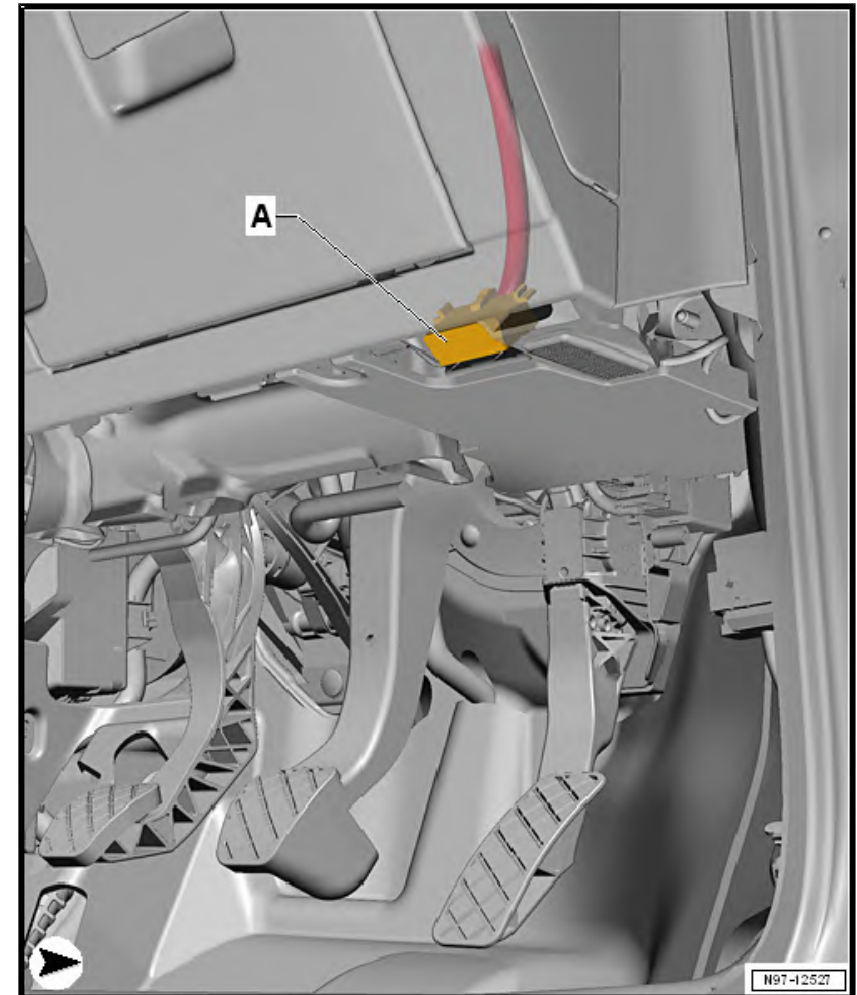
1.5.1 Diagnostic connection -U31- , LHD models

A -  
16-pin connector -T16h- , black



1.5.2 Diagnostic connection -U31- , RHD models

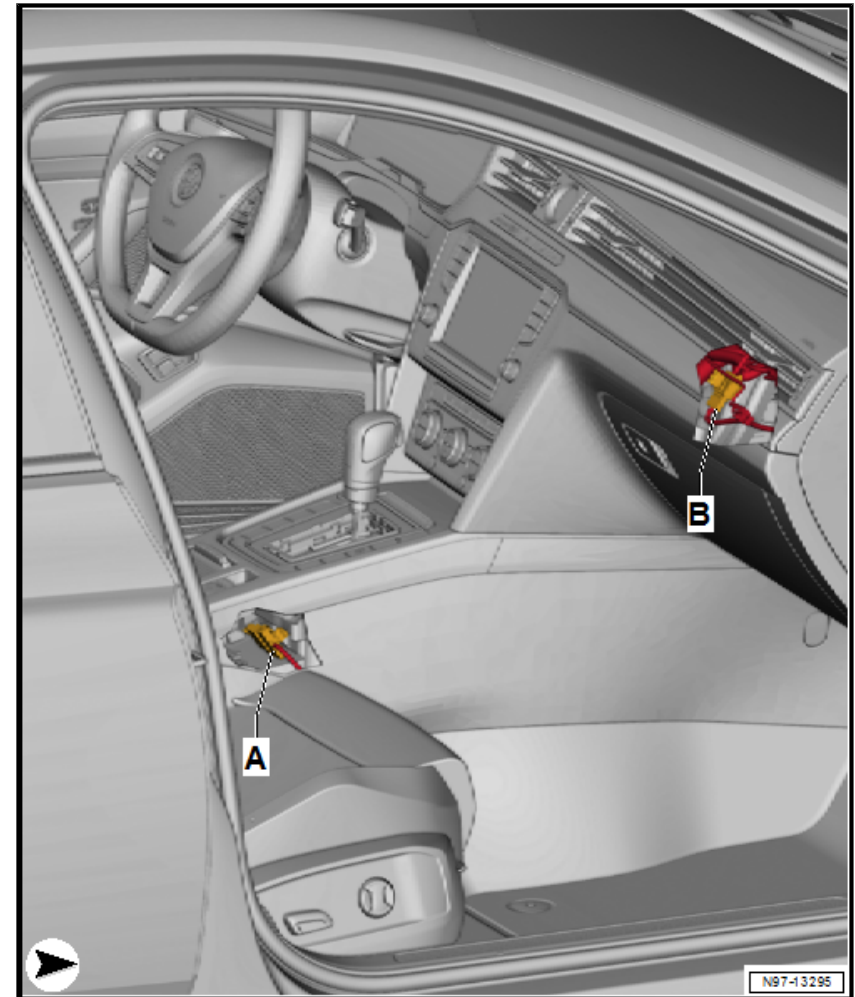
A - 16-pin connector -T16h- , black



1.6 Coupling point in interior -TI-, LHD models

A -  
8-pin connector -T8ar-, black/ 8-pin connector -T8bx-,  
black

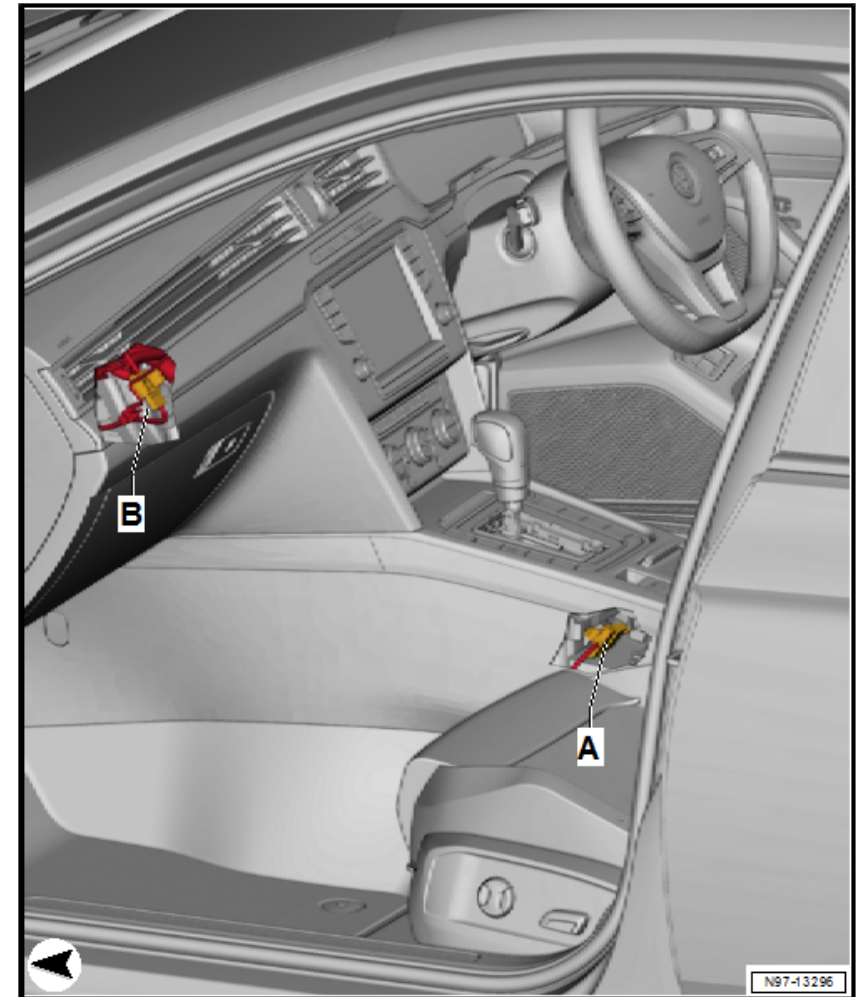
B -  
5-pin connector -T5b-, black/ 5-pin connector -T5aq-,  
black



1.7 Coupling point in interior -TI- , RHD models

A - 8-pin connector -T8ar- , black/ 8-pin connector -T8bx- , black

B - 5-pin connector -T5b- , black/ 5-pin connector -T5aq- , black





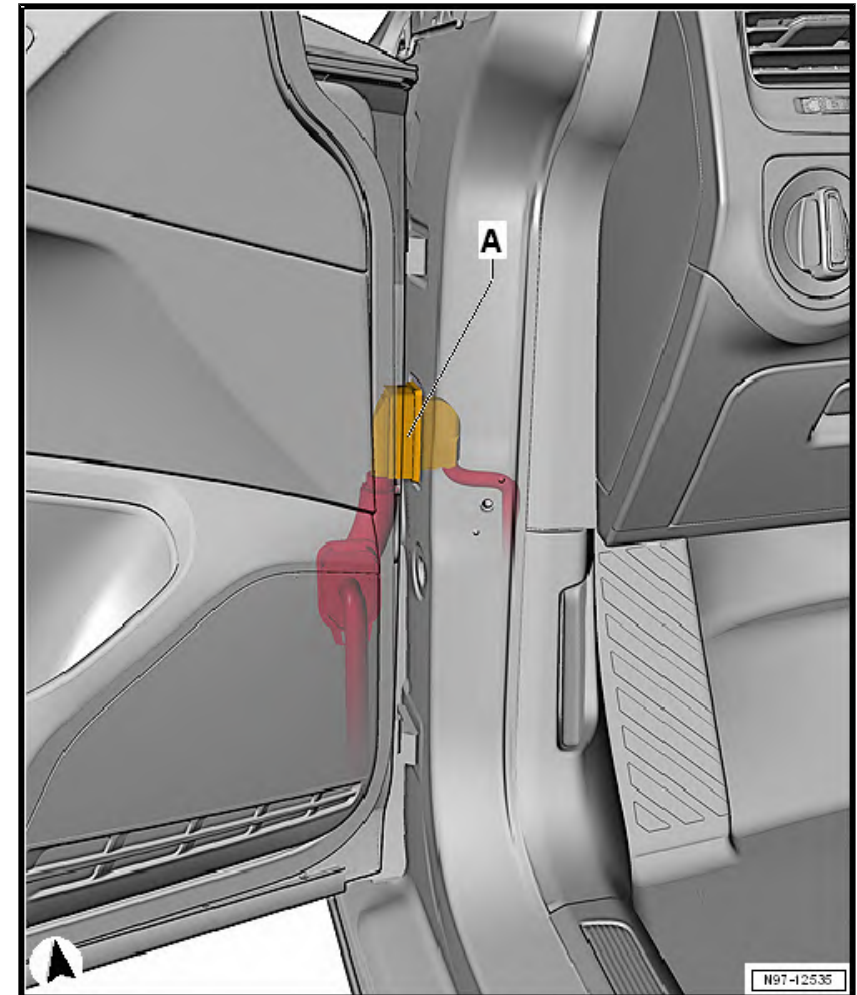
1.8 Coupling point on front left door -TTVL-

A -  
27-pin connector -T27- , black/ 27-pin connector -T27g-  
, black

- Only models with no overhead view camera

A -  
29-pin connector -T29- , white/ 29-pin connector -T29c-  
, white

- Only models with overhead view camera





**1.9 Coupling point in front left door -TTIVL-**

**A -**  
**4-pin connector -T4hs- , black/ 4-pin connector -T4at-**  
**, black**

- Coupling point for driver exterior door handle -EX6-
- Only models with entry and start authorisation

**B -**  
**2-pin connector -T2dv- , black**

- Coupling point for lane change assist warning lamp in left exterior mirror -K312-
- Only models with lane change assist

**C -**  
**5-pin connector -T5ae- , blue**

- Coupling point for left overhead view camera -R244-
- Only models with overhead view camera

**D -**  
**4-pin connector -T4as- , black/ 4-pin connector -T4af-**  
**, black**

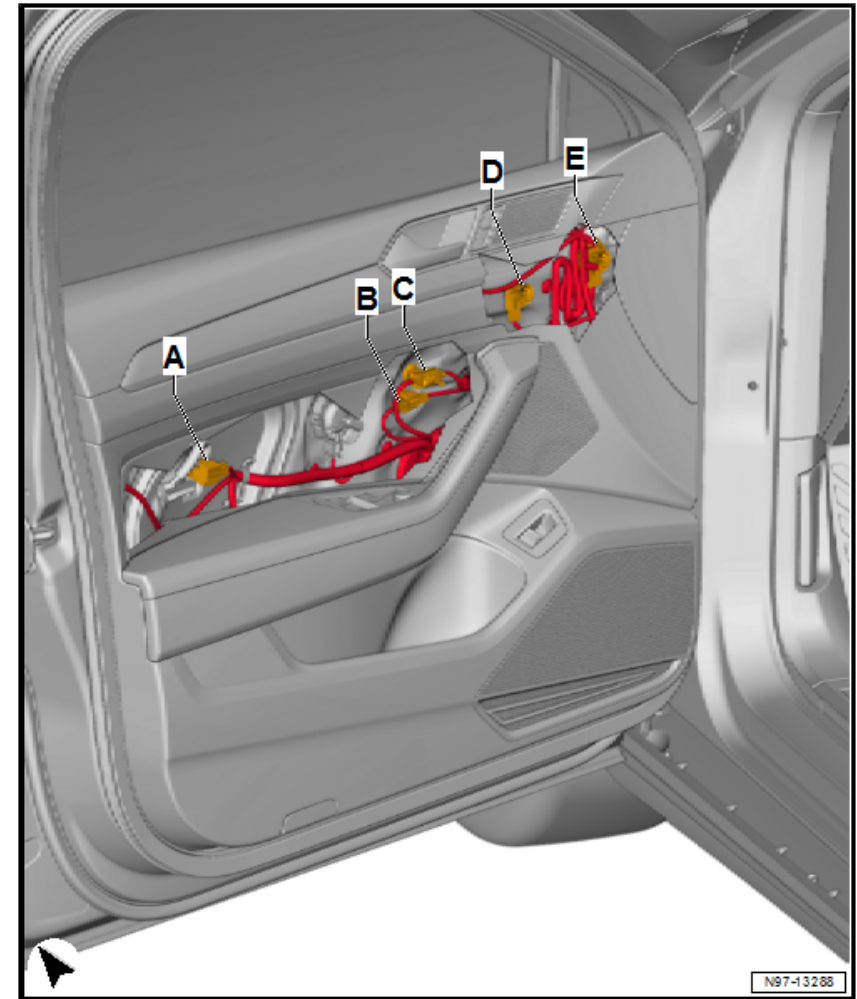
- Coupling point for loudspeakers
- Only models with Dynaudio sound system

**D -**  
**2-pin connector -T2df- , black/ 2-pin connector -T2rc-**  
**, black**

- Coupling point for loudspeakers
- According to equipment

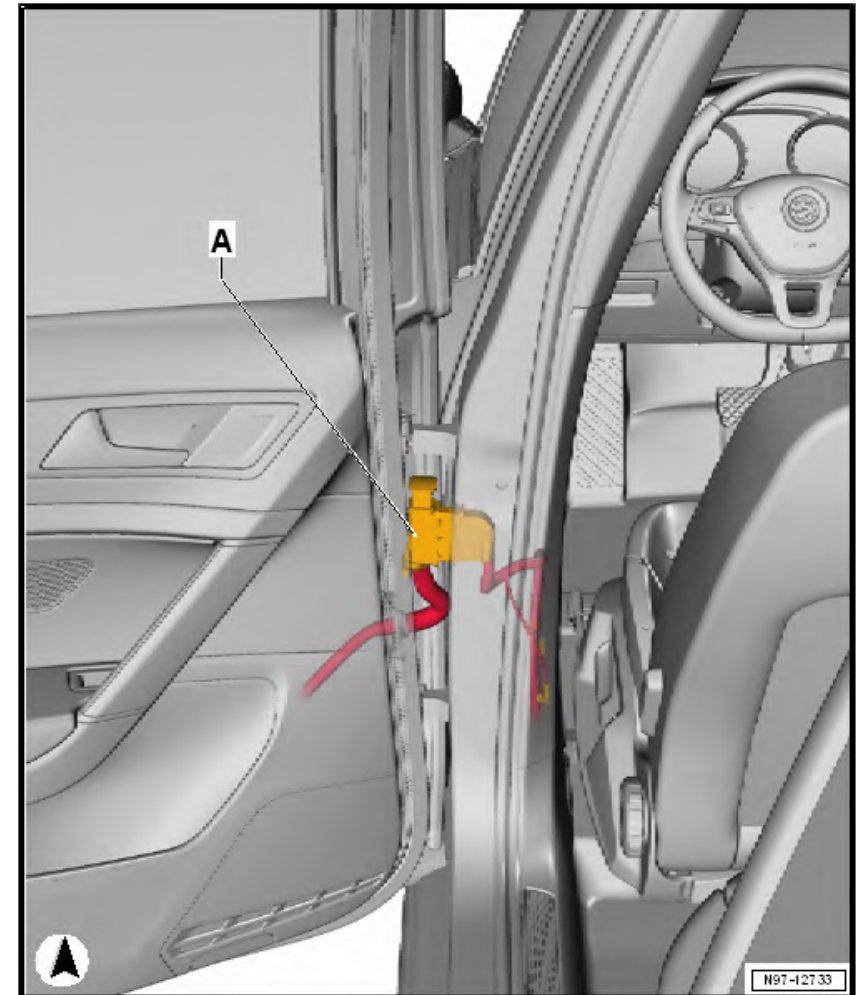
**E -**  
**8-pin connector -T8s- , black/ 8-pin connector -T8ag-**  
**black**

- Coupling point for loudspeakers and ambient lighting
- Only models with ambient lighting, version 2



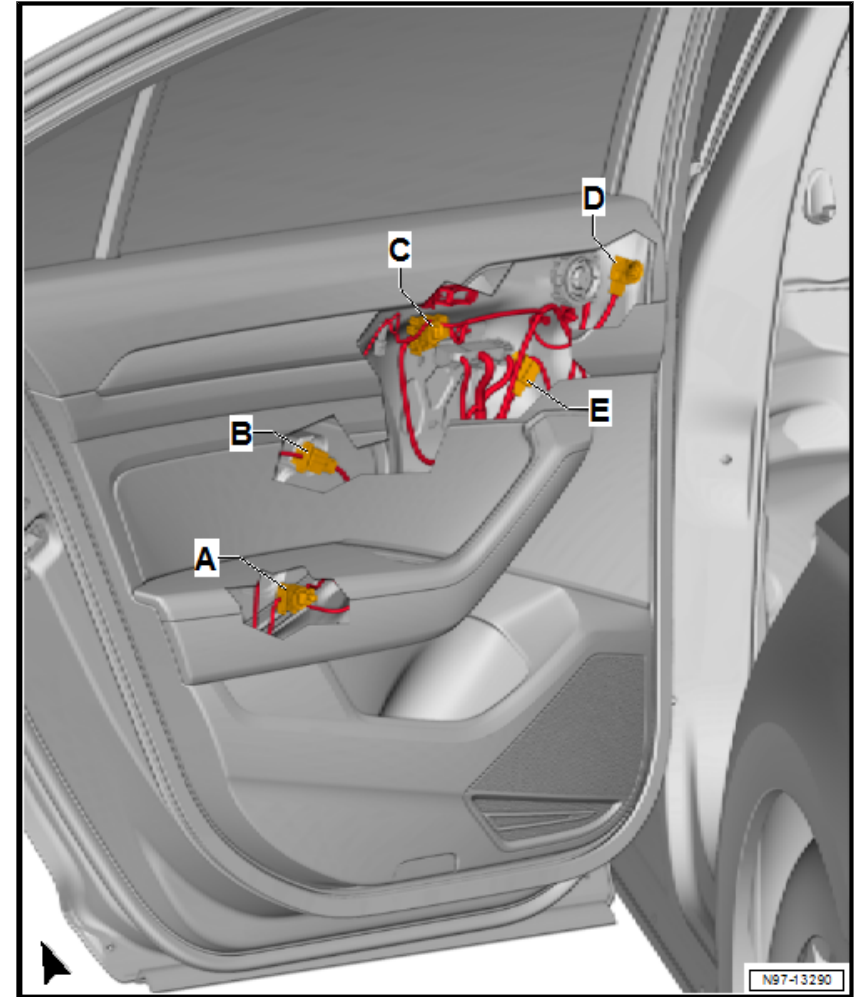
1.10 Coupling point on rear left door -TTHL-

A -  
27-pin connector -T27b- , black/ 27-pin connector -T27e-  
, black



**1.11 Coupling point in rear left door -TTIHL-**

- A -**  
4-pin connector -T4cc- , black/ 4-pin connector -T4bb- , black
  - Coupling point for rear left window regulator motor -V26-
  - Only models with rear door control unit
- B -**  
4-pin connector -T4ay- , black/ 4-pin connector -T4bi- , black
  - Only models with entry and start authorisation
- C -**  
8-pin connector -T8x- , black/ 8-pin connector -T8ai- , black
  - Coupling point for loudspeakers and ambient lighting
  - Only models with ambient lighting, version 2
- D -**  
2-pin connector -T2ed- , black/ 2-pin connector -T2fj- , black
  - Coupling point for loudspeakers
  - Only models with Dynaudio sound system
- E -** 2-pin connector -T2ed- , black/ 2-pin connector -T2fj- , black
  - Coupling point for loudspeakers
  - According to equipment



1.12 Coupling point for all-wheel drive -TSAA-

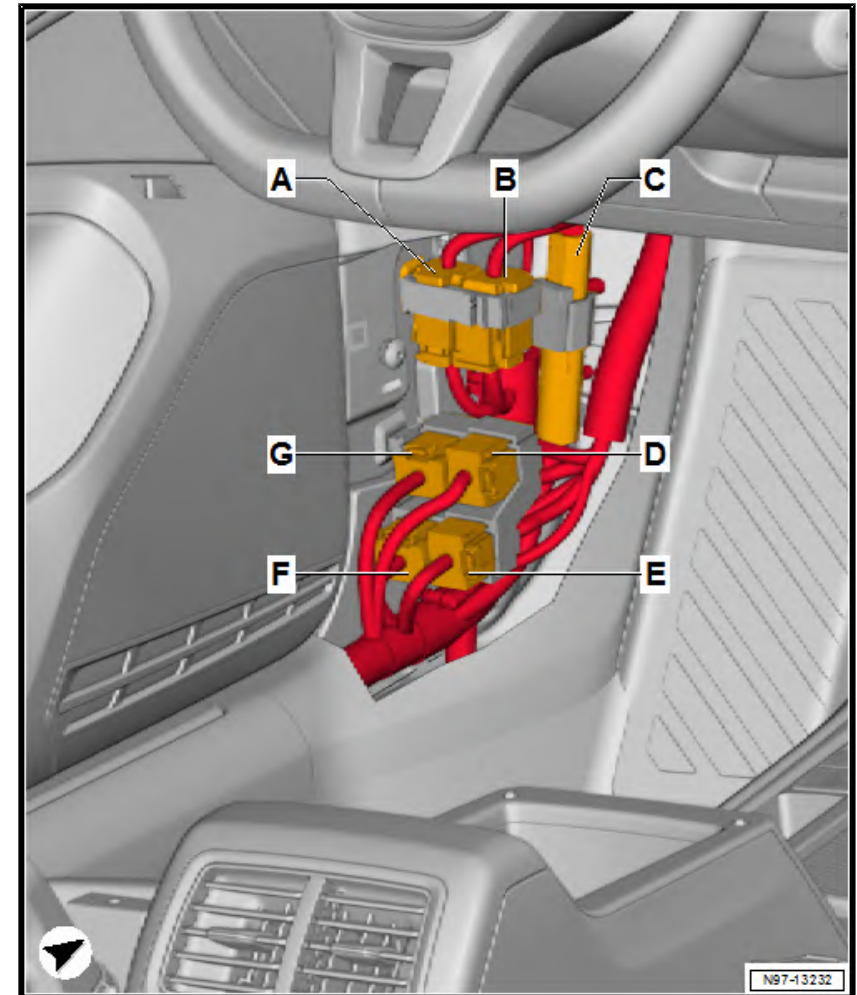
A -  
6-pin connector -T6au- , black

B -  
6-pin connector -T6a- , black



1.13 Coupling point in interior, below left -TIUL-

- A -  
17-pin connector -T17d- , white/ 17-pin connector -T17l-  
, white
- B -  
17-pin connector -T17e- , green/ 17-pin connector -T17m-  
, green
- C -  
5-pin connector -T5bh- , black/ 5-pin connector -T5bz-  
, black
  - Coupling point for front overhead view camera -R243-
  - Illustration of connector similar
- C -  
Single-pin connector -T11ty- , black/ single-pin connector -T11km-  
, black
  - Only models with hybrid drive system
- D -  
17-pin connector -T17i- , brown/ 17-pin connector -T17a-  
, brown
- E -  
17-pin connector -T17k- , blue/ 17-pin connector -T17c-  
, blue
- F -  
17-pin connector -T17b- , red/ 17-pin connector -T17j-  
, red
- G -  
17-pin connector -T17- , black/ 17-pin connector -T17h-  
, black



1.14 Coupling point in interior, below left -TIUL- , only vehicles with special equipment

1 - Single-pin connector -T1ty- , black/ single-pin connector -T1km- , black

According to equipment

2 -  
2-pin connector -T2db- , black/ 2-pin connector -T2sc- , black

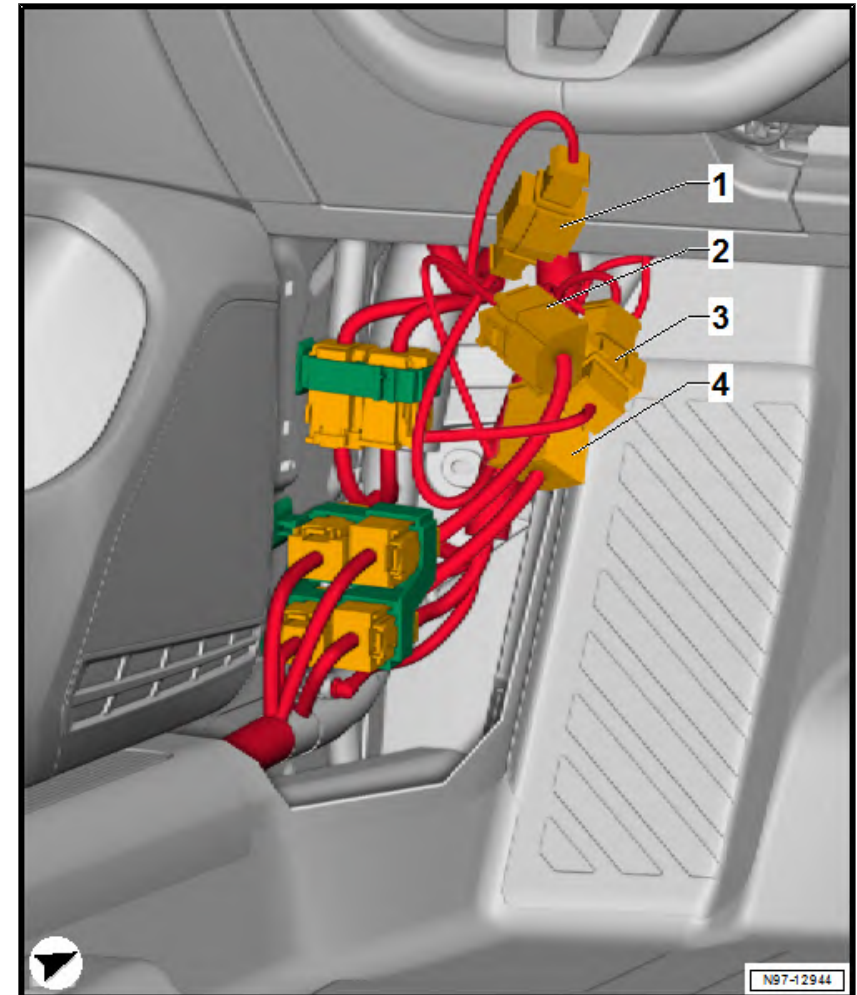
According to equipment

3 -  
6-pin connector -T6cc- , black/ 6-pin connector -T6cd- , black

According to equipment

4 -  
6-pin connector -T6di- , black/ 6-pin connector -T6dj- , black

According to equipment

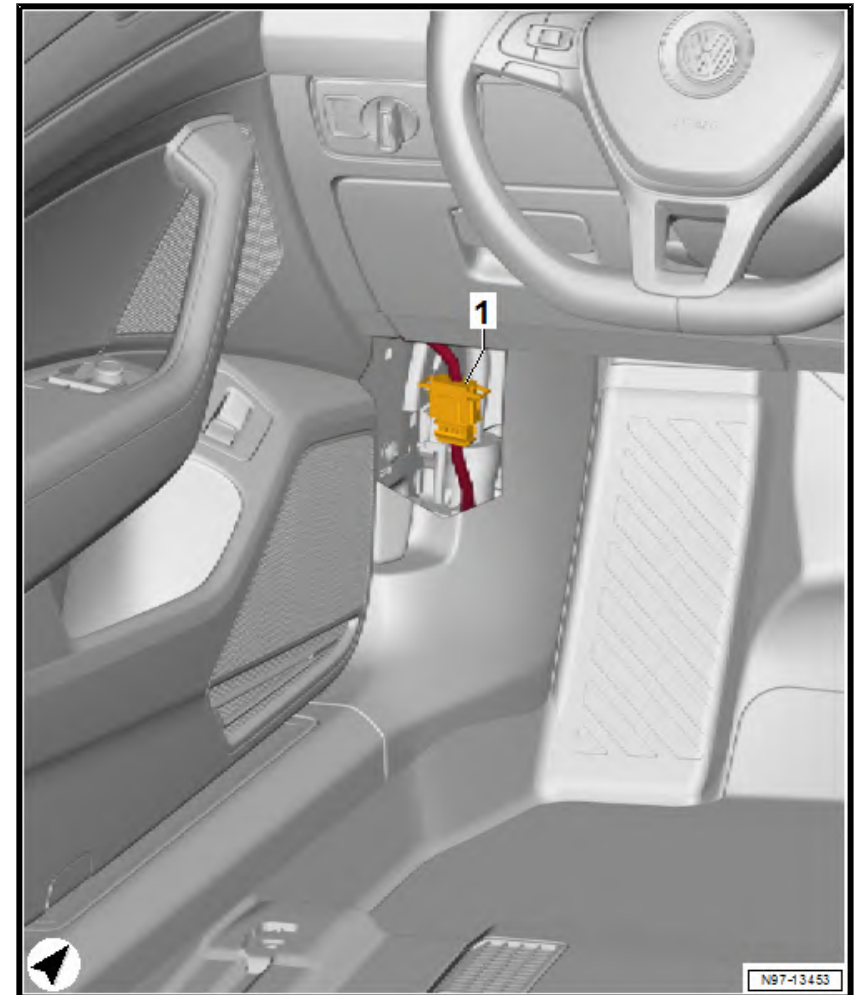




1.15 Coupling point on left A-pillar -TAL- , only vehicles with special equipment

1 -  
8-pin connector -T8bu- , black/ 8-pin connector -T8cq- ,  
black

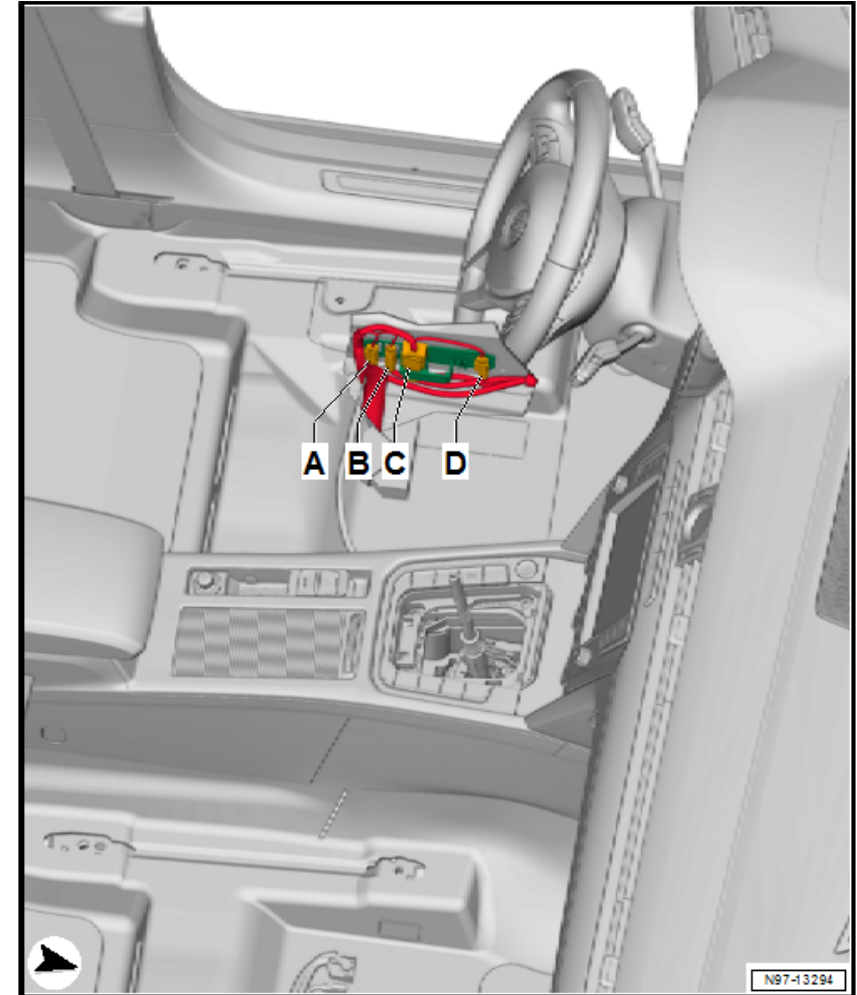
According to equipment



1.16 Coupling point for front left seat -TSVL-

1.16.1 Coupling point for front left seat -TSVL- , LHD models

- A -  
2-pin connector -T2hl- , black/ 2-pin connector -T2ri- , black  
 applicable up to May 2017
- B -  
3-pin connector -T3et- , yellow/ 3-pin connector -T3cl- , yellow
- C -  
10-pin connector -T10ae- , black/ 10-pin connector -T10m- , black  
 applicable up to May 2017
- C -  
17-pin connector -T17v- , red/ 17-pin connector -T17w- , red  
 applicable from May 2017
- D - not assigned





1.16.2 Coupling point for front left seat -TSVL- , RHD models

A -  
4-pin connector -T4hp- , black/ 4-pin connector -T4hq- , black

applicable up to May 2017

B - 3-pin connector -T3cl- , yellow/ 3-pin connector -T3et- , yellow

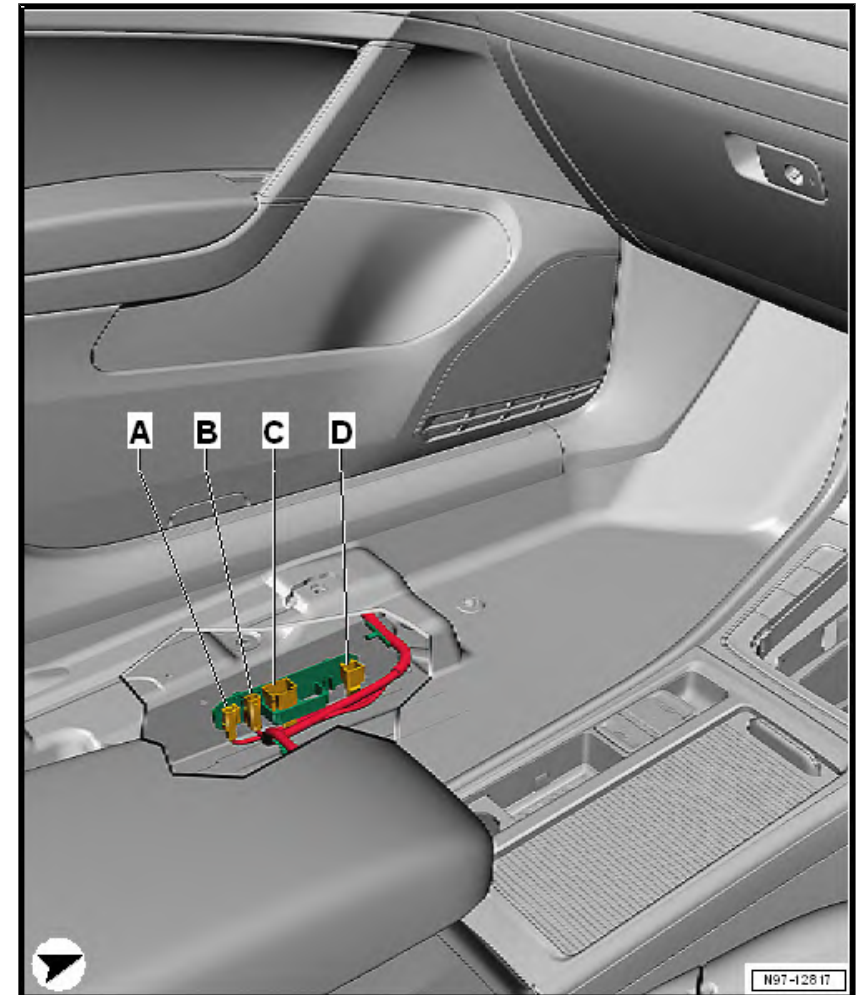
C - 10-pin connector -T10ae- , black/ 10-pin connector -T10m- , black

applicable up to May 2017

C - 17-pin connector -T17v- , red/ 17-pin connector -T17w- , red

applicable from May 2017

D - not assigned



**1.17 Coupling point in front left seat -TISVL-**

**A -**  
6-pin connector -T6df-, black/ 6-pin connector -T6w-, black

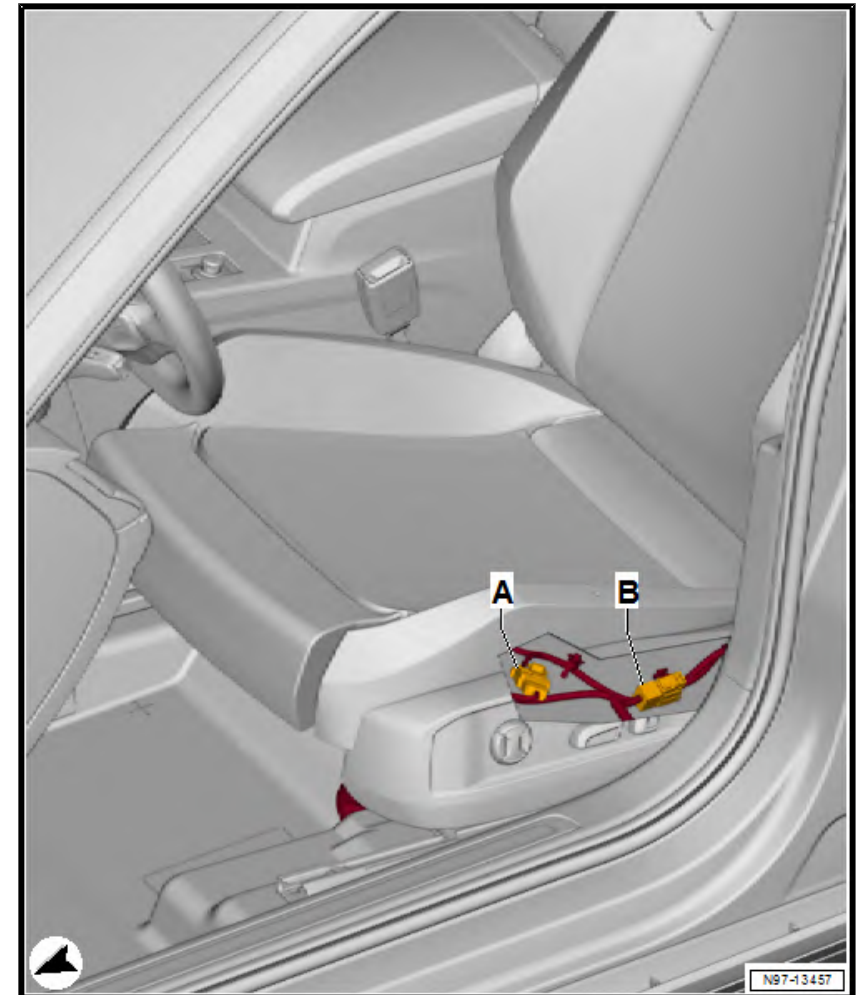
- According to equipment

**B -**  
8-pin connector -T8cf-, black/ 8-pin connector -T8cg-, black

- Only models with seat ventilation

**B -**  
4-pin connector -T4ie-, black/ 4-pin connector -T4if-, black

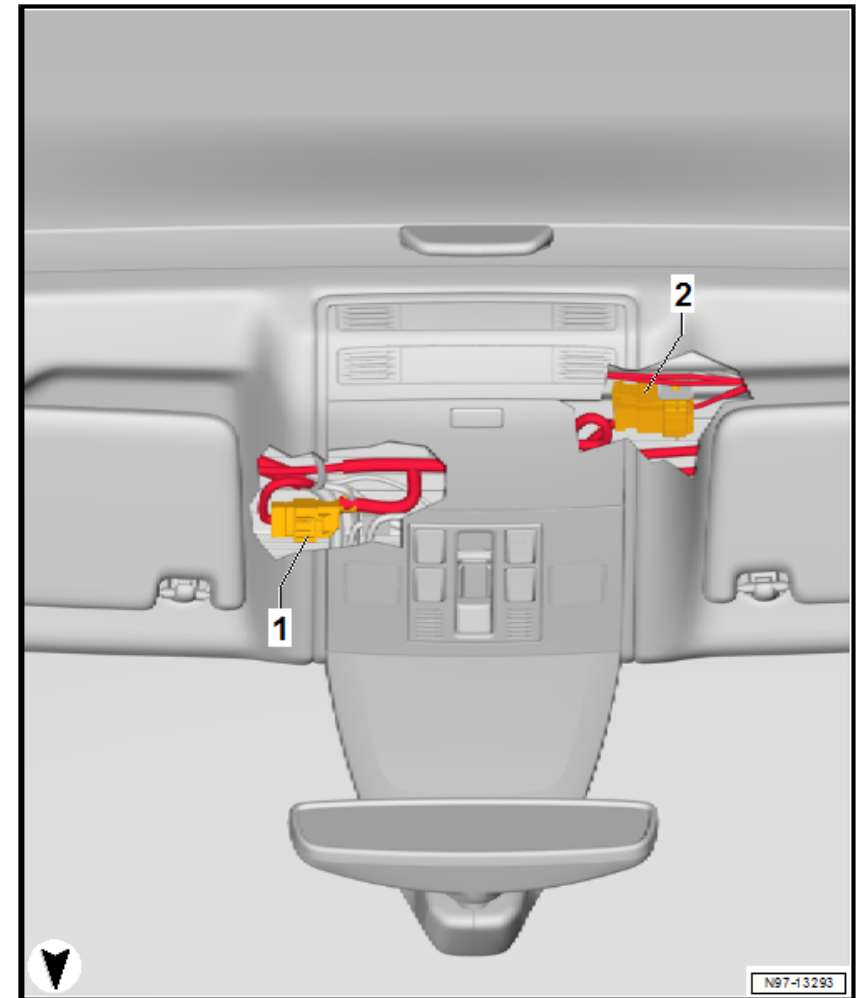
- According to equipment



1.18 Coupling point for roof -TH-

A -  
16-pin connector -T16- , black/ 16-pin connector -T16i-  
, black

B -  
6-pin connector -T6ar- , black/ 6-pin connector -T6ap-  
, black



1.19 Coupling point on right A-pillar -TAR- , on front right roof frame, only vehicles with special equipment

**A -**  
2-pin connector -T2sl- , black/ 2-pin connector -T2sm-  
, black

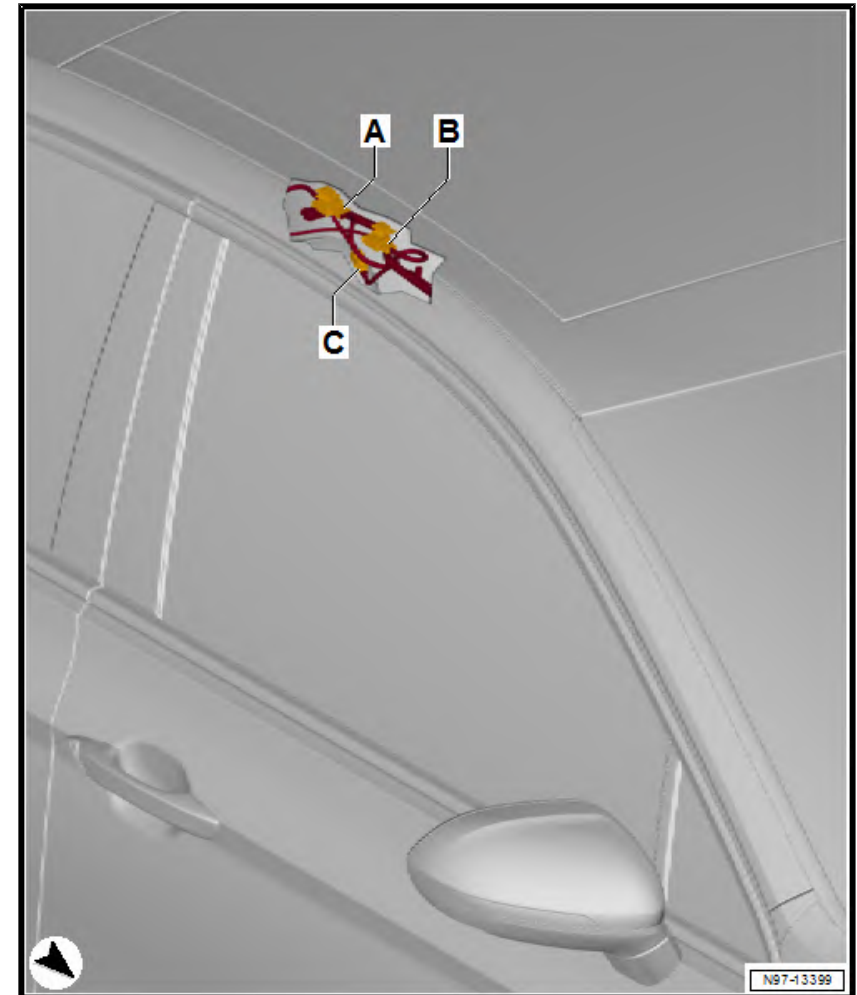
According to equipment

**B -**  
2-pin connector -T2pa- , black/ 2-pin connector -T2pz-  
, black

According to equipment

**C -**  
2-pin connector -T2sn- , yellow/ 2-pin connector -T2so-  
, yellow

According to equipment



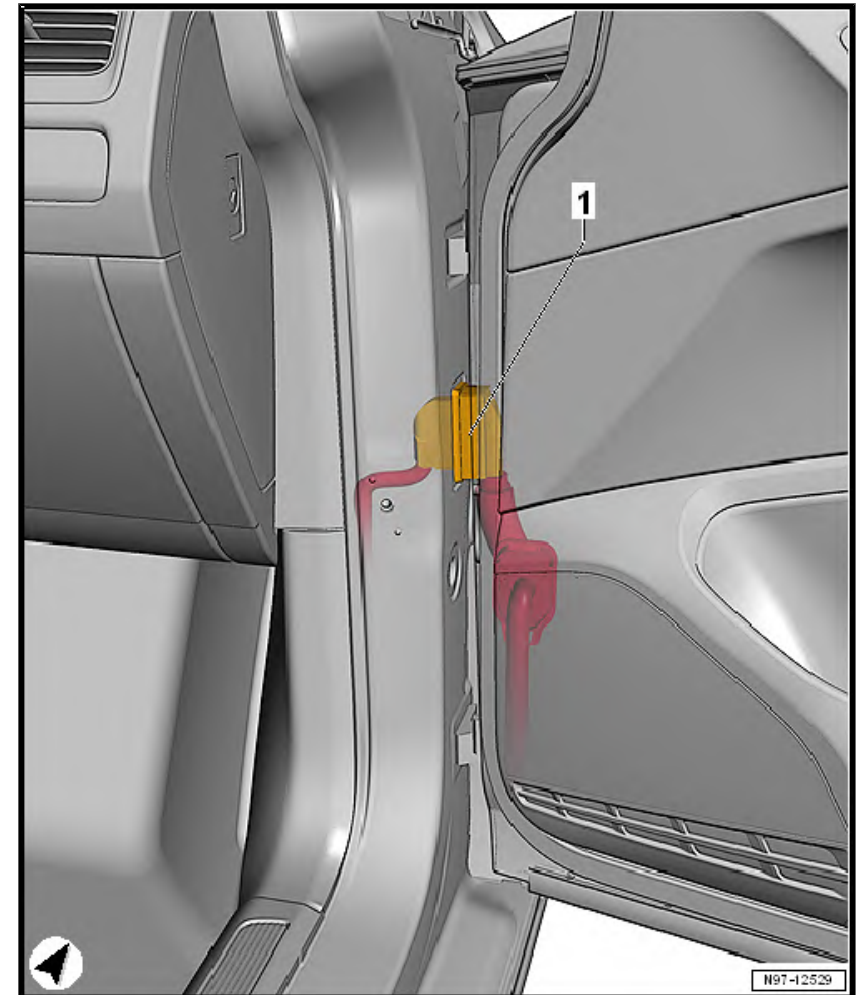
1.20 Coupling point on front right door -TTVR-

1 -  
27-pin connector -T27a- , black/ 27-pin connector -T27d-  
, black

- Only models with no overhead view camera

1 -  
29-pin connector -T29a- , white/ 29-pin connector -T29b-  
, white

- Only models with overhead view camera



**1.21 Coupling point in front right door -TTIVR-**

**A -**  
**8-pin connector -T8ah- , black/ 8-pin connector -T8v- , black**

- Coupling point for loudspeakers and ambient lighting
- Only models with ambient lighting, version 2

**A -**  
**2-pin connector -T2dy- , black/ 2-pin connector -T2rd- , black**

- Coupling point for loudspeakers
- Only models with no ambient lighting, version 2

**B -**  
**4-pin connector -T4av- , black/ 4-pin connector -T4hu- , black**

- Coupling point for loudspeakers
- Only models with Dynaudio sound system

**B - 2-pin connector -T2dy- , black/ 2-pin connector -T2rd- , black**

- Coupling point for loudspeakers
- Only models with no Dynaudio sound system

**C -**  
**5-pin connector -T5af- , blue**

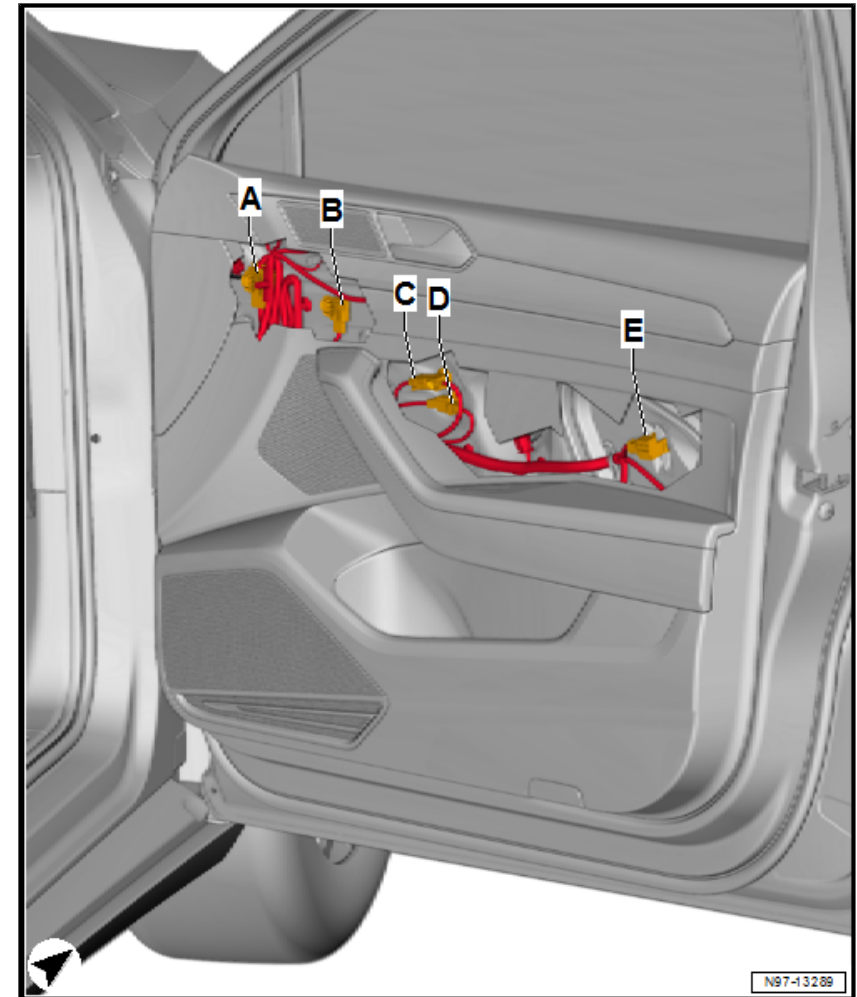
- Coupling point for right overhead view camera -R245-
- Only models with overhead view camera

**D -**  
**2-pin connector -T2ea- , black**

- Coupling point for lane change assist warning lamp in right exterior mirror -K311-
- Only models with lane change assist

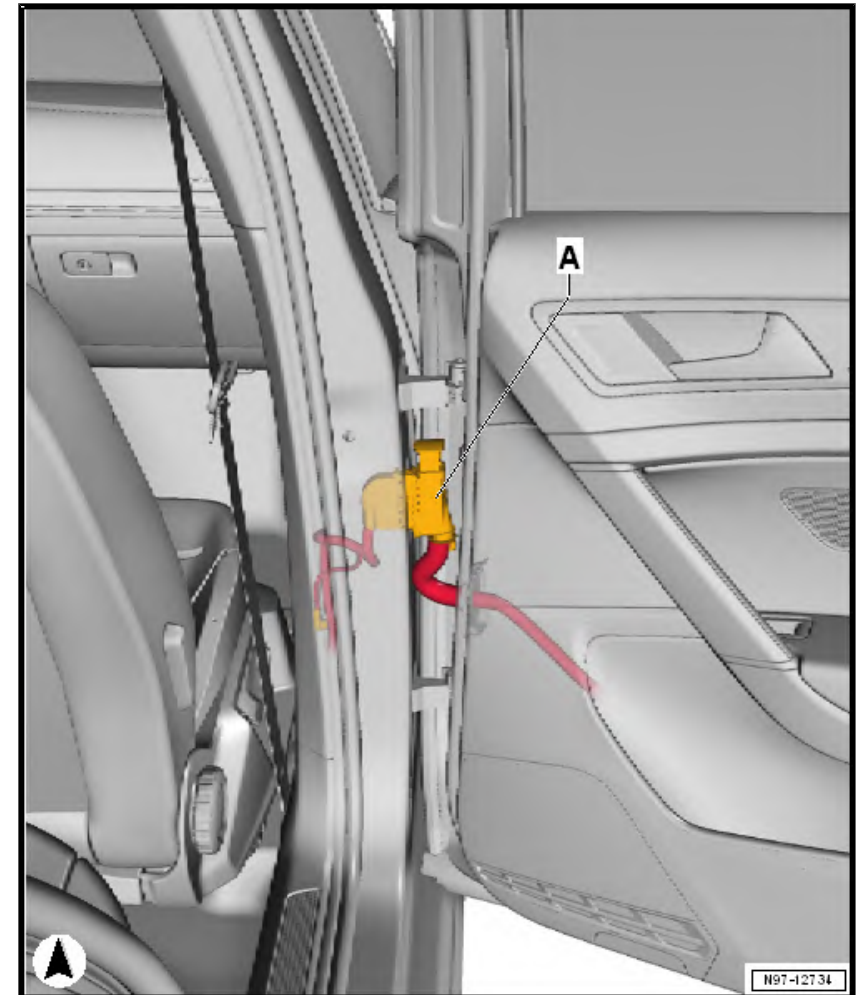
**E -**  
**4-pin connector -T4aw- , black/ 4-pin connector -T4hu- , black**

- Coupling point for driver exterior door handle -EX6-
- Only models with entry and start authorisation



1.22 Coupling point on rear right door -TTHR-

A -  
27-pin connector -T27c- , black/ 27-pin connector -T27f-  
, black





**1.23 Coupling point in rear right door -TTIHR-**

**A -**  
2-pin connector -T2eg- , black/ 2-pin connector -T2fp- , black

- Coupling point for loudspeakers
- Only models with Dynaudio sound system

**B -**  
8-pin connector -T8z- , black/ 8-pin connector -T8aj- , black

- Coupling point for loudspeakers and ambient lighting
- Only models with ambient lighting, version 2

**C -**  
4-pin connector -T4br- , black/ 4-pin connector -T4hw- , black

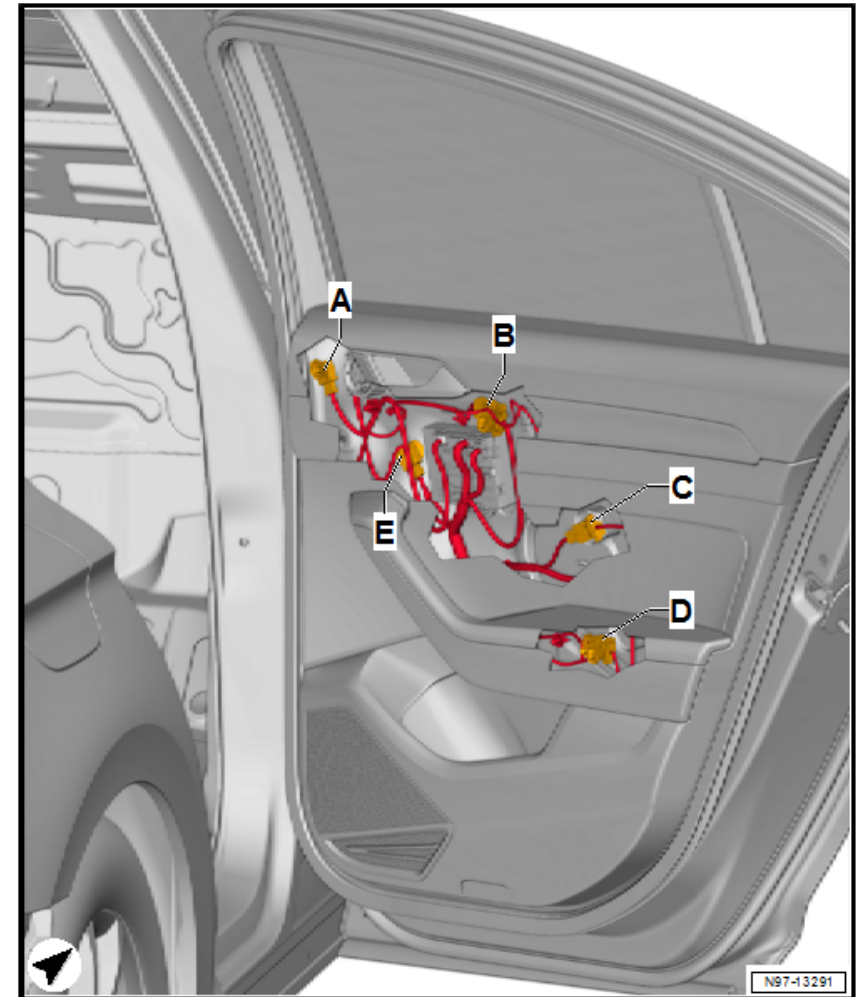
- Only models with entry and start authorisation

**D -**  
4-pin connector -T4bf- , black/ 4-pin connector -T4is- , black

- Coupling point for rear right window regulator motor -V27-
- Only models with rear door control unit

**E - 2-pin connector -T2eg- , black/ 2-pin connector -T2fp- , black**

- Coupling point for loudspeakers
- According to equipment

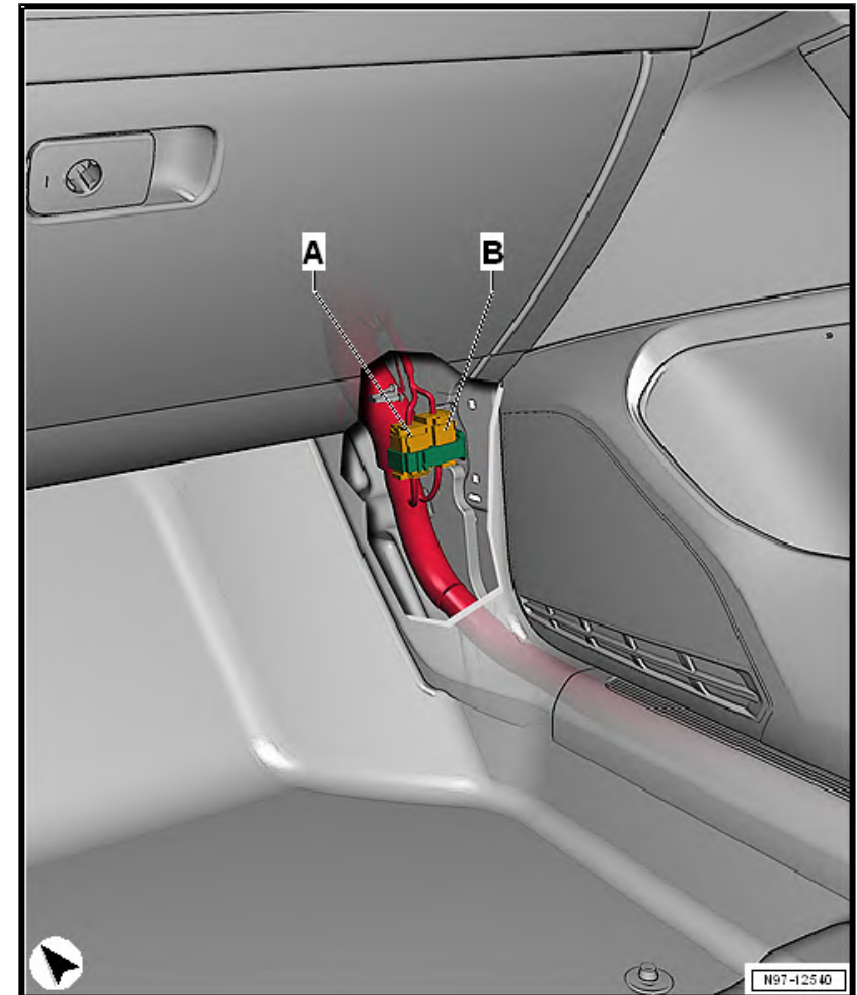




1.24 Coupling point in interior, below right -TIUR-

A -  
17-pin connector -T17o- , brown/ 17-pin connector -T17g-  
, brown

B -  
17-pin connector -T17f- , black/ 17-pin connector -T17n-  
, black



1.25 Coupling point for front right seat -TSVR-

1.25.1 Coupling point for front right seat -TSVR- , LHD models

A - not assigned

B - 10-pin connector -T10af- , black/ 10-pin connector -T10q- , black

applicable up to May 2017

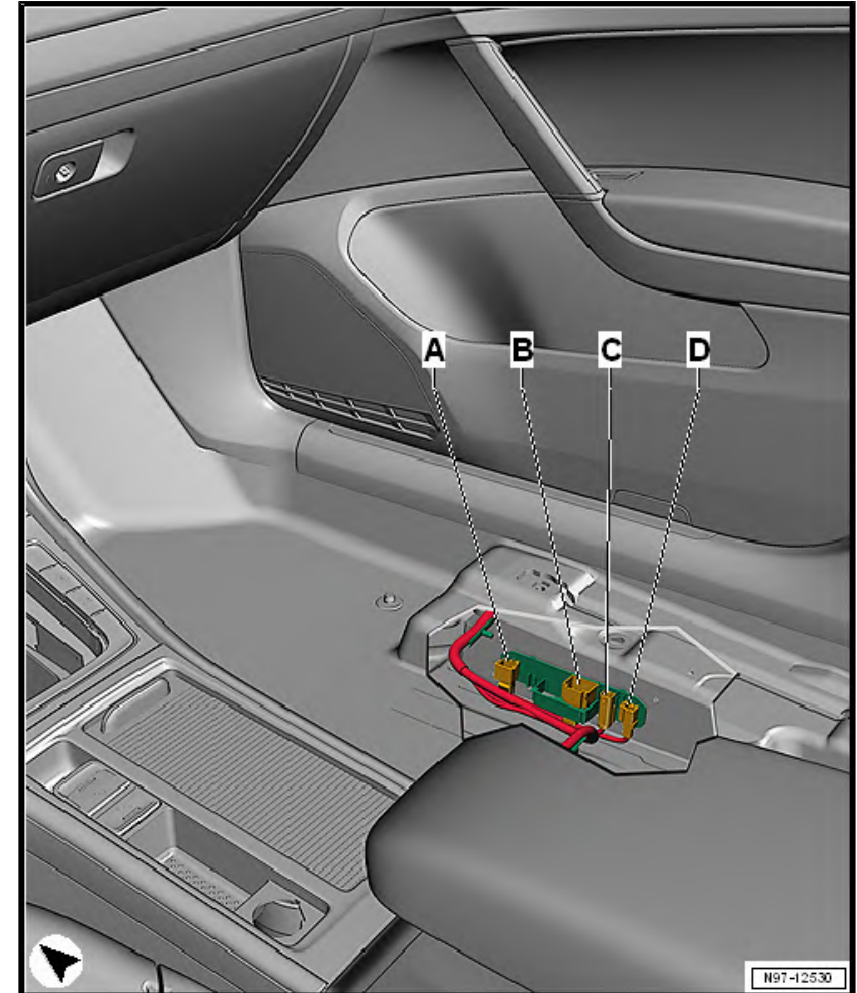
B - 17-pin connector -T17x- , red/ 17-pin connector -T17y- , red

applicable from May 2017

C - 3-pin connector -T3ew- , yellow/ 3-pin connector -T3cm- , yellow

D - 4-pin connector -T4cr- , black/ 4-pin connector -T4du- , black

applicable up to May 2017



### 1.25.2 Coupling point for front right seat -TSVR- , RHD models

**A** - 10-pin connector -T10af- , black/ 10-pin connector -T10q- , black

applicable up to May 2017

**A** - 17-pin connector -T17x- , red/ 17-pin connector -T17y- , red

applicable from May 2017

**B** - 3-pin connector -T3ew- , yellow/ 3-pin connector -T3cm- , yellow

**C** -  
2-pin connector -T2qs- , black/ 2-pin connector -T2rl- , black

applicable up to May 2017



**1.26 Coupling point in front right seat -TISVR-**

**A -**  
8-pin connector -T8ch- , black/ 8-pin connector -T8ci- ,  
black

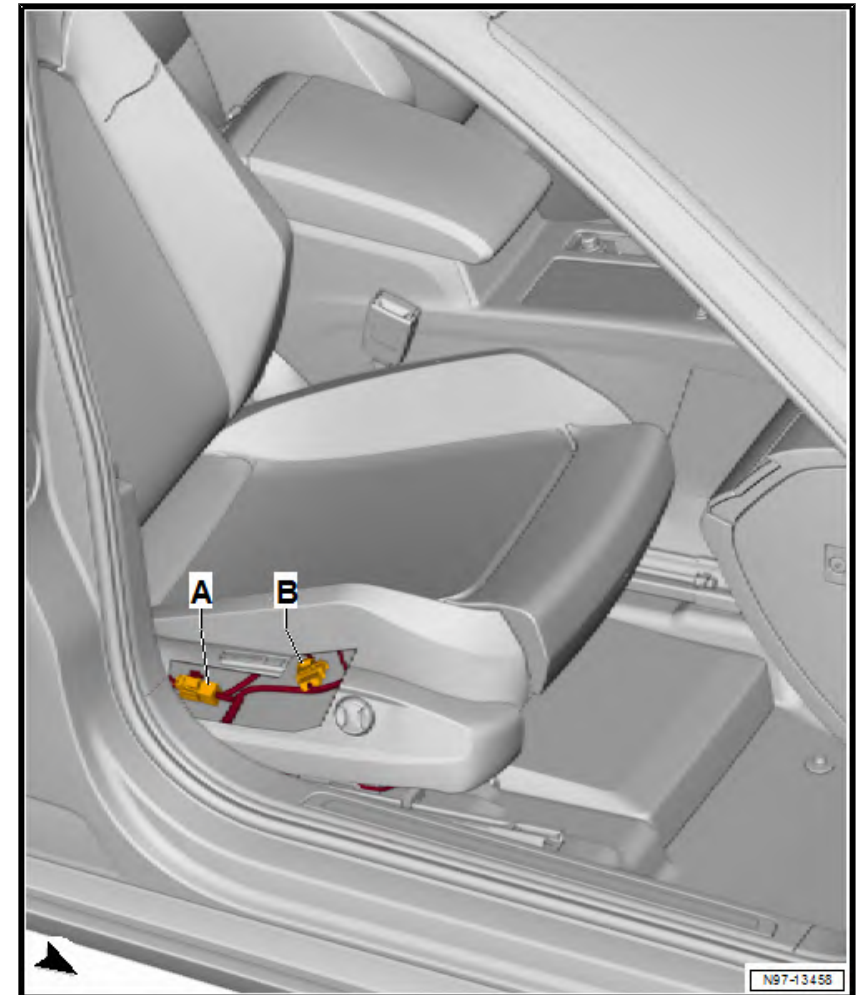
- Only models with seat ventilation

**A -**  
4-pin connector -T4il- , black/ 4-pin connector -T4id-  
, black

- According to equipment

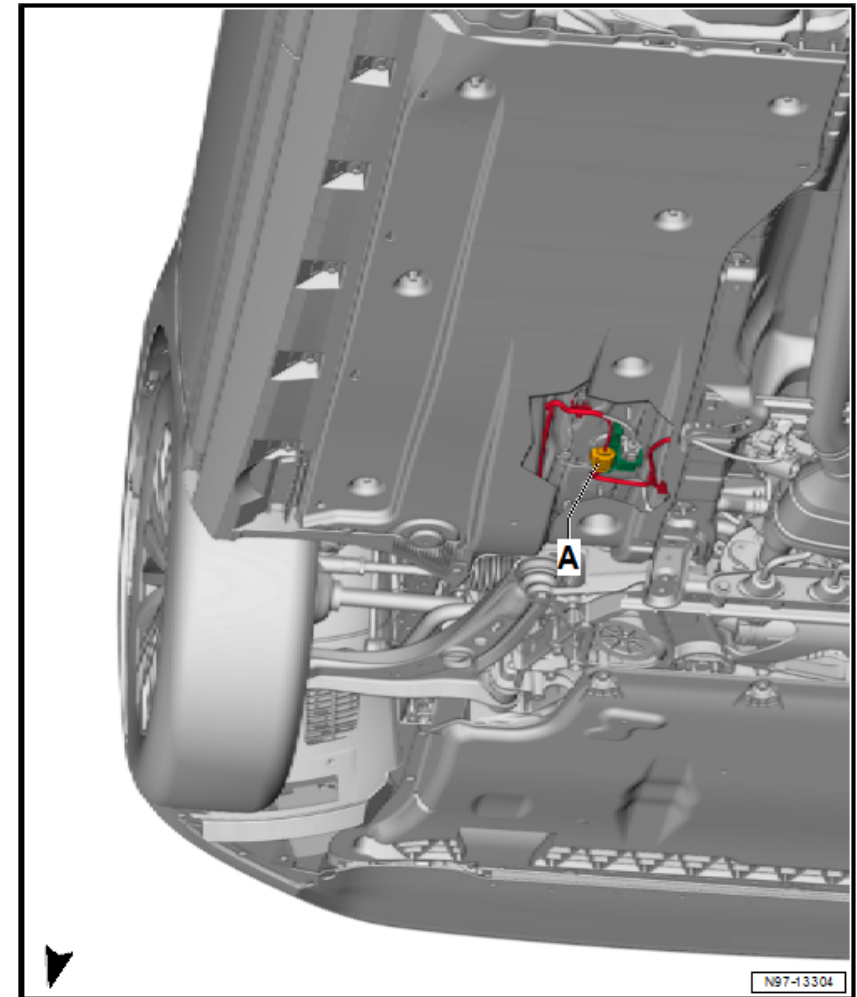
**B -**  
6-pin connector -T6ac- , black/ 6-pin connector -T6ai-  
, black

- According to equipment



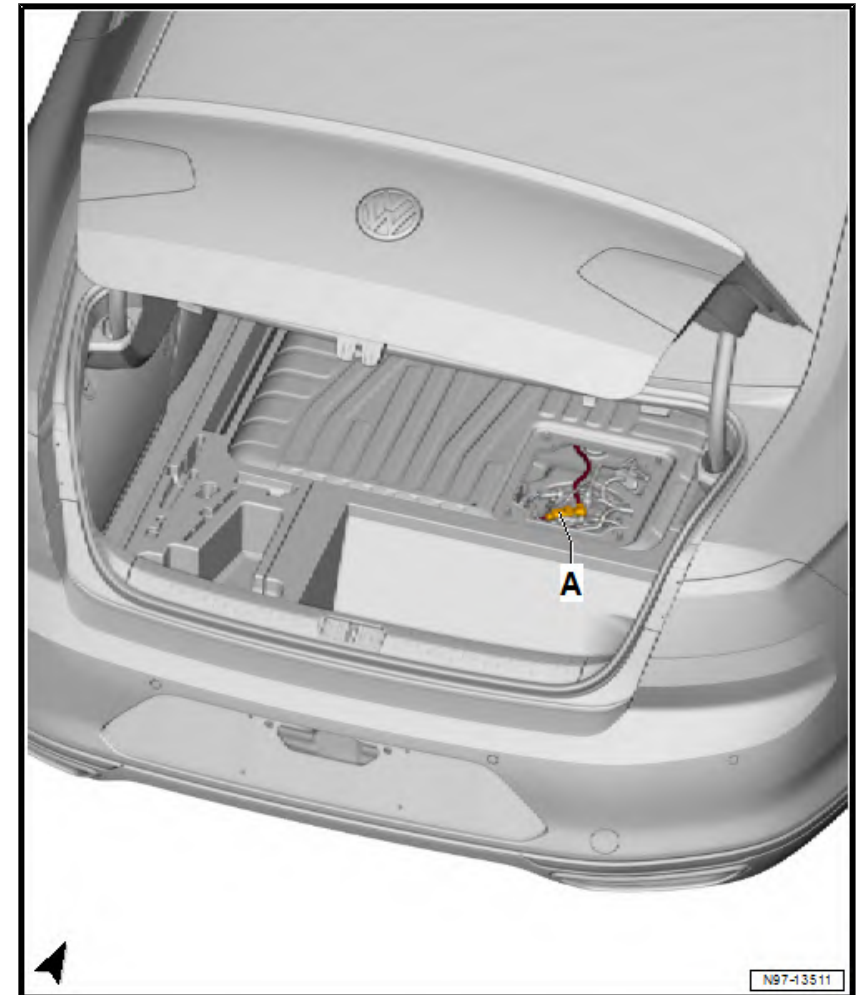
1.27 Coupling point for exhaust flap control unit -TAGK-

A -  
5-pin connector -T5br- , brown/ 5-pin connector -T5t-  
, brown



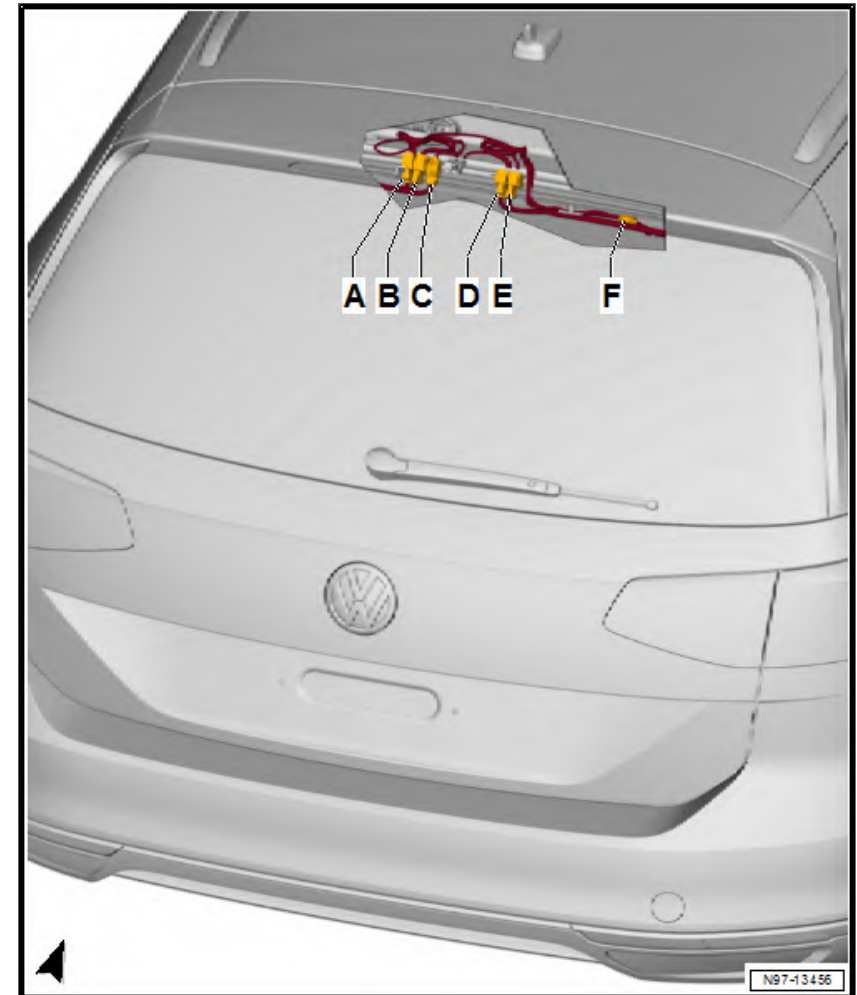
1.28 Coupling point in luggage compartment, centre -THRM-, only models with hybrid drive system

A -  
4-pin connector -T4fu-, black/ 4-pin connector -T4ir-  
, black



1.29 Coupling point on rear lid -THK- , estate

- A -  
10-pin connector -T10e- , black/ 10-pin connector -T10x- , black
- B -  
10-pin connector -T10aa- , brown/ 10-pin connector -T10c- , brown
- C -  
10-pin connector -T10ad- , black/ 10-pin connector -T10d- , black
- D -  
10-pin connector -T10b- , black/ 10-pin connector -T10y- , black
- E -  
10-pin connector -T10f- , brown/ 10-pin connector -T10z- , brown
- F -  
2-pin connector -T2ds- , green/ 2-pin connector -T2ii- , green  
 Only models with no overhead view camera
- F -  
5-pin connector -T5ad- , blue/ 5-pin connector -T5bg- , blue  
 Only models with overhead view camera





1.30 Coupling point in luggage compartment, left -THRL-

1.30.1 Coupling point in luggage compartment, left -THRL- , saloon

A -  
8-pin connector -T8ad- , black/ 8-pin connector -T8as- ,  
black

- Only models with trailer detection
- Connector for estate => [page 36](#)

B -  
4-pin connector -T4ai- , black/ 4-pin connector -T4ee-  
, black

C -  
3-pin connector -T3bk- , brown/ 3-pin connector -T3cw-  
, brown

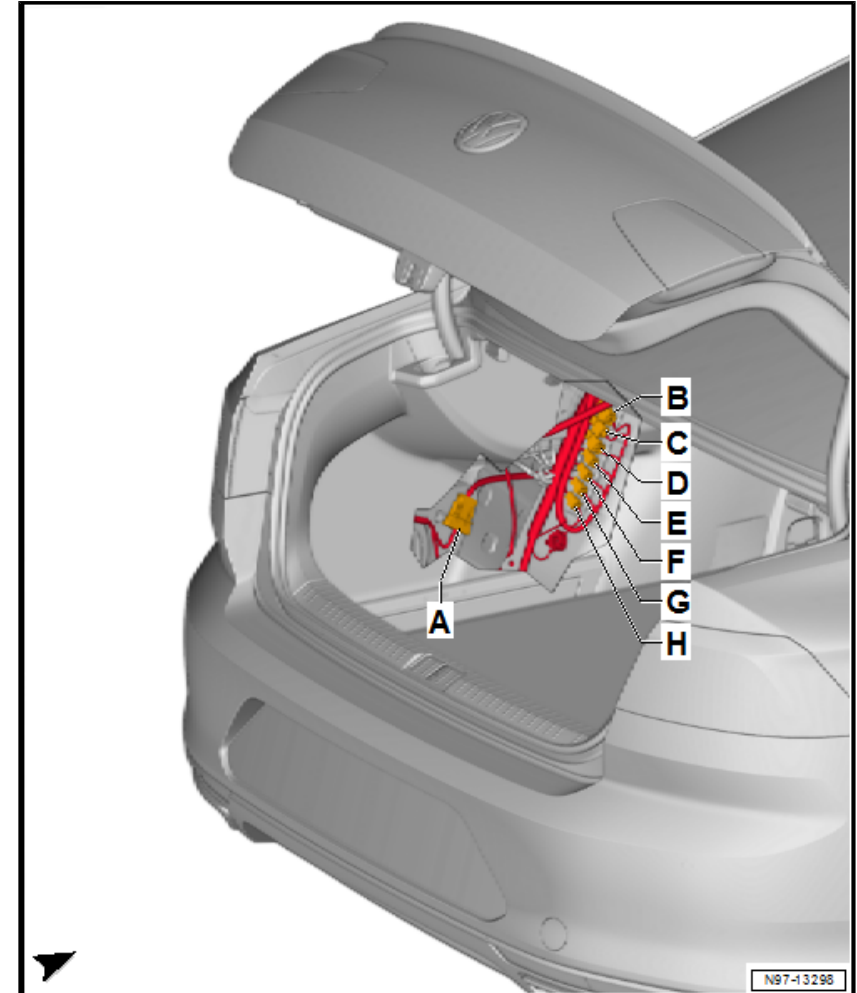
D -  
3-pin connector -T3bl- , black/ 3-pin connector -T3cv-  
, black

E -  
4-pin connector -T4ag- , blue/ 4-pin connector -T4ef-  
, blue

F -  
4-pin connector -T4ap- , red/ 4-pin connector -T4eg-  
, red

G -  
4-pin connector -T4aj- , brown/ 4-pin connector -T4ed-  
, brown

H -  
4-pin connector -T4ak- , black/ 4-pin connector -T4ec-  
, black

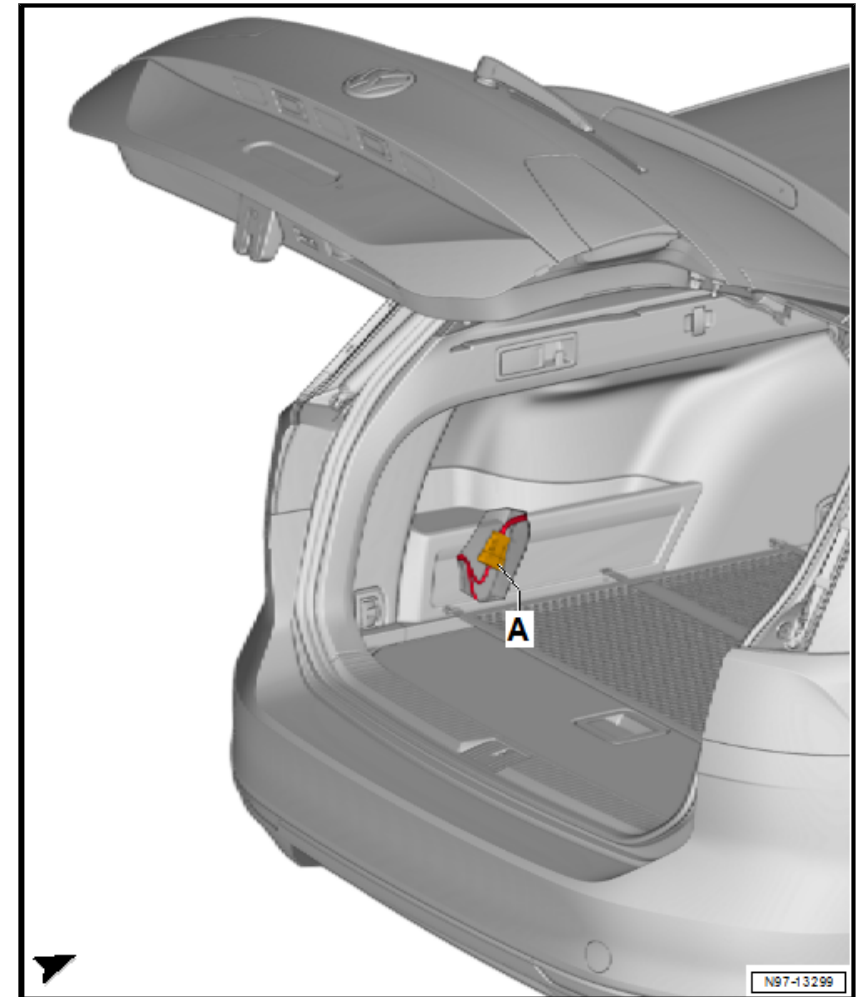




1.30.2 Coupling point in luggage compartment, left -THRL-, estate

A - 8-pin connector -T8ad-, black/ 8-pin connector -T8as-, black

- Only models with trailer detection



**1.31 Coupling point in luggage compartment, right -THRR-**

**1.31.1 Coupling point in luggage compartment, right -THRR- , saloon**

**A -**  
 10-pin connector -T10at- , black/ 10-pin connector -T10k- , black

- Only models with parking aid
- Connector for estate => [page 38](#)

**A -**  
 3-pin connector -T3al- , black/ 3-pin connector -T3cf- , black

- Only models with no parking aid
- Connector for estate => [page 38](#)

**B -**  
 4-pin connector -T4hx- , black/ 4-pin connector -T4bu- , black

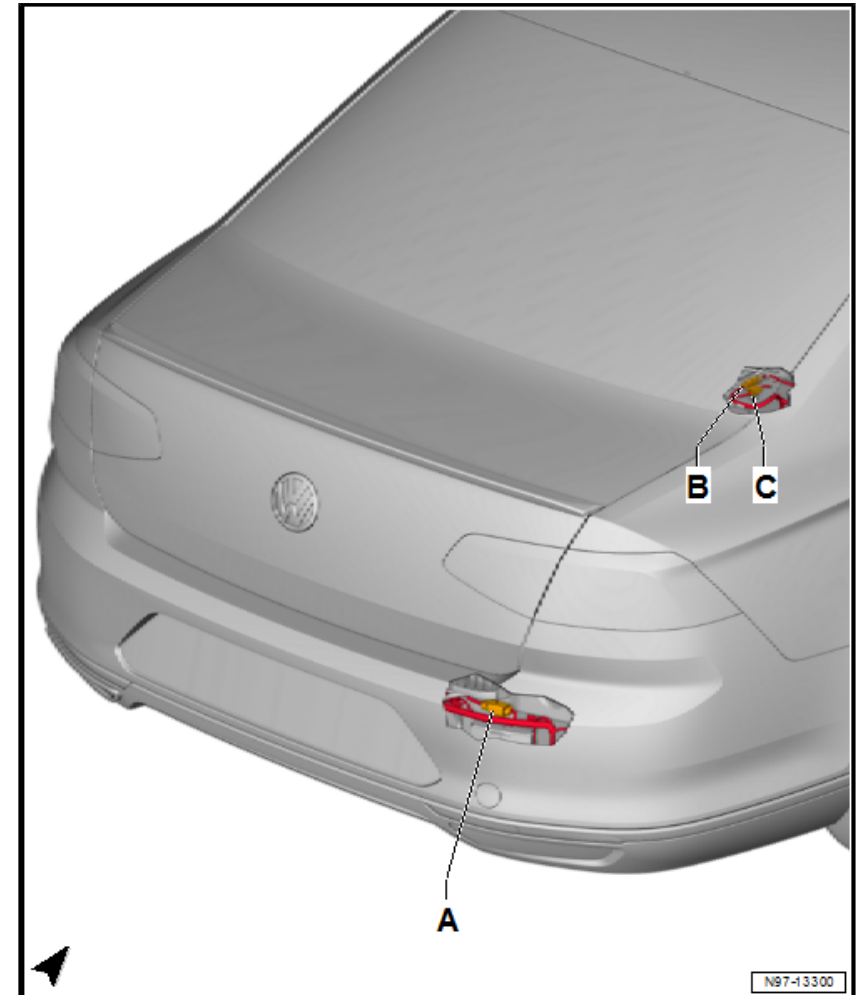
- Only models with reversing camera/overhead view camera

**C -**  
 5-pin connector -T5ac- , blue/ 5-pin connector -T5bl- , blue

- Only models with overhead view camera

**C -**  
 2-pin connector -T2do- , green/ 2-pin connector -T2iw- , green

- Only models with no overhead view camera



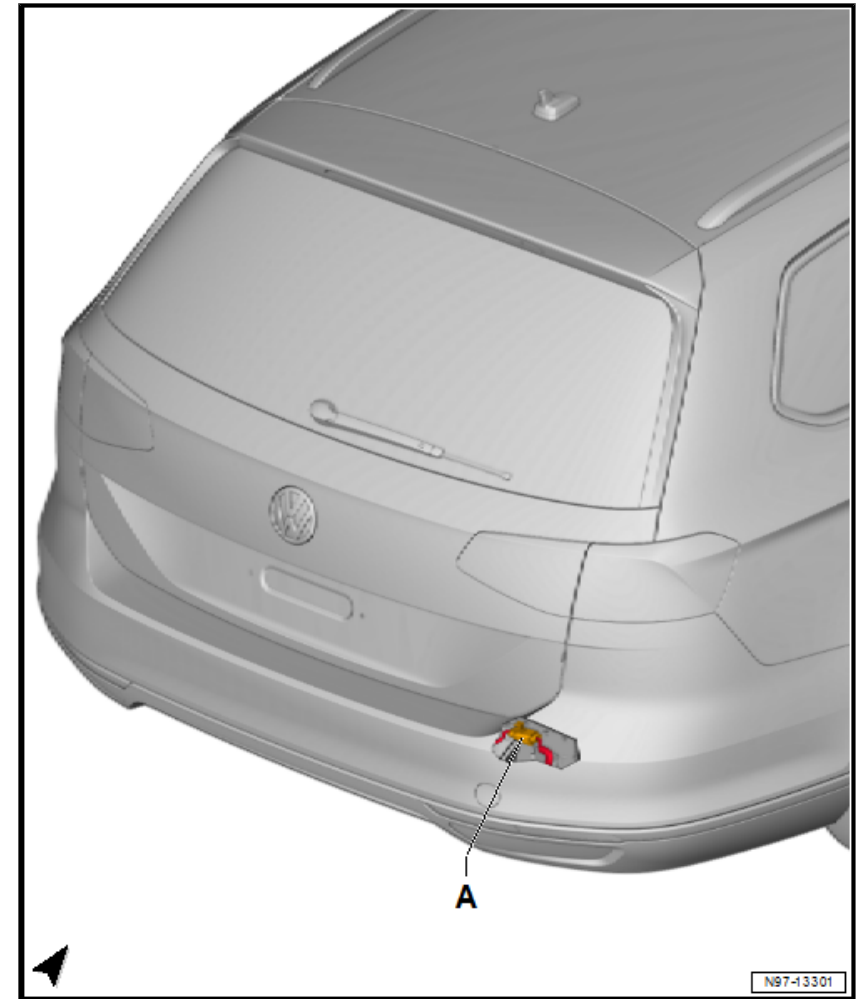
1.31.2 Coupling point in luggage compartment, right -THRR- , estate

A - 10-pin connector -T10at- , black/ 10-pin connector -T10k- , black

- Only models with parking aid

A - 3-pin connector -T3dl- , black/ 3-pin connector -T3cf- , black

- Only models with no parking aid



1.32 Coupling point in high-voltage battery -TIHV-

A -  
10-pin connector -T10bo- , black/ 10-pin connector -T10bp-  
, black

B -  
10-pin connector -T10bq- , black/ 10-pin connector -T10br-  
, black

